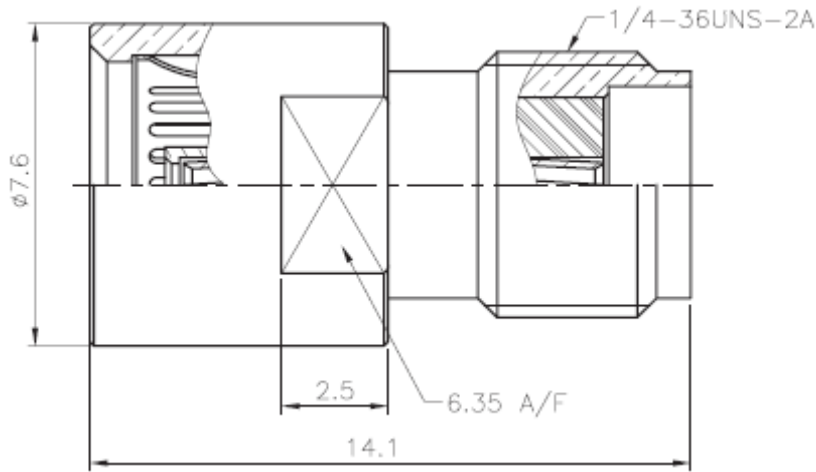




**Technical Drawing**



**Odering Information**

Serie	-	No Function	Impedance (not Specified)	No Function	RoHS	Packing
<b>T55G2032</b>	-	<b>XX</b>	<b>00</b>	<b>XX</b>	<b>R</b>	<b>BU</b>
EDCON-Serie	-	XX	00 = 00 Ω	XX	N = no RoHS conform  R = RoHS conform	BU = Bulk Ware  IV = Individual Packing

<b>Jack / Jack Adaptor</b>	
Part No.:	<b>T55G2032</b>
Customer:	

DRW:	Dong	CHKD	Chang	MATL:	Chui	DATE	27.09.2010
APPD:	Ping			FINISH	Hui	Sheet	1 from 1

