

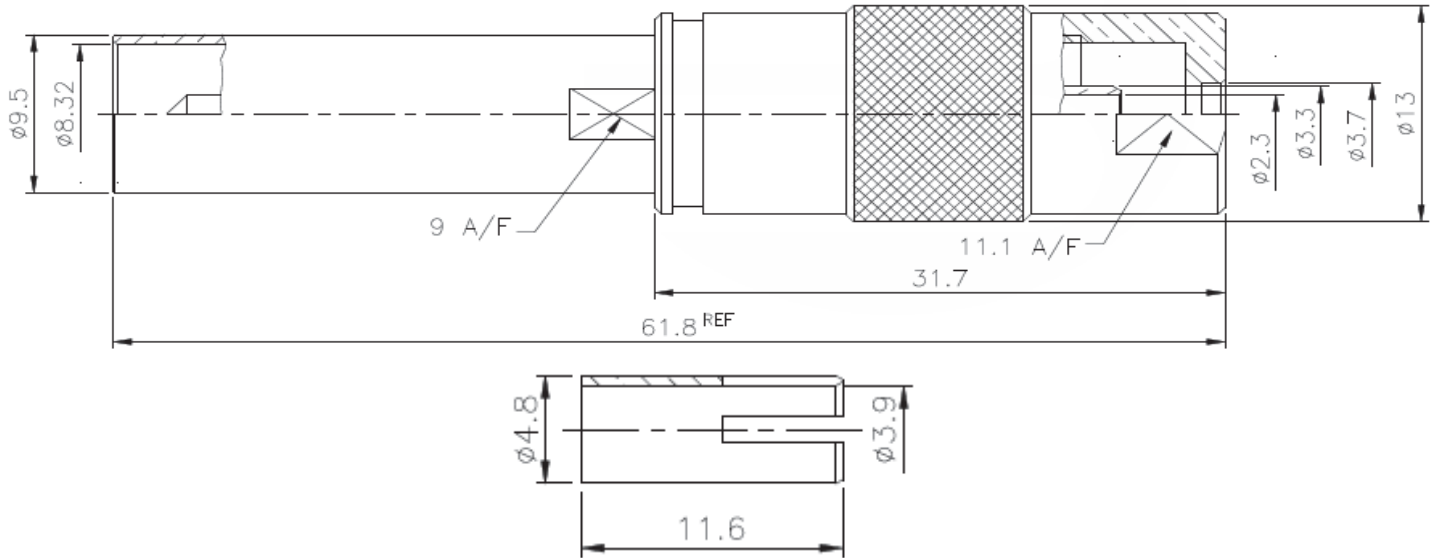


General

Coaxial Patching series provide the maximum flexibility to reroute signals and are used in shielded cable. Video and RF applications.

These jacks may be intermixed on the same panel provided the mechanical limitations are recognized.

Technical Drawing



Odering Information

Serie	-	Cable Group	Impedance	No Function	RoHS	Packing
T55E2002	-	E6	75	XX	R	BU
EDCON-Serie	-	E6 = 735A	75 = 75 Ω	XX	N = no RoHS conform R = RoHS conform	BU = Bulk Ware IV = Individual Packing

**Cable, Crimp
Standard Coax Patching**

Part No.: **T55E2002**

Customer:

DRW:	Dong	CHKD	Chang	MATL:	Chui	DATE	03.05.2010
APPD:	Ping			FINISH	Hui	Sheet	1 from 1