

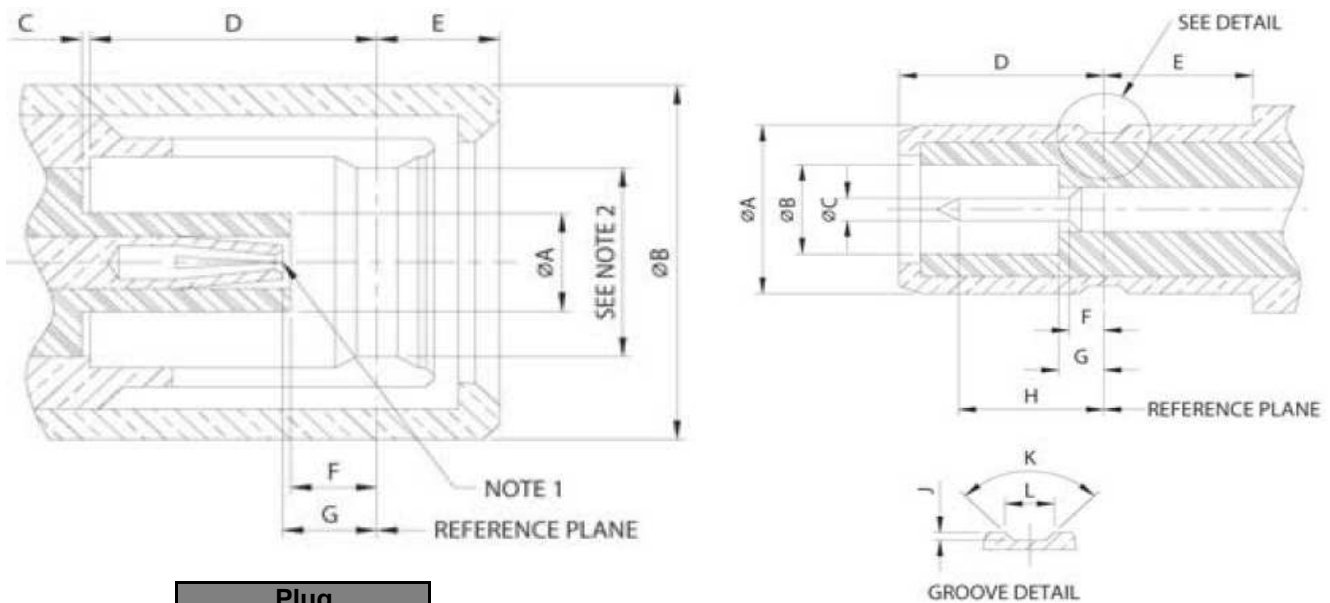


General

SSMB Series in a microminiature connectors with snap-on mating (smaller version of SMB series), designed to MIL-PRF-39012 requirements. The design permits rapid connection and disconnection in small spaces, even in inaccessible locations.

SSMB series provides excellent electrical performance in a microminiature footprint. While the snap-on mating interface allows quick installation and dense packaging, the excellent electrical performance of the SSMB series allows it to be used in many applications as an alternative to larger connectors like SMAs.

INTERFACE MATING DIMENSIONS



| Plug | | |
|--------|------|------|
| Letter | mm | |
| | min. | max. |
| A | --- | 1.34 |
| B | --- | 4.82 |
| C | 0.00 | --- |
| D | 3.10 | --- |
| E | --- | 1.78 |
| F | 0.84 | --- |
| G | 0.84 | --- |

| Jack | | |
|--------|------|------|
| Letter | mm | |
| | min. | max. |
| A | --- | 2.67 |
| B | 1.37 | --- |
| C | 0.35 | 0.38 |
| D | --- | 3.10 |
| E | 1.91 | --- |
| F | --- | 0.84 |
| G | --- | 0.84 |
| H | 1.91 | --- |
| J | 0.05 | 0.15 |
| K | 89 | 91 |
| L | 0.71 | 0.74 |

Note: I.D. to meet VSWR and Contact Resistance when mated with 0.35/0.38 mm dia. pin.

| | |
|-------------------------------|-----------------|
| Cable, Solder SSMB | |
| Part No.: | T55E1007 |
| Customer: | |

| | | | | | | | |
|-------|------|------|-------|--------|------|-------|------------|
| DRW: | Dong | CHKD | Chang | MATL: | Chui | DATE | 04.12.2009 |
| APPD: | Ping | | | FINISH | Hui | Sheet | 1 from 3 |



Specifications

| <i>Electrical</i> | | |
|---------------------------------|----------------|-----------------------|
| Impedance | 50 Ω | |
| Frequency Range | 0 - 4 GHz | |
| Working Voltage | 250 VRMS max. | |
| Dielectric Withstanding Voltage | 750 VRMS max. | |
| VSWR | Straight | 1.3+0.02 F (GHz) max. |
| | Right Angle | 1.3+0.03 F (GHz) max. |
| Contact Resistance | Center Contact | 5 mΩ max. |
| | Outer Contact | 2.5 mΩ max. |
| Insulator Resistance | 1000 MΩ min. | |

| <i>Material</i> | | |
|-------------------|--------------------------------------|----------------------|
| Parts Name | Material | Finish |
| Body, Metal Parts | Brass per QQ-B-626 | Gold 3 micro-inches |
| Center Contacts | Male: Brass per QQ-B-626 | Gold 30 micro-inches |
| | Female: Berylium copper per QQ-C-530 | Gold 30 micro-inches |
| Insulators | Teflon | None |
| Crimp Ferrules | Annealed Brass | Gold 3 micro-inches |

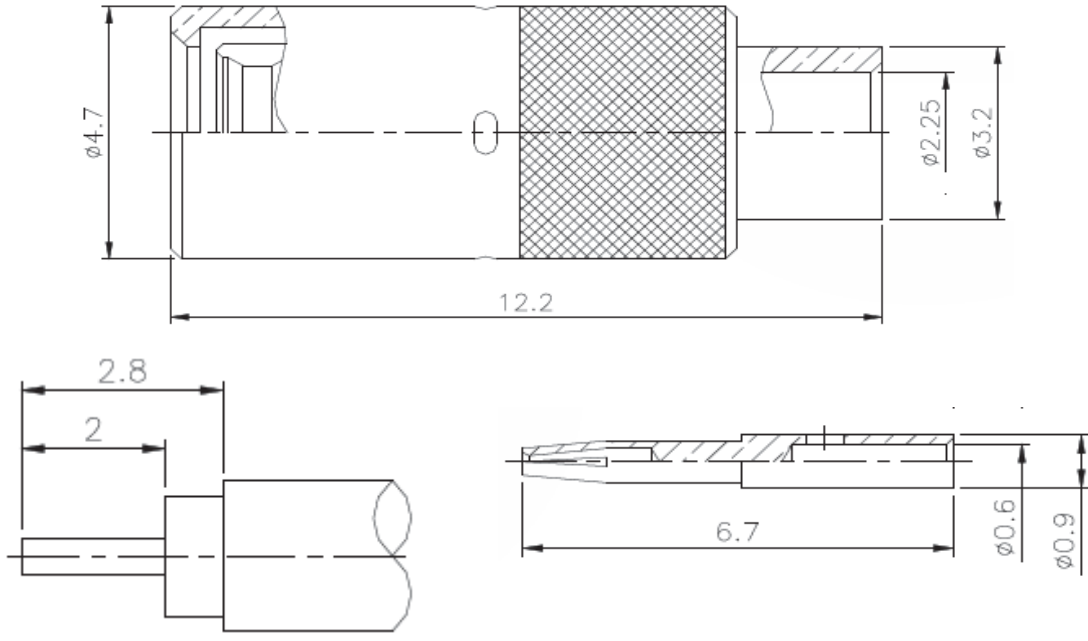
| <i>Mechanical & Environmental</i> | |
|---------------------------------------|-------------------------------------|
| Engagement Force | 6 lbs. max. |
| Disengagement Force | 6 lbs. max. |
| Coupling Nut Retention | Not applicable |
| Coupling Proof Torque | Not applicable |
| Contact Retention | 2 lbs. min. |
| Durability (Mating) | 500 cycles |
| Temperature Range | -65°C ~ 165°C |
| Vibration | MIL-STD-202 Method 204 Test Cond. B |
| Salt Spray | MIL-STD-202 Method 101 Test Cond. B |
| Thermal Shock | MIL-STD-202 Method 107 Test Cond. B |

| | |
|-------------------------------|-----------------|
| Cable, Solder SSMB | |
| Part No.: | T55E1007 |
| Customer: | |

| | | | | | | | |
|-------|------|------|-------|--------|------|-------|------------|
| DRW: | Dong | CHKD | Chang | MATL: | Chui | DATE | 04.12.2009 |
| APPD: | Ping | | | FINISH | Hui | Sheet | 2 from 3 |



Technical Drawing



Odering Information

| Serie | - | Cable Group | Impedance | No Function | RoHS | Packing |
|-----------------|---|---|---------------------|-------------|---|---|
| T55E1007 | - | C5 | 50 | XX | R | BU |
| EDCON-Serie | - | C5 = RG-405/U SEMI-RIGID .085", .086" | 50 = 50 Ω | XX | N = no RoHS conform R = RoHS conform | BU = Bulk Ware IV = Individual Packing |

| | |
|-------------------------------|-----------------|
| Cable, Solder SSMB | |
| Part No.: | T55E1007 |
| Customer: | |

| | | | | | | | |
|-------|------|------|-------|--------|------|-------|------------|
| DRW: | Dong | CHKD | Chang | MATL: | Chui | DATE | 04.12.2009 |
| APPD: | Ping | | | FINISH | Hui | Sheet | 3 from 3 |