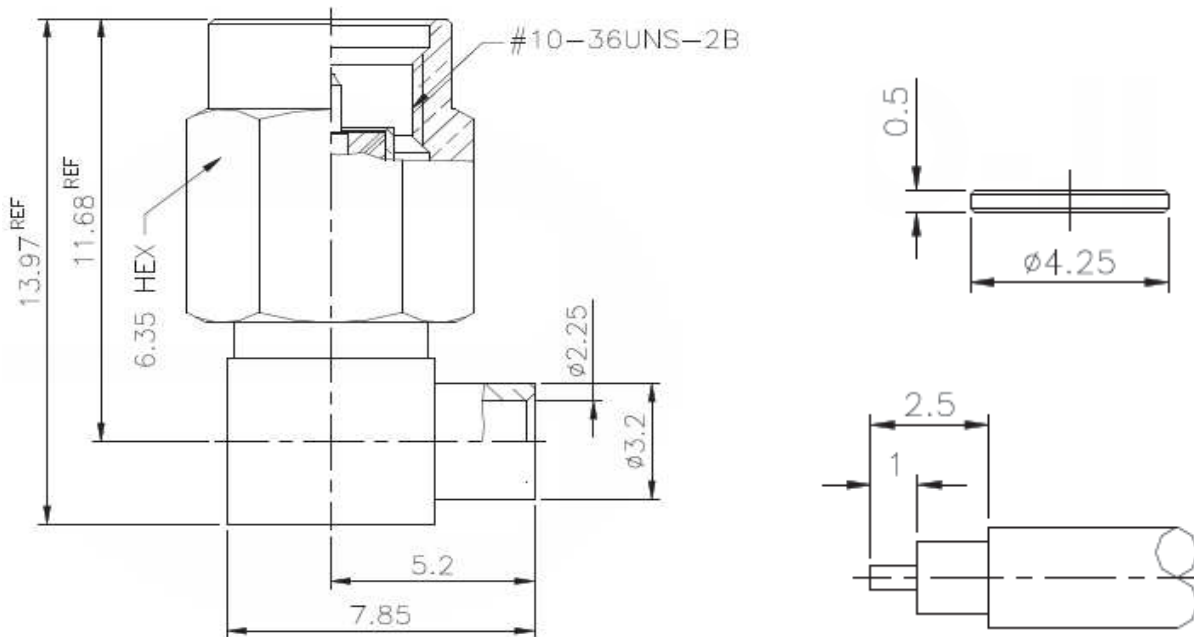




General

RCA connectors, sometime known as phono plug and jack, are designed for use with coaxial cable for frequency ranging from the very lowest up to several megahertz. RCA connectors are suitable for audio-frequency (AF) applications and also used in radio-frequency (RF) systems at low and medium frequencies. RCA connectors are designed for cables with small outside diameters and are intended for indoor use only.

Technical Drawing



Odering Information

Serie	-	Cable Group	Impedance	No Function	RoHS	Packing
T55D2001	-	A5	50	XX	R	BU
EDCON-Serie	-	A5 = RG-59/U	50 = 50 Ω	XX	N = no RoHS conform R = RoHS conform	BU = Bulk Ware IV = Individual Packing

**Crimp Plug
RCA**

Part No.: **T55D2001**

Customer:

DRW:	Dong	CHKD	Chang	MATL:	Chui	DATE	24.06.2010
APPD:	Ping			FINISH	Hui	Sheet	1 from 1