



General

UHF series are economical and all purpose connectors. They are designed with a non-constant impedance for use at comparatively low voltage & low frequency applications including: C.B. communication systems, ground control apparatus, ship to shore communications and Mobile radio equipment hookups between antenna and transmitter or receiver.

Specifications

<i>Electrical</i>		
Impedance	50 Ω (Non-constant)	
Frequency Range	0 - 200 MHz	
Working Voltage	500 VRMS max.	
Dielectric Withstanding Voltage	1500 VRMS min.	
VSWR	Not defined	
Contact Resistance	Center Contact	3 mΩ max.
	Outer Contact	2 mΩ max.
Insulator Resistance	5000 MΩ min.	

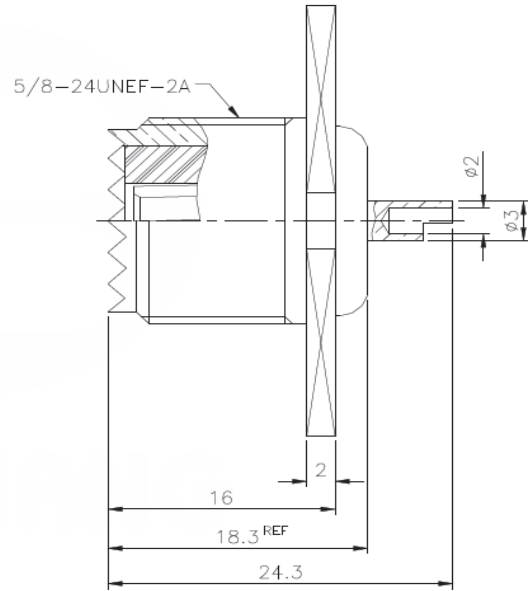
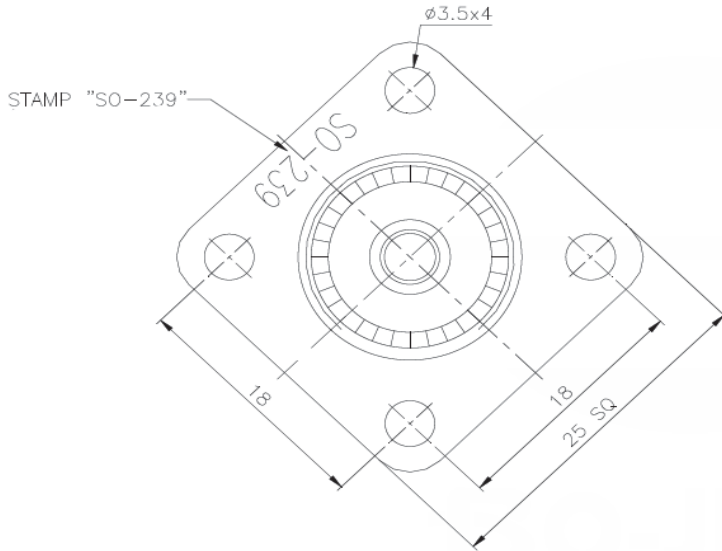
<i>Material</i>		
Parts Name	Material	Finish
Body, Metal Parts	Brass per QQ-B-626	Nickel 70 micro-inches
Center Contacts	Male: Brass per QQ-B-626 Female: Phosphor Bronze per QQ-B-626	Gold 3 micro-inches Gold 3 micro-inches
Insulators	Teflon, Delrin	None
Crimp Ferrules	Annealed Brass	Nickel 70 micro-inches

Panel Mount UHF	
Part No.:	T55B2010
Customer:	

DRW:	Dong	CHKD	Chang	MATL:	Chui	DATE	29.04.2010
APPD:	Ping			FINISH	Hui	Sheet	1 from 2



Technical Drawing



Odering Information

Serie	-	Cable Group	Impedance	No Function	RoHS	Packing
T55B2010	-	G6	50	XX	R	BU
EDCON-Serie	-	G6 = Solder Cup	50 = 50 Ω	XX	N = no RoHS conform R = RoHS conform	BU = Bulk Ware IV = Individual Packing

Panel Mount UHF	
Part No.:	T55B2010
Customer:	

DRW:	Dong	CHKD	Chang	MATL:	Chui	DATE	29.04.2010
APPD:	Ping			FINISH	Hui	Sheet	2 from 2