



General

UHF series are economical and all purpose connectors. They are designed with a non-constant impedance for use at comparatively low voltage & low frequency applications including: C.B. communication systems, ground control apparatus, ship to shore communications and Mobile radio equipment hookups between antenna and transmitter or receiver.

Specifications

| <i>Electrical</i> | | |
|---------------------------------|---------------------|-----------|
| Impedance | 50 Ω (Non-constant) | |
| Frequency Range | 0 - 200 MHz | |
| Working Voltage | 500 VRMS max. | |
| Dielectric Withstanding Voltage | 1500 VRMS min. | |
| VSWR | Not defined | |
| Contact Resistance | Center Contact | 3 mΩ max. |
| | Outer Contact | 2 mΩ max. |
| Insulator Resistance | 5000 MΩ min. | |

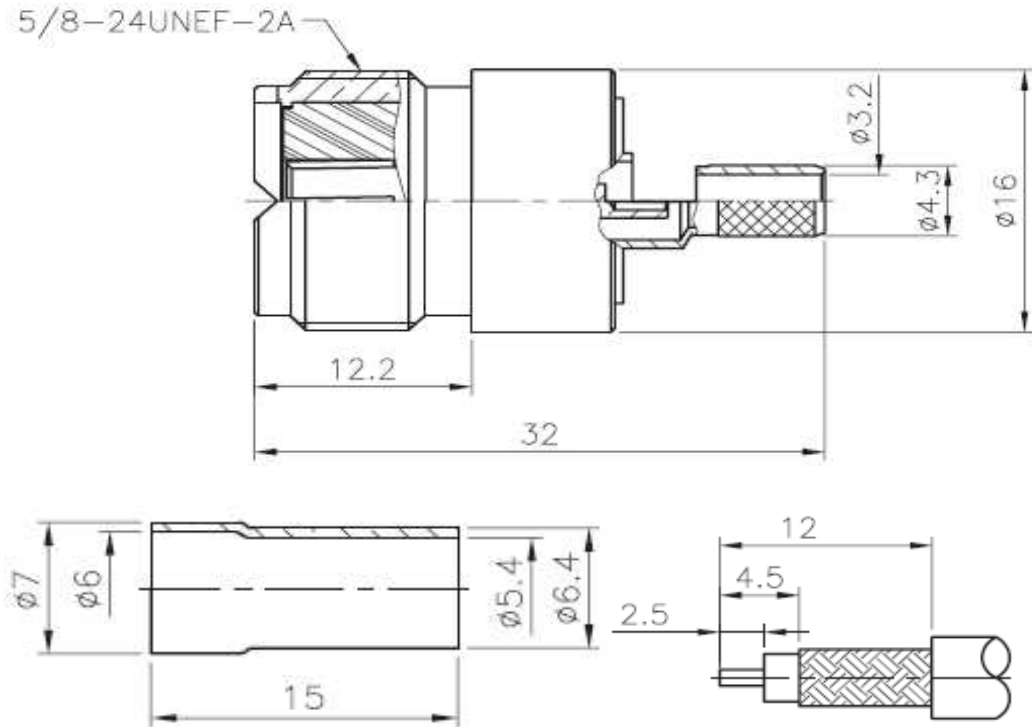
| <i>Material</i> | | |
|-------------------|--|--|
| Parts Name | Material | Finish |
| Body, Metal Parts | Brass per QQ-B-626 | Nickel 70 micro-inches |
| Center Contacts | Male: Brass per QQ-B-626 Female: Phosphor Bronze per QQ-B-626 | Gold 3 micro-inches Gold 3 micro-inches |
| Insulators | Teflon, Delrin | None |
| Crimp Ferrules | Annealed Brass | Nickel 70 micro-inches |

| | |
|-----------------------------|-----------------|
| Cable, Crimp UHF | |
| Part No.: | T55B2008 |
| Customer: | |

| | | | | | | | |
|-------|------|------|-------|--------|------|-------|------------|
| DRW: | Dong | CHKD | Chang | MATL: | Chui | DATE | 29.04.2010 |
| APPD: | Ping | | | FINISH | Hui | Sheet | 1 from 2 |



Technical Drawing



Odering Information

| Serie | - | Cable Group | Impedance | No Function | RoHS | Packing |
|-------------|---|----------------------------|--------------|-------------|---|---|
| T55B2008 | - | A1 | 50 | XX | R | BU |
| EDCON-Serie | - | A1 = 58/U, 58A/U, 58C/U | 50 = 50 Ω | XX | N = no RoHS conform R = RoHS conform | BU = Bulk Ware IV = Individual Packing |

| | |
|-----------------------------|-----------------|
| Cable, Crimp UHF | |
| Part No.: | T55B2008 |
| Customer: | |

| | | | | | | | |
|-------|------|------|-------|--------|------|-------|------------|
| DRW: | Dong | CHKD | Chang | MATL: | Chui | DATE | 29.04.2010 |
| APPD: | Ping | | | FINISH | Hui | Sheet | 2 from 2 |