



**General**

PAL connectors are developed for use on Phase Alternate Line TV antenna receiving equipment.

Countries using the PAL system include: Australia, Austria, Belgium, China, Denmark, Finland, Germany, Great Britain, Honk Kong, Italy, Kuwait, Netherlands, New Zealand, Norway, Portugal, Singapore, Spain, Sweden, Switzerland and Thailand.

**Specifications**

<i>Electrical</i>		
Impedance		75 Ω
Frequency Range		0 - 1 GHz
Working Voltage		500 VRMS max.
Dielectric Withstanding Voltage		1500 VRMS max.
VSWR	Straight Right Angle	Not defined
Contact Resistance	Center Contact Outer Contact	5 mΩ max. 2 mΩ max.
Insulator Resistance		5000 MΩ min.

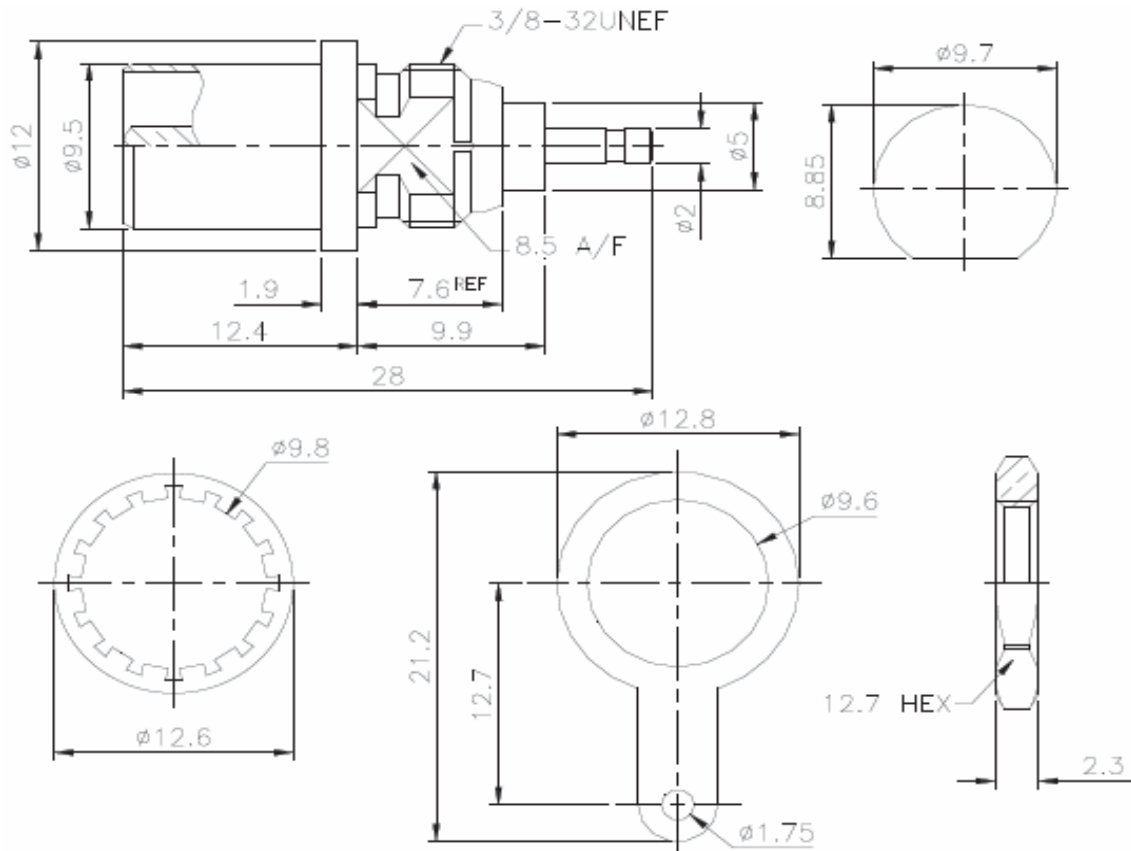
<i>Material</i>		
Parts Name	Material	Finish
Body, Metal Parts	Brass per QQ-B-626	Nickel 70 micro-inches
Center Contacts	Male: Brass per QQ-B-626 Female: Brass per per QQ-B-626	Nickel 70 micro-inches Nickel 70 micro-inches
Insulators	Delrin	None
Crimp Ferrules	Annealed Brass	Nickel 70 micro-inches

<b>Panel Mount PAL</b>		
Part No.:	<b>T55A2011</b>	
Customer:		

DRW:	Dong	CHKD	Chang	MATL:	Chui	DATE	17.08.2010
APPD:	Ping			FINISH	Hui	Sheet	1 from 2



**Technical Drawing**



**Odering Information**

Serie	-	Cable Group	Impedance	No Function	RoHS	Packing
<b>T55A2011</b>	-	<b>G5</b>	<b>75</b>	<b>XX</b>	<b>R</b>	<b>BU</b>
EDCON-Serie	-	<b>G5</b> = Blund Post	<b>75</b> = 75 Ω	XX	<b>N</b> = no RoHS conform <b>R</b> = RoHS conform	<b>BU</b> = Bulk Ware <b>IV</b> = Individual Packing

<b>Panel Mount PAL</b>	
Part No.:	<b>T55A2011</b>
Customer:	

DRW:	Dong	CHKD	Chang	MATL:	Chui	DATE	17.08.2010
APPD:	Ping			FINISH	Hui	Sheet	2 from 2