



**General**

PAL connectors are developed for use on Phase Alternate Line TV antenna receiving equipment.

Countries using the PAL system include: Australia, Austria, Belgium, China, Denmark, Finland, Germany, Great Britain, Honk Kong, Italy, Kuwait, Netherlands, New Zealand, Norway, Portugal, Singapore, Spain, Sweden, Switzerland and Thailand.

**Specifications**

<i>Electrical</i>		
Impedance	75 Ω	
Frequency Range	0 - 1 GHz	
Working Voltage	500 VRMS max.	
Dielectric Withstanding Voltage	1500 VRMS max.	
VSWR	Straight Right Angle	Not defined
Contact Resistance	Center Contact	5 mΩ max.
	Outer Contact	2 mΩ max.
Insulator Resistance	5000 MΩ min.	

<i>Material</i>		
Parts Name	Material	Finish
Body, Metal Parts	Brass per QQ-B-626	Nickel 70 micro-inches
Center Contacts	Male: Brass per QQ-B-626 Female: Brass per per QQ-B-626	Nickel 70 micro-inches Nickel 70 micro-inches
Insulators	Delrin	None
Crimp Ferrules	Annealed Brass	Nickel 70 micro-inches

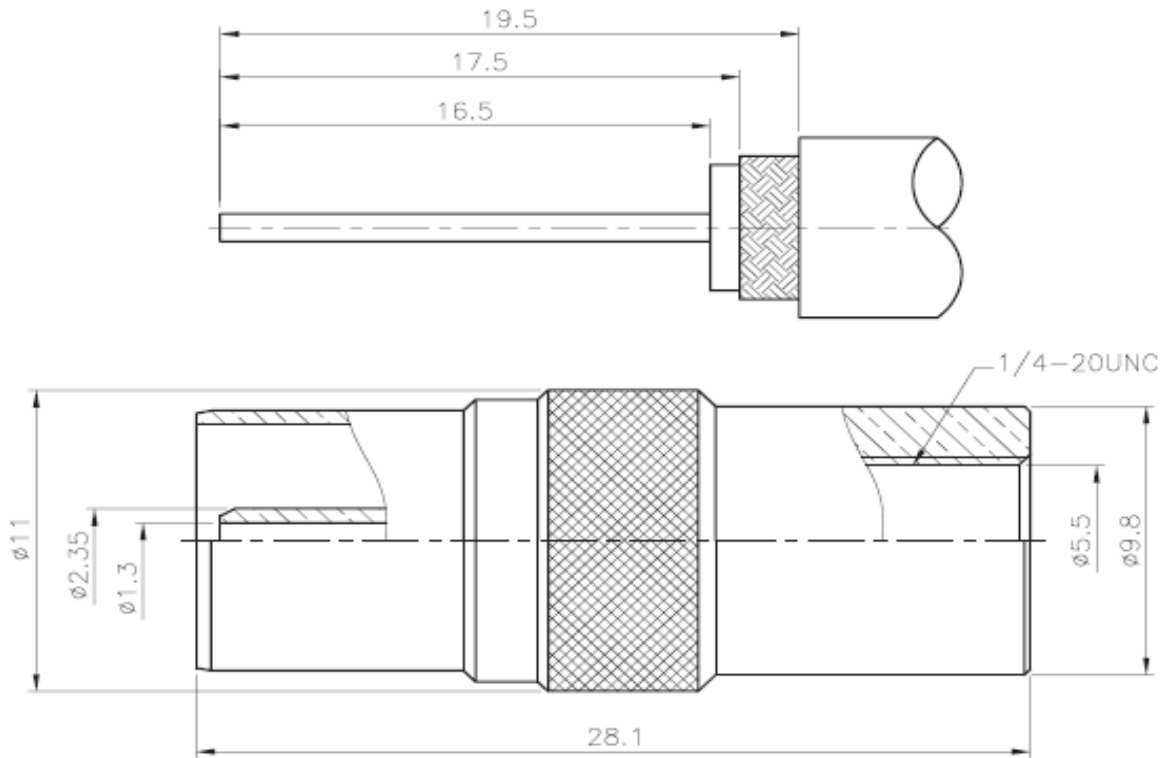
<b>Cable Crimp PAL</b>	
Part No.:	<b>T55A2007</b>
Customer:	

DRW:	Dong	CHKD	Chang	MATL:	Chui	DATE	17.08.2010
APPD:	Ping			FINISH	Hui	Sheet	1 from 2

Copyright by EDCON-COMPONENTS



**Technical Drawing**



**Odering Information**

Serie	-	Cable Group	Impedance	No Function	RoHS	Packing
T55A2007	-	A5	75	XX	R	BU
EDCON-Serie	-	A5 = RG-59/U	75 = 75 $\Omega$	XX	N = no RoHS conform R = RoHS conform	BU = Bulk Ware IV = Individual Packing

<b>Cable Crimp PAL</b>	
Part No.:	<b>T55A2007</b>
Customer:	

DRW:	Dong	CHKD	Chang	MATL:	Chui	DATE	17.08.2010
APPD:	Ping			FINISH	Hui	Sheet	2 from 2