

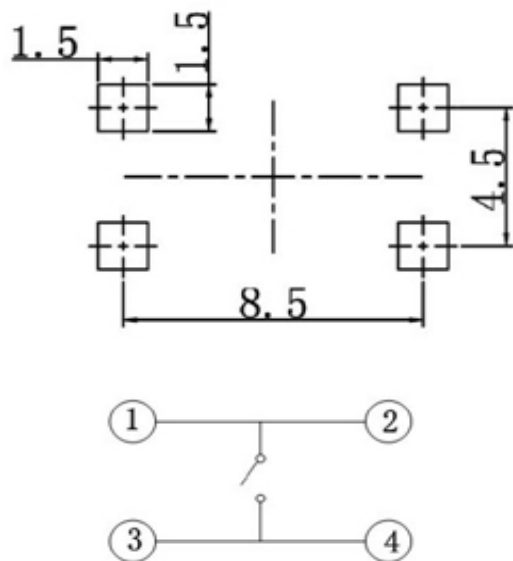
EDCON-COMPONENTS



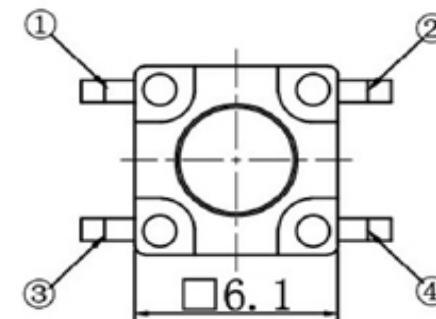
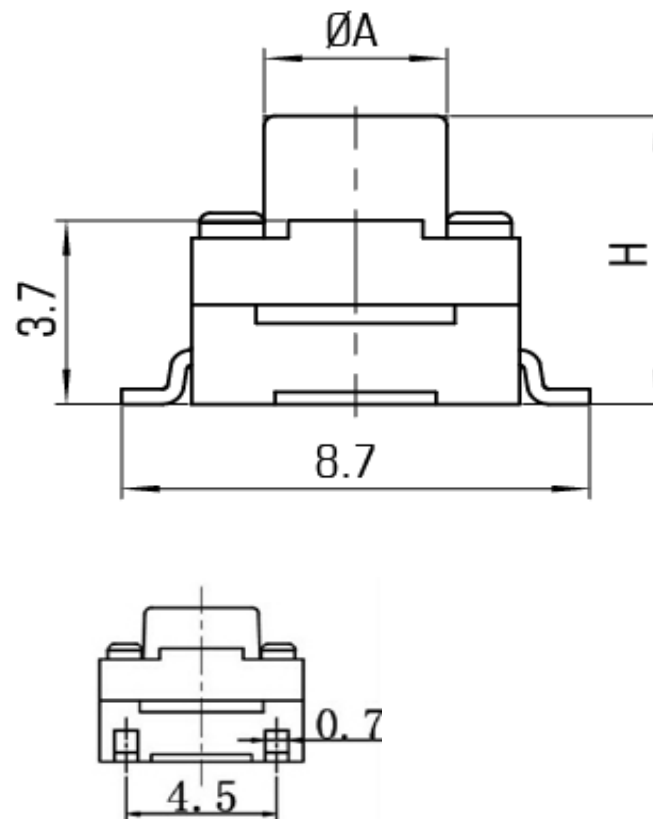
SPECIFICATION:

Current Rating: 50mA / 12VDC
 Insulator Resistance: 100 Megaohm min.
 Dielectric Withstanding: AC 250V
 Operating Temperature: -30°C to +85°C
 Travel: 0,25mm ± 0,1mm
 Insulator Material: PA66
 Cover: PA66
 Contact Plating: Stainless Steel Silver plated
 Terminal: Brass Silver plated
 Sealed Character: IP67

P.C.B Layout



Drawing



Waterproof SMT TACT SWITCH 6x6mm

Part No.: **Q12131**

Customer:

DRW:	Jason	CHKD	Wilson	MATL:	Wilson	TOLERANCE	Mason	DATE	21.07.2015
APPD:	Schumi			FINISH	Jamy		Sheet No.		1 from 4

EDCON-COMPONENTS



Ordering Informations

Serie	Total height w. Body	Fill with 0	Operating Force	Polarisation Peg	Electrical life	Fill with 0	ROHS	Packing		
Q12131	043	X	231	N	104	X	R	BU		

xxx= Look Knob Order Code L	X= no function	231= 230gr	N= without Peg	104= 100000 cycles	X= no function	N= non ROHS	BU= Bulk Ware
		331= 330gr				R= ROHS conform	

**Waterproof SMT TACT
SWITCH 6x6mm**

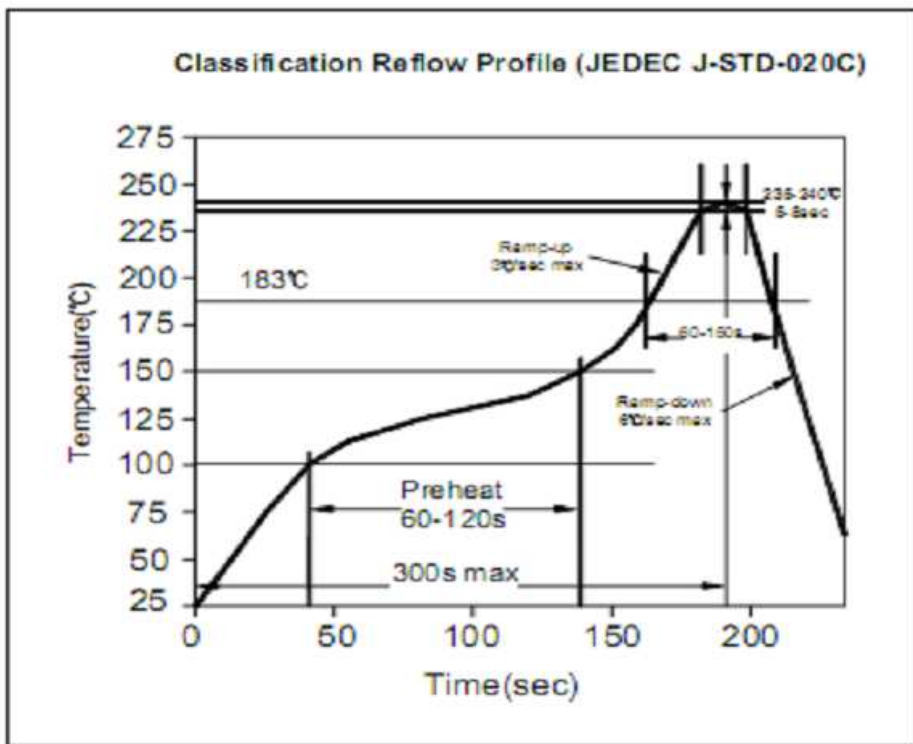
Part No.: **Q12131**

DRW:	Jason	CHKD	Wilson	MATL:	Wilson	TOLERANCE	Mason	DATE	21.07.2015
APPD:	Schumi			FINISH	Jamy			Sheet No.	3 from 4

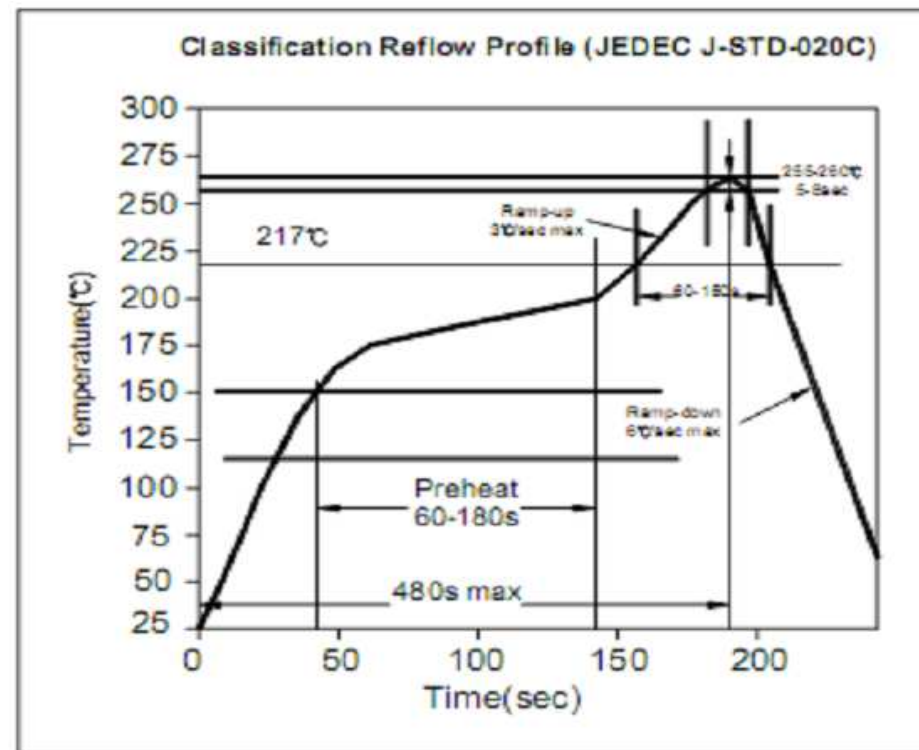
Customer:



Soldering Profile for Lead Soldering



Soldering Profile for Lead Free Soldering



Waterproof SMT TACT SWITCH 6x6mm

Part No.: **Q12131**

DRW:	Jason	CHKD	Wilson	MATL:	Wilson	TOLERANCE	Mason	DATE	21.07.2015
APPD:	Schumi			FINISH	Jamy		Sheet No.	4 from 4	Customer: