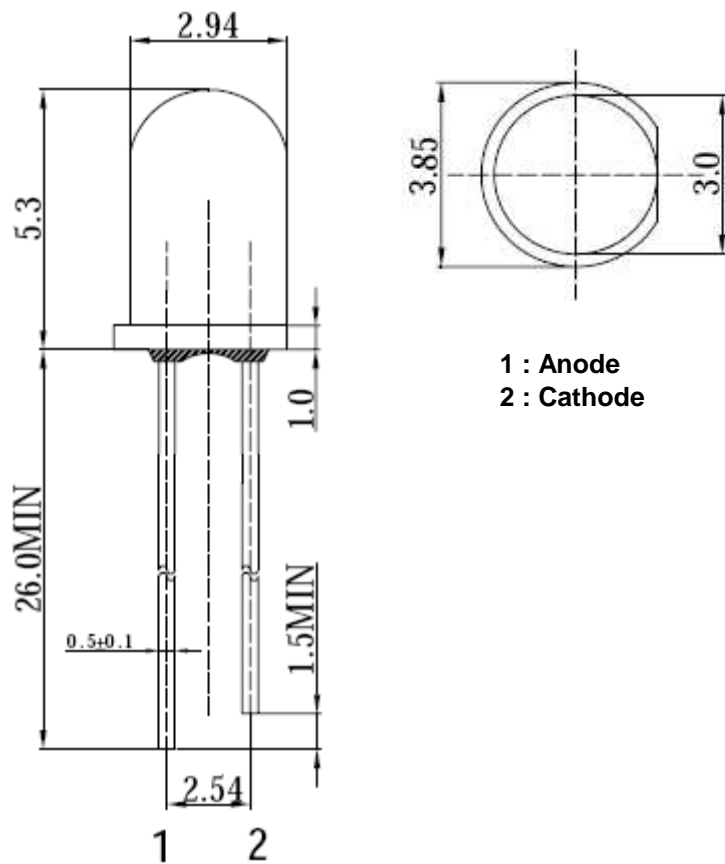




Applications

- Electronic Signs and Signals
- Small Area Illuminations
 - Back Lighting
 - Other Lighting

Technical Drawing



1 : Anode
 2 : Cathode

Notes :

All dimensions in mm tolerance is ± 0.1 mm unless otherwise noted.

Round LED White	
Part No.:	M13A2081
Customer:	

DRW:	Dong	CHKD	Chang	MATL:	Chui	DATE	12.09.2011
APPD:	Ping			FINISH	Hui	Sheet	1 from 5



Absolute Maximum Ratings

Item	Symbol	InGaN	Unit
Power Dissipation	P _D	140	mW
DC Forward Current	I _F	20	mA
Pulsed Forward Current	I _{FP} *	70	mA
Reverse Voltage	V _R	5	V
Operating Temperature	T _{OP}	-40 to 80	°C
Storage Temperature	T _{ST}	-40 to 100	°C

* 0.1 msec pulse, 10% duty cycle

Electrcal / Optical Characteristics

Ermitting Color	White		
Material	InGaN		
Forward Voltage	typ.	2.9	V _F
	max.	3.6	V _F
Wavelength typ.	X	0,29	nm
	Y	0,31	nm
Color Temperature	min.	6000	K
	max.	7000	K
Luminous Intensity *	min.	3000	mcd
	typ.	5000	mcd
Reverse Current	max.	10	µA
Viewing Angle	2Θ1/2	60	

* Per NIST standards

Round LED
White

Part No.: **M13A2081**

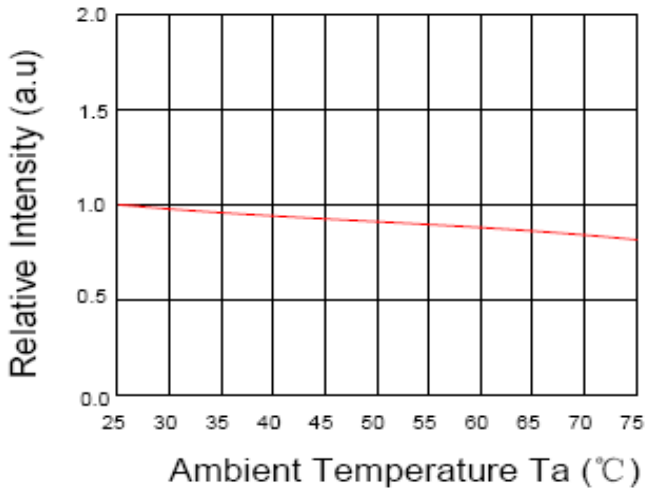
Customer:

DRW:	Dong	CHKD	Chang	MATL:	Chui	DATE	12.09.2011
APPD:	Ping			FINISH	Hui	Sheet	2 from 5

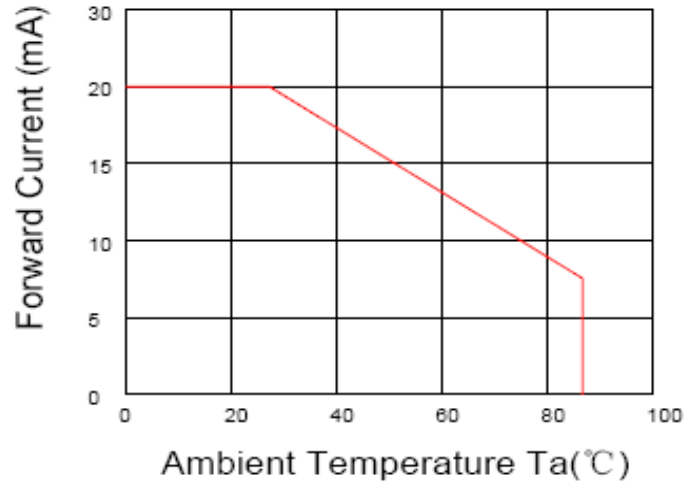


Curve

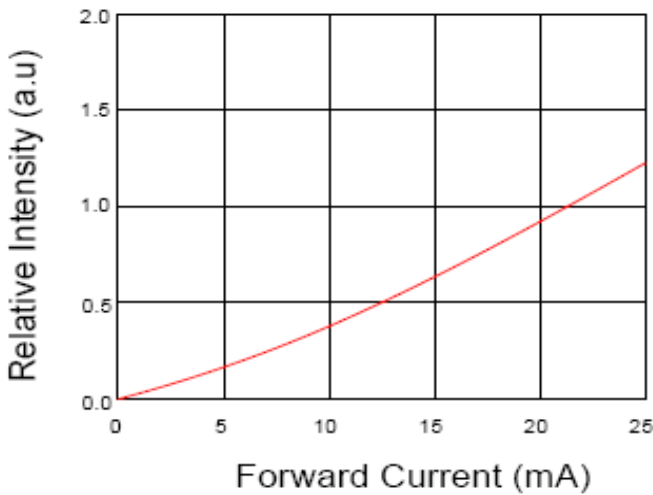
Relative Intensity VS. Ambient Temp



Forward Current VS. Ambient Temp



Forward Current VS. Relative Intensity



Round LED
White

Part No.: **M13A2081**

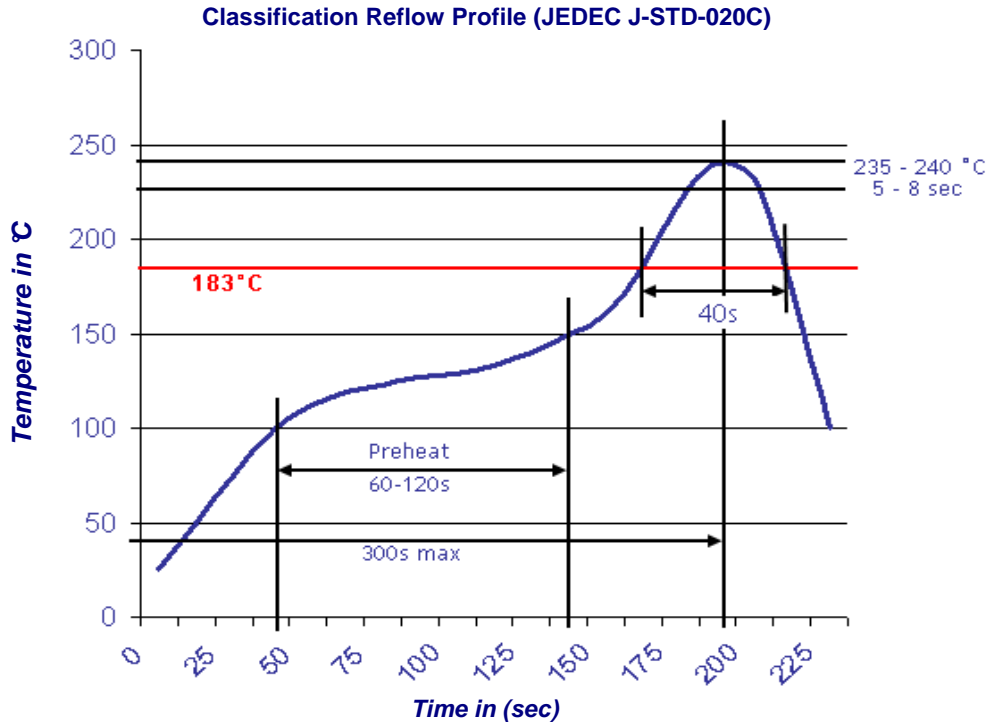
Customer:

DRW:	Dong	CHKD	Chang	MATL:	Chui	DATE	12.09.2011
APPD:	Ping			FINISH	Hui	Sheet	3 from 5



Solder Condition

Lead Free Solder

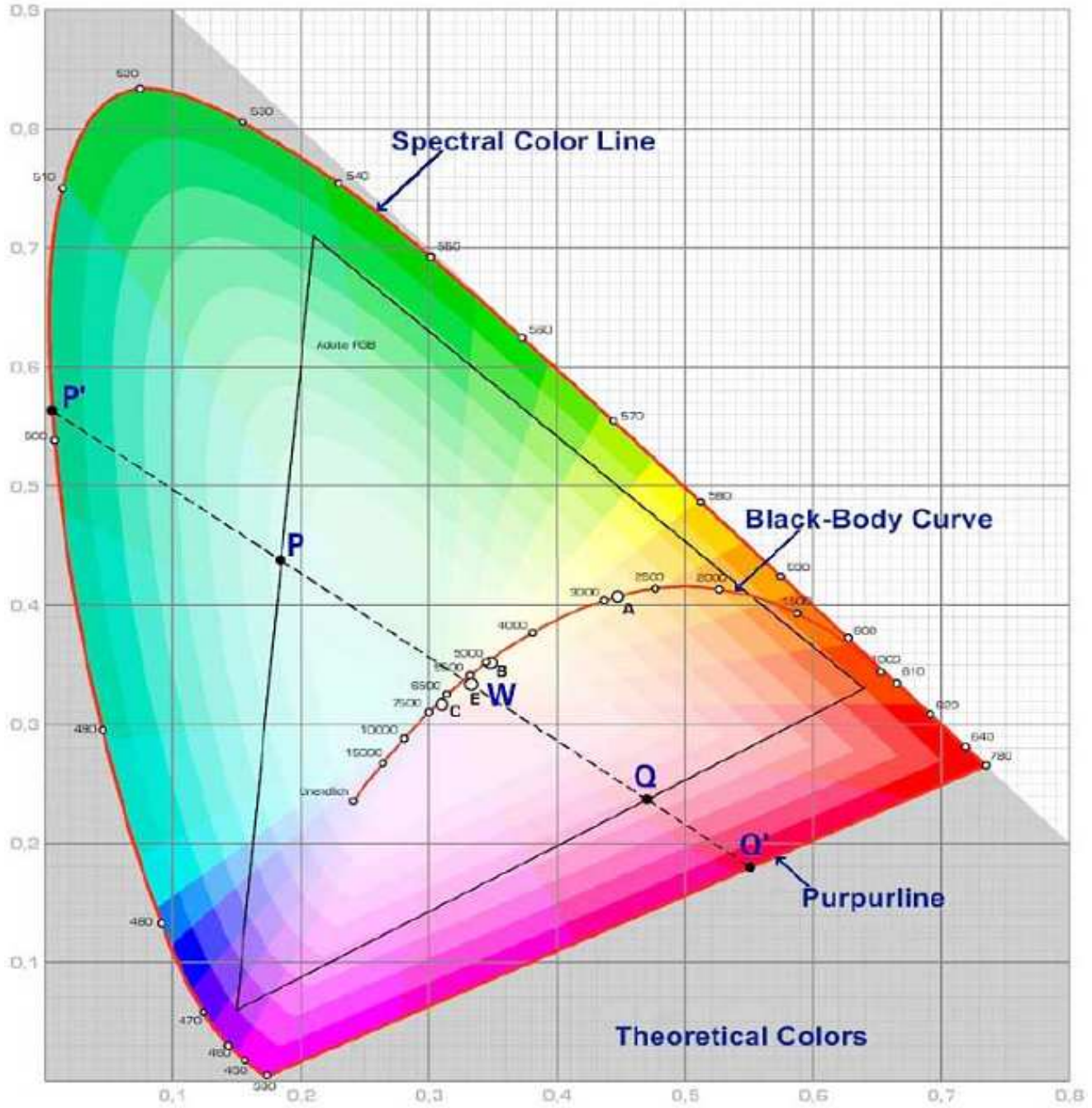


Round LED White	
Part No.:	M13A2081
Customer:	

DRW:	Dong	CHKD	Chang	MATL:	Chui	DATE	12.09.2011
APPD:	Ping			FINISH	Hui	Sheet	4 from 5



Color table curve



Round LED White	
Part No.:	M13A2081
Customer:	

DRW:	Dong	CHKD	Chang	MATL:	Chui	DATE	12.09.2011
APPD:	Ping			FINISH	Hui	Sheet	5 from 5

Copyright by EDCON-COMPONENTS