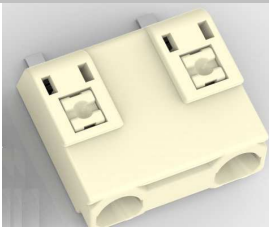
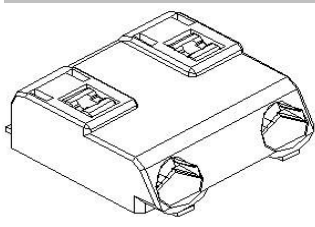


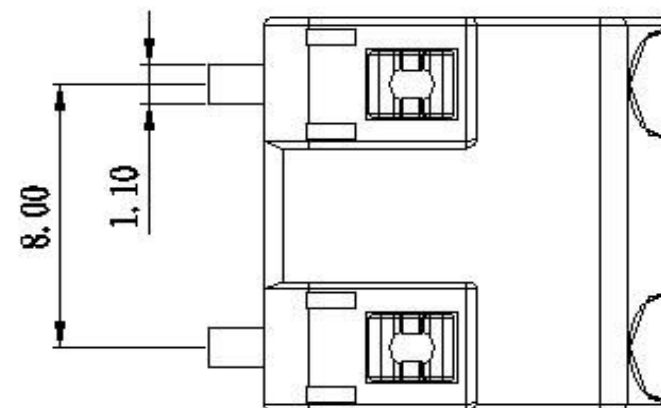
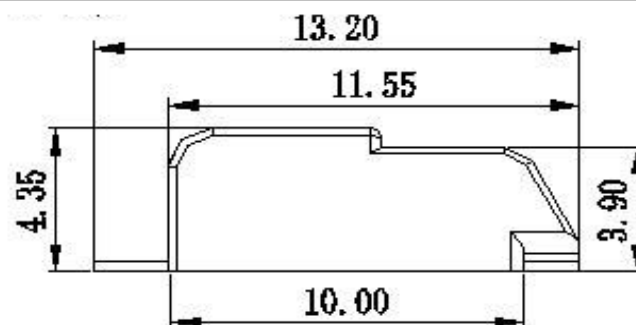
EDCON-COMPONENTS



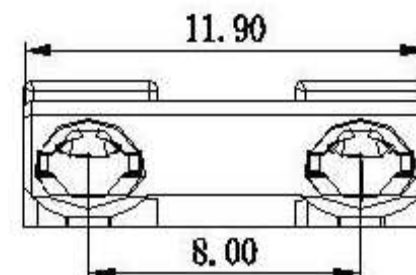
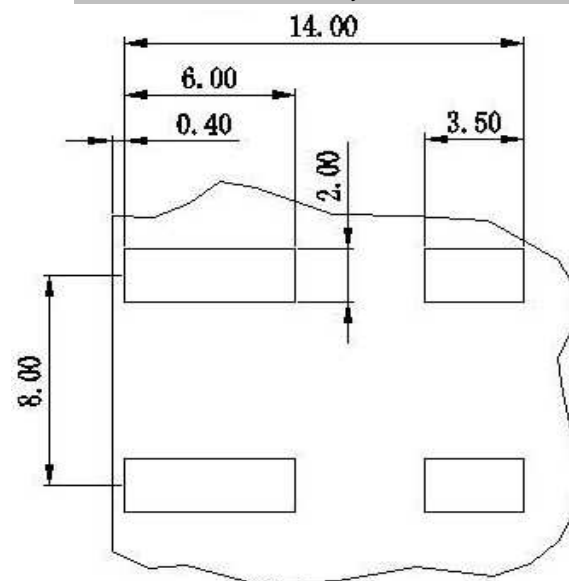
Technical Discription

Approval:	CE
Rated Voltage	250V / 320V / 630V
Rated Current	9A
Wire Range	
Solid Wire	0,2~ 0,75mm ²
Stranded Wire	0,2~ 0,75mm ²
Solid Wire	AWG24 ~18
Stranded Wire	AWG24 ~18
Ambient Temp.	-60°C ~ +105°C
Strip length	7~8mm
Pitch	8mm
Poles	2P
Housing	PA46 / PA6T , UL94V-0
Pin Header	Brass tin plated
Packing:	Tape/Reel 800PCS

Drawing



PCB-Layout



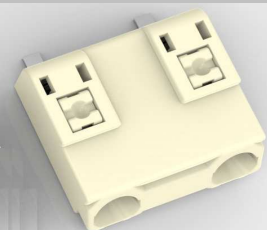
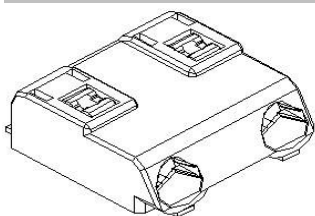
**SMD PCB LED Connector Pitch
8,0mm**

Part No.: **TA11007**

Customer:

DRW:	Jason	CHKD	Wilson	MATL:	Wilson	TOLERANCE	Mason	DATE	10.08.2016
APPD:	Schumi			FINISH	Jamy		Sheet No.	1 from 3	

EDCON-COMPONENTS



Ordering Informations

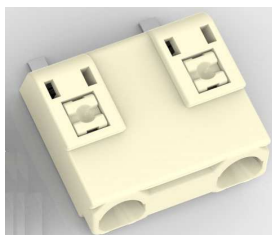
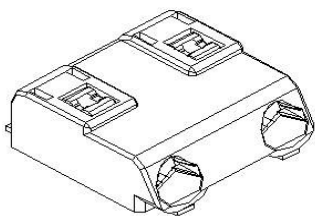
Serie	No. Pos.	Color Code	Spezial Function	Spezial Function	ROHS	Packing				
-------	----------	------------	------------------	------------------	------	---------	--	--	--	--

TA11007	-	2	GY	0	0	R	TR			
----------------	---	----------	-----------	----------	----------	----------	-----------	--	--	--

	GY= gray	0= No function	0= No function	R= ROHS Conform	BU= Bulk-Ware
2= Two Pos.					TR= Tape Reel

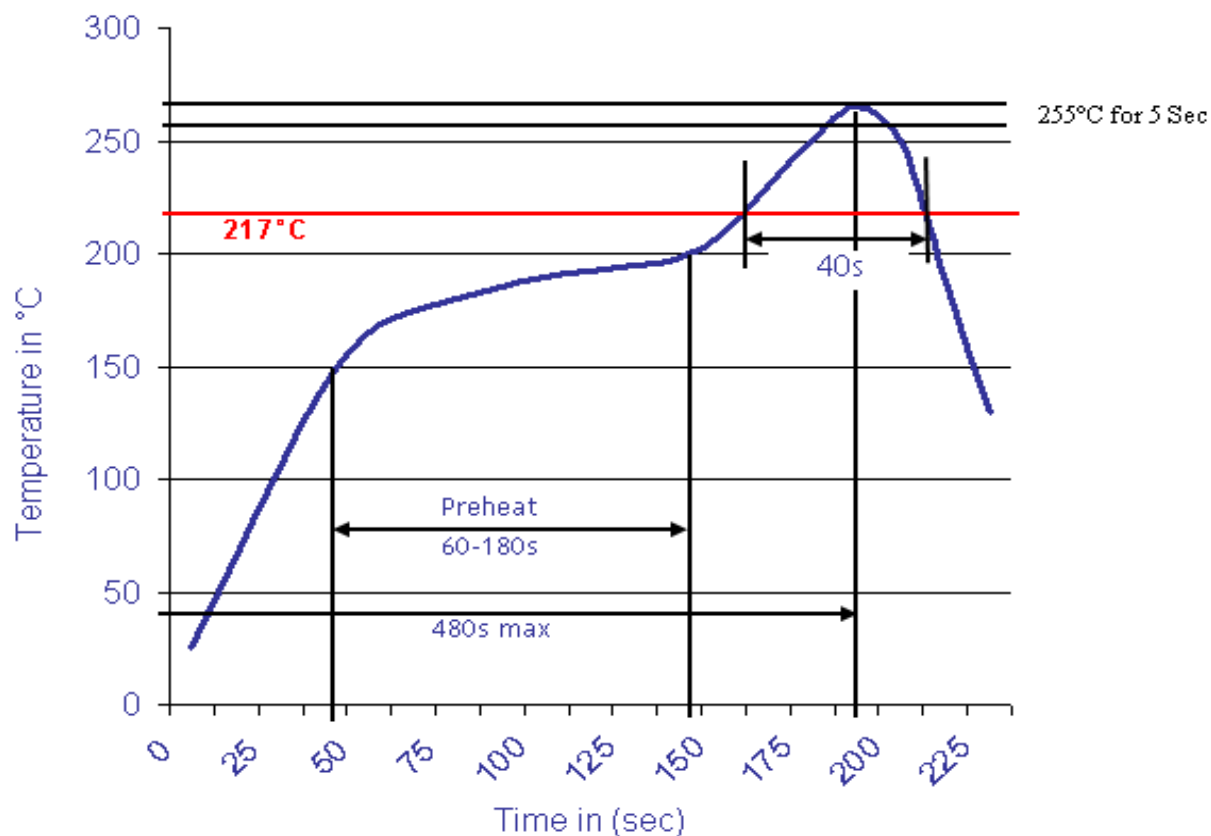
SMD PCB LED Connector Pitch 8,0mm	
Part No.:	TA11007
Customer:	

DRW:	Jason	CHKD	Wilson	MATL:	Wilson	TOLERANCE	Mason	DATE	10.08.2016
APPD:	Schumi			FINISH	Jamy		Sheet No.	2 from 3	



Soldering Profile Curve

Classification Reflow Profile (JEDEC J-STD-020C)



SMD PCB LED Connector Pitch 8,0mm	
Part No.:	TA11007
Customer:	

DRW:	Jason	CHKD	Wilson	MATL:	Wilson	TOLERANCE	Mason	DATE	10.08.2016
APPD:	Schumi			FINISH	Jamy		Sheet No.		3 from 3