

# EDCON-COMPONENTS

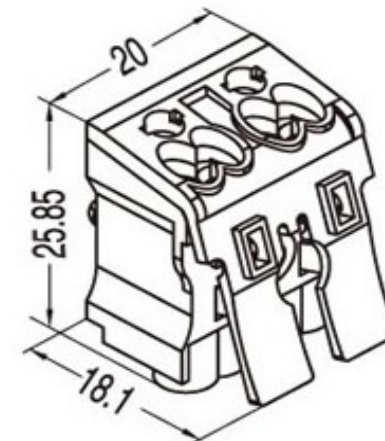


## Description

### Approval

Standard:	IEC	UL
Voltage	450Volt	320Volt
Current	16A	16A
Poles	2P	2P
Body Colour	White	White
Lower-Base	PA66	PA66
Upper-Cover	PC	PC

## Dimensions (mm)



The bottom wiring hole can connect the circle earth slice (**Type A**)

The bottom wiring hole can connect the square earth slice (**Type B**)

The c wiring hole can connect the square earth slice (**Type C**)



Single-strand wire



Multi-strand wire



Fine multi-strand wire

for connecting hole a,b



Single-strand wire

Connecting hole A,B C/c

## Screwless Lamp-Terminals

Part No.: **A46034**

DRW:	Jason	CHKD	Wilson	MATL:	Wilson	TOLERANCE	Mason	DATE	29.10.2023
APPD:	Schumi			FINISH	Jamy		Sheet No.		1 from 2

Customer:

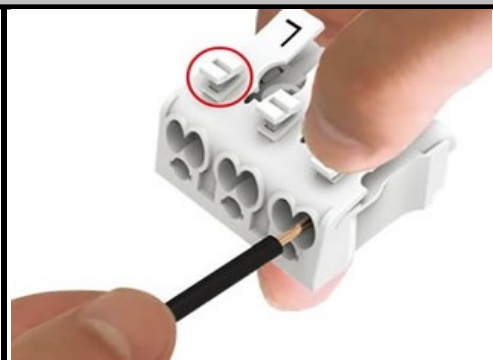
[www.edcon-components.com](http://www.edcon-components.com)

email: [info@edcon-components.com](mailto:info@edcon-components.com)

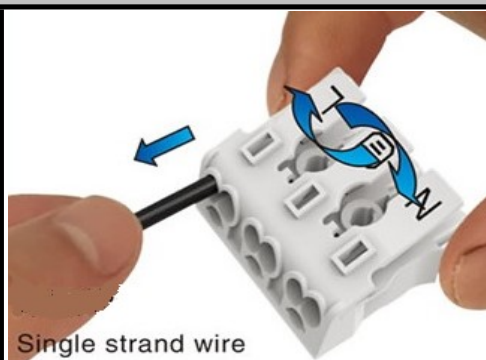
# EDCON-COMPONENTS



Wiring operation 1 the wire can be inserted or released by the tool through the connecting (disconnecting) hole (the single-stranded wire can be inserted directly).

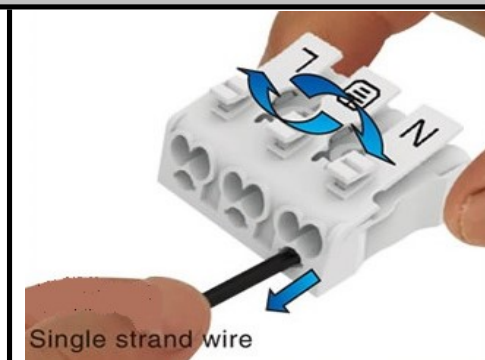


Wiring operation 2: use finger or tools to press down the operation button (which is on the product) to open the connecting port, and insert or release the wire (the single-stranded wire can be inserted directly)



Single strand wire

Disconnection operation: if you choose the connector without button, the single-stand wire ( which is inserted to A or B wiring hole) will be released by left-right rotating to connector.

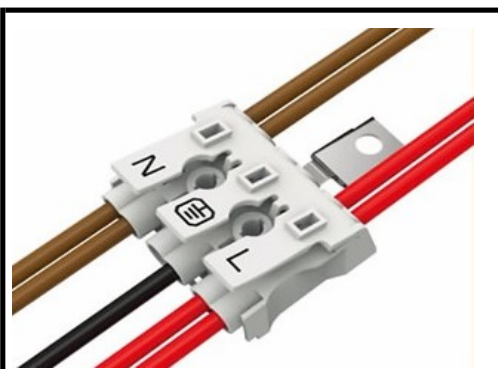


Single strand wire

Disconnecting operation: the single - strang wiring (which is inserted to C or c wiring hole) will be released by left-right rotating the connector



Wiring operation 2: use finger or tools to press down the operation button (which is on the product) to open the connecting port, and insert or release the wire (the single-stranded wire can be inserted directly)



One side can connect three wire at the same time, also can connect the earth slice, it is easy to operate

## Screwless Lamp-Terminals

Part No.: **A46034**

DRW:	Jason	CHKD	Wilson	MATL:	Wilson	TOLERANCE	Mason	DATE	29.10.2023
APPD:	Schumi			FINISH	Jamy		Sheet No.		2 from 3

Customer:

# EDCON-COMPONENTS



## Ordering Informations

Serie	No od Pos.	Body Colour	Special Function	Special Function	Special Function	ROHS	Packing	
<b>A46034</b>	<b>02</b>	<b>WH</b>	<b>A</b>	<b>0</b>	<b>0</b>	<b>R</b>	<b>BU</b>	

02= 2Pos.	WH= White	A= with PCB earth ground	0= No function	0= No function	R= ROHS Conform	BU= Bulk - Ware into Polybag
		B= with Flat earth ground			N= NON ROHS Conform	
		C= with Mount earth ground				IV= Individual Packing

### Screwless Lamp-Terminals

Part No.: **A46034**

Customer:

DRW:	Jason	CHKD	Wilson	MATL:	Wilson	TOLERANCE	Mason	DATE	29.10.2023
APPD:	Schumi			FINISH	Jamy		Sheet No.		2 from 2

[www.edcon-components.com](http://www.edcon-components.com)

email: [info@edcon-components.com](mailto:info@edcon-components.com)