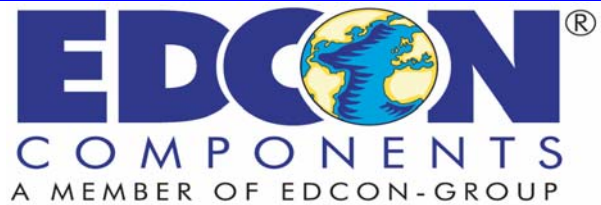


EDCON-COMPONENTS



Picture

Approval or any Informations



Features

Applications

Ultra small type, light weight yet cost
Terminals are insert molded against flux
penetration during soldering
Good feeling and more levers are applied

Operating in all types of electronic equipment such as
appliances, audio mouse, office, equipment,
communications apparatus, etc.

Mechanical / Electrical Data

Rating:
Insulation Resistance:
Dielectric Stregnth:
Electrical Life:
Operating Temperature:

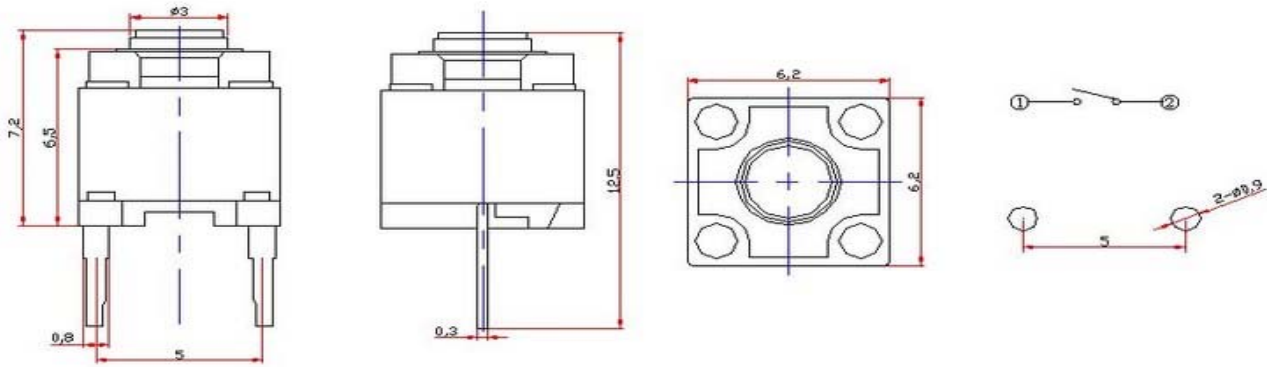
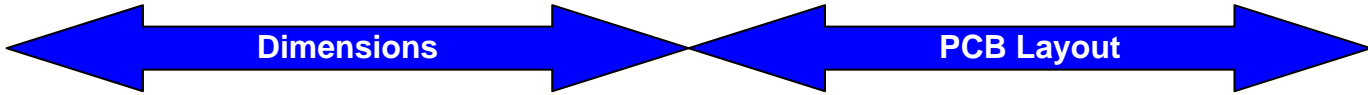
3A 125VAC, 1A 250VAC
100M Ohm min (DC 500V)
AC 500V (50/60Hz for 1 minute)
30.000 cycles
.-25°C ~ + 85°C

Q11001

www.edcon-components.com
email: info@edcon-components.com

Copyright by EDCON-COMPONENTS H. Schmitt 25.5.2009

EDCON-COMPONENTS



Serie	Total Height	Operating force	Packing			
Q11001	0	0	B B=Bulk			

Q11001

www.edcon-components.com

email: info@edcon-components.com

Copyright by EDCON-COMPONENTS H. Schmitt 25.5.2009

EDCON-COMPONENTS



Packing and Reel Specifications

Q11001