



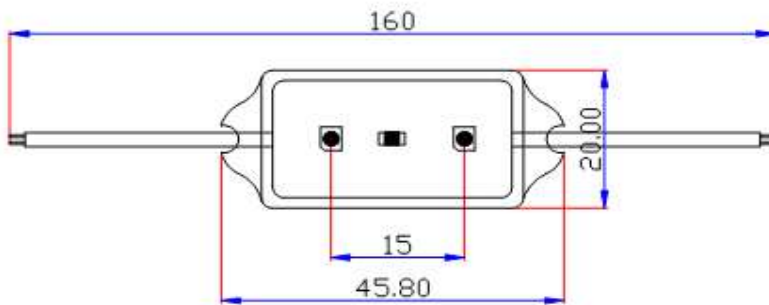
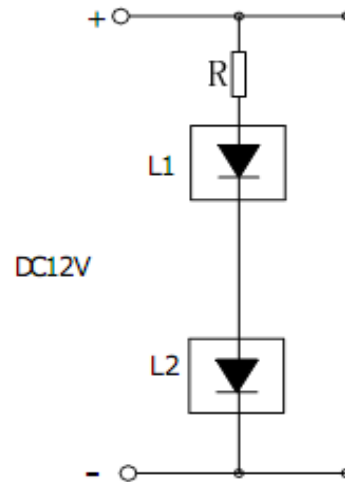
Applications

- Interior automotive lighting(dashboard backlight etc...)
- Optical indicators
- High Tech Lightning
- Security Parts
- Automotive Products

Technical LED inside

Size of LED	3528 TOP-LED Technology
PCS	2
Waterproof	Yes
Case:	Steel Shell
Case Size Dimension:	46x20mm
Operating Current:	20mA per Module
Viewing Angle:	120°
Luminous Flux:	look table
Power Dissipation per Meter:	0,24 Watt

Picture



Waterproof Aluminium Modul for Outside Application

Part No.:	M24004
Customer:	
DATE	24.07.2009
Sheet No.	1 from 4

Drwaing	APPD.	CHKD.	Tolerance	Finish	DATE	24.07.2009
Harry	Jason	John	Wilson	Mason	Sheet No.	1 from 4



EDCON[®]
COMPONENTS
 A MEMBER OF EDCON-GROUP

Packing Specification

Antistatic Polybag



Waterproof Aluminium Modul for Outside Application	
Part No.:	M24004
Customer:	

Drwaing	APPD.	CHKD.	Tolerance	Finish	DATE	24.07.2009
Harry	Jason	John	Wilson	Mason	Sheet No.	2 from 4

www.edcon-components.com

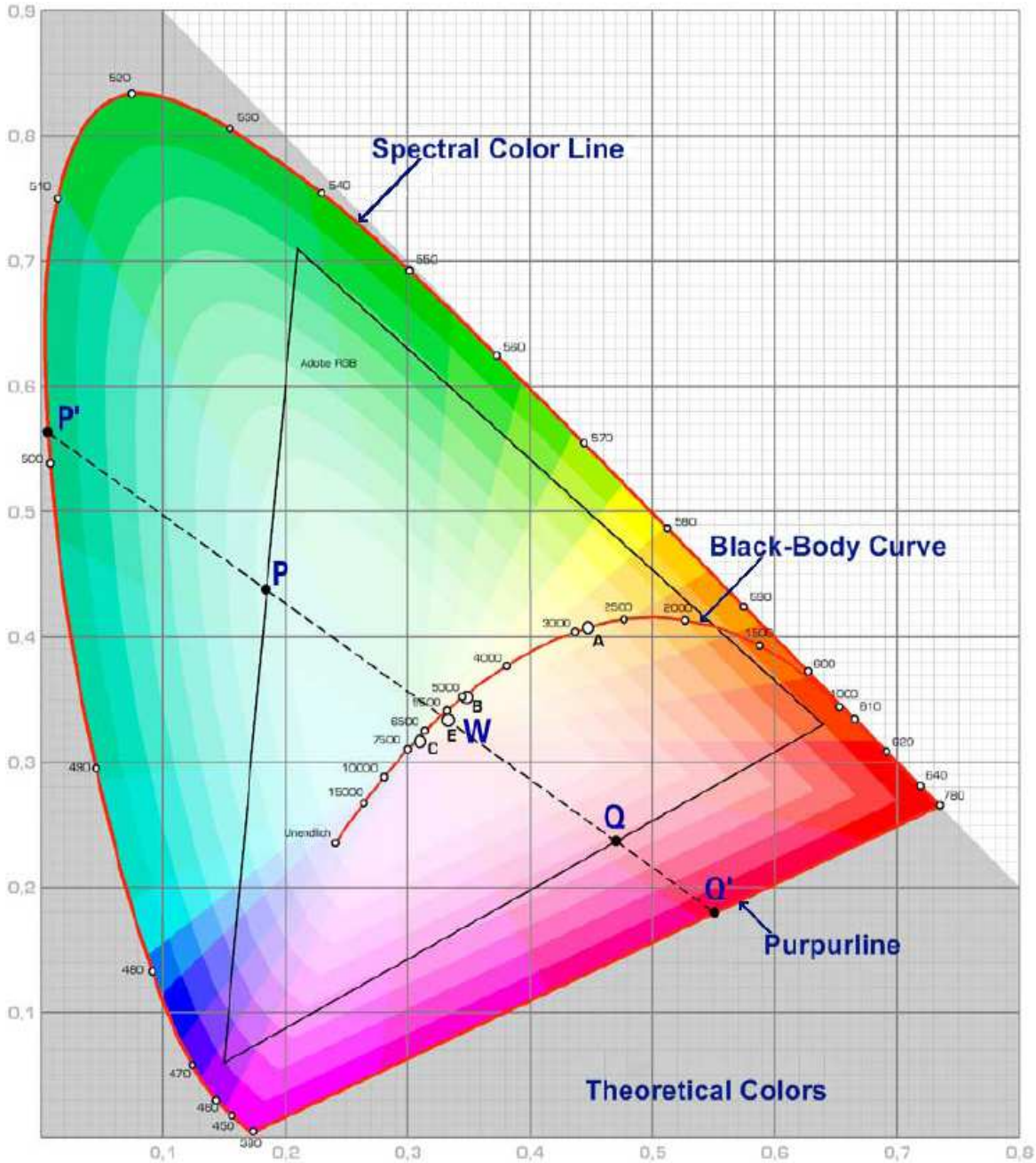
on-components.com

© by EDCON-COMPONENTS



EDCON[®]
COMPONENTS
 A MEMBER OF EDCON-GROUP

Color table curve



**Waterproof Aluminium
 Modul for Outside
 Application**

Part No.: **M24004**

Customer:

Drwaing	APPD.	CHKD.	Tolerance	Finish	DATE	24.07.2009
Harry	Jason	John	Wilson	Mason	Sheet No.	3 from 4

www.edcon-components.com

on-components.com



Ordering Information

Serie	Color of LED	Voltage	Packing	
M24004	CW	12	B	

CW= Cool White	12= 12 Volt	B= Bulk (Standard) I= Individuell (Standard)
WW= Warm White	5= 5 Volt	
RD= Red	24= 24 Volt	
GN= Green		
BL= Blue		
YE= Yellow		

Code	E-Color	Wavelength	Lumi. Flux	V.Angle
CW	Cool White	9000K	10 lm	120°
WW	Warm White	3500K	9 lm	120°
RD	Red	470nm	2 lm	120°
GN	Green	525nm	5,5 lm	120°
BL	Blue	630nm	2 lm	120°
YE	Yellow	595nm	2 lm	120°

Waterproof Aluminium Modul for Outside Application	
Part No.:	M24004
Customer:	

Drwaing	APPD.	CHKD.	Tolerance	Finish	DATE	24.07.2009
Harry	Jason	John	Wilson	Mason	Sheet No.	4 from 4