

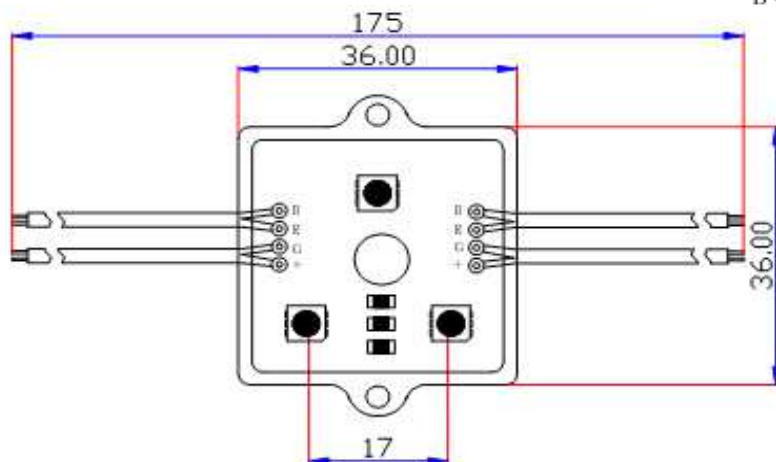
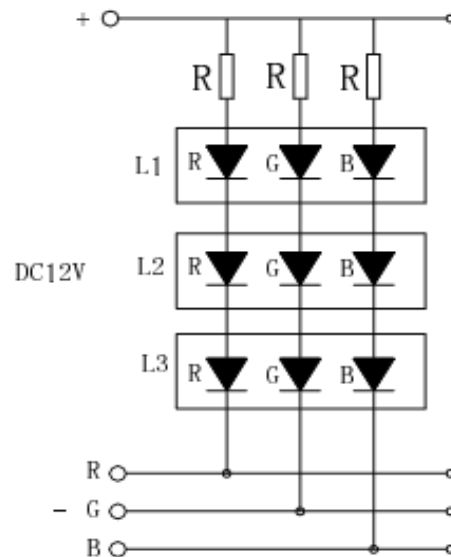
### Applications

- Interior automotive lighting(dashboard backlight etc...)
- Optical indicators
- High Tech Lightning
- Security Parts
- Automotive Products

### Technical LED inside

Size of LED	5050 RGB TOP LED
PCS	3
Waterproof	Yes
Case:	Steel Shell
Case Size Dimension:	36x36mm
Operating Current:	60mA per Module
Viewing Angle:	120°
Luminous Flux:	3 lm
Power Dissipation per Meter:	0,72 Watt

### Picture



**Waterproof Aluminium  
Modul for Outside  
Application**

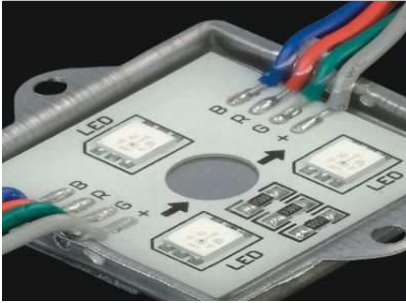
Part No.: **M24003**

Customer:

DATE 24.07.2009

Sheet No. 1 from 4

Drwaing	APPD.	CHKD.	Tolerance	Finish	DATE	24.07.2009
Harry	Jason	John	Wilson	Mason	Sheet No.	1 from 4



**EDCON**<sup>®</sup>  
**COMPONENTS**  
 A MEMBER OF EDCON-GROUP

**Packing Specification**

Antistatic Polybag

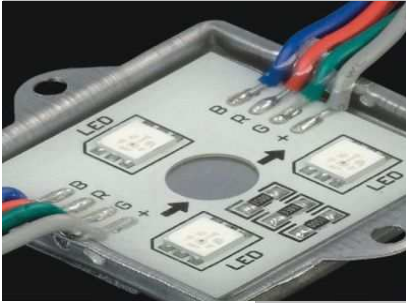


<b>Waterproof Aluminium Modul for Outside Application</b>	
Part No.:	<b>M24003</b>
Customer:	

Drwaing	APPD.	CHKD.	Tolerance	Finish	DATE	24.07.2009
Harry	Jason	John	Wilson	Mason	Sheet No.	2 from 4

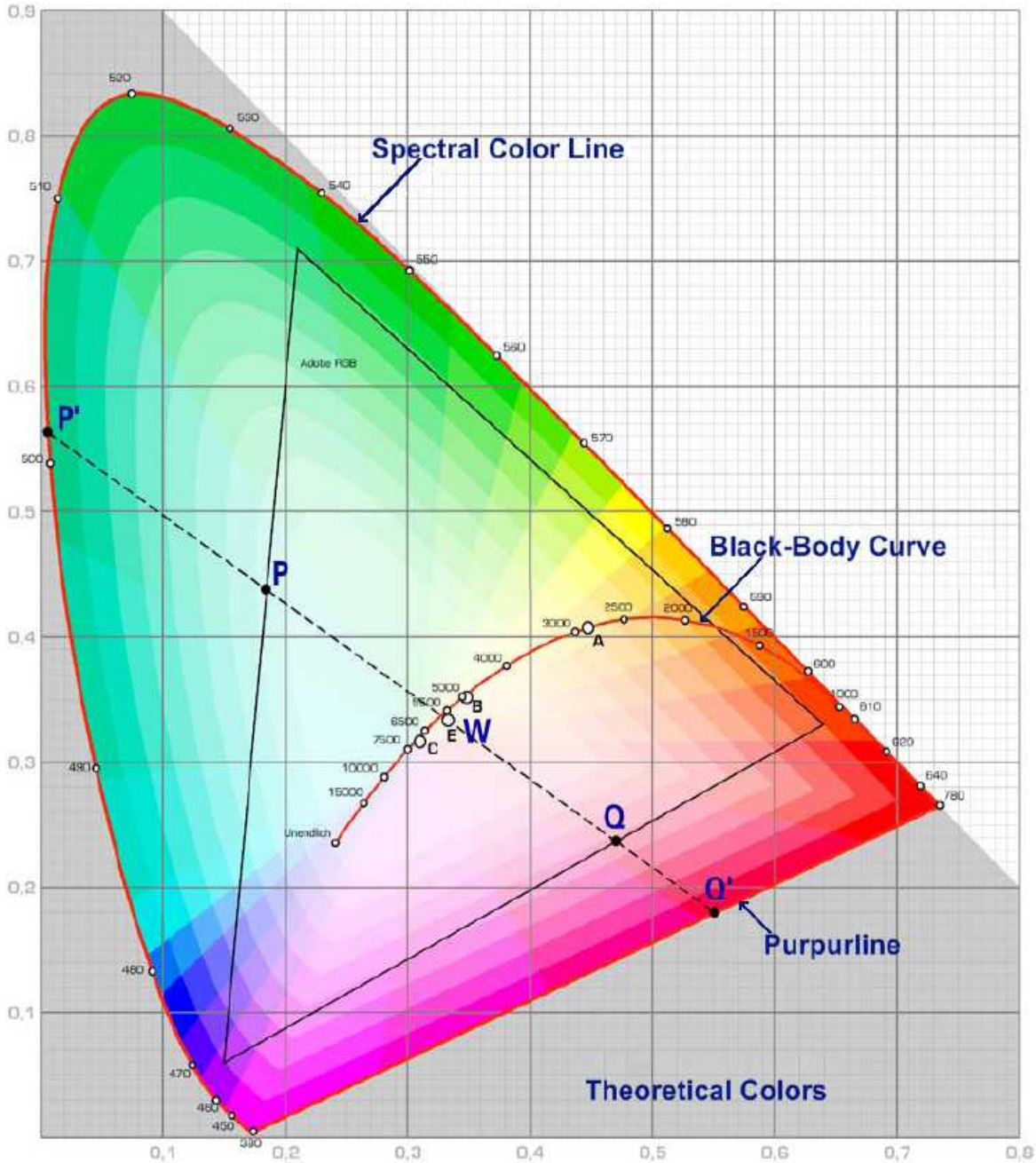
[www.edcon-components.com](http://www.edcon-components.com)

on-components.com



**EDCON**<sup>®</sup>  
**COMPONENTS**  
 A MEMBER OF EDCON-GROUP

Color table curve



**Waterproof Aluminium  
 Modul for Outside  
 Application**

Part No.: **M24003**

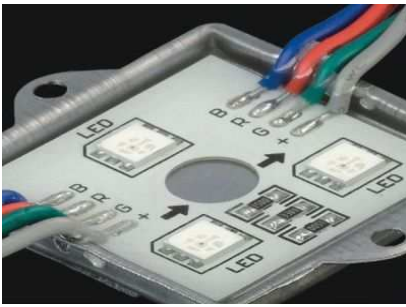
Customer:

Drwaing	APPD.	CHKD.	Tolerance	Finish	DATE	24.07.2009
Harry	Jason	John	Wilson	Mason	Sheet No.	3 from 4

[www.edcon-components.com](http://www.edcon-components.com)

on-components.com

© by EDCON-COMPONENTS



## Ordering Information

Serie	Color of LED	Voltage	Packing
<b>M24003</b>	<b>RGB01</b>	<b>12</b>	<b>B</b>

RGB01= Type 1	12= 12 Volt	<b>B= Bulk (Standard)</b> <b>I= Individuell (Standard)</b>
	5= 5 Volt	
	24= 24 Volt	

Code	E-Color	Wavelength	Lumi. Flux	V.Angle
<b>RGB01</b>	Red	630	3 lm	120°
	Green	525		
	Blue	470		

<b>Waterproof Aluminium Modul for Outside Application</b>	
Part No.:	<b>M24003</b>
Customer:	

Drwaing	APPD.	CHKD.	Tolerance	Finish	DATE	24.07.2009
Harry	Jason	John	Wilson	Mason	Sheet No.	4 from 4