



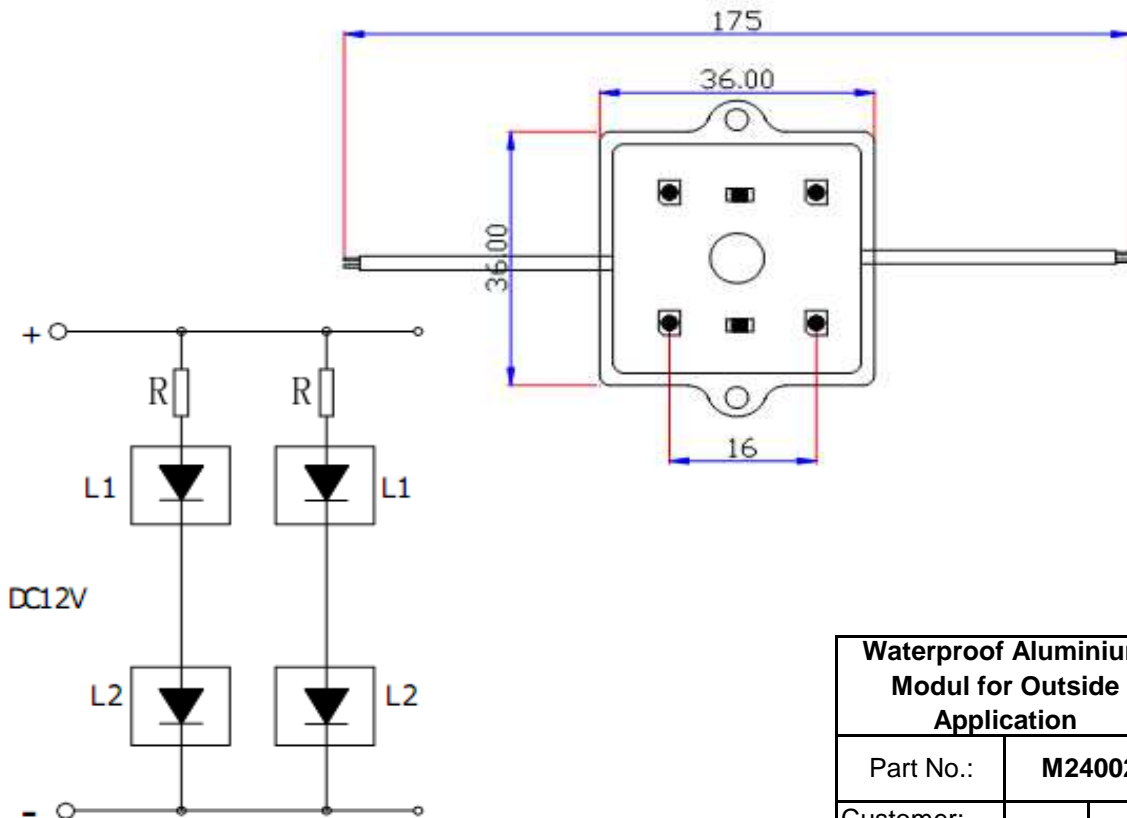
### Applications

- Interior automotive lighting(dashboard backlight etc...)
- Optical indicators
- High Tech Lightning
- Security Parts
- Automotive Products

### Technical LED inside

Size of LED	3528 Chip Technology
PCS	4
Waterproof	Yes
Case:	Steel Shell
Case Size Dimension:	36x36mm
Operating Current:	40mA per Module
Viewing Angle:	120°
Luminious Flux:	look table
Power Dissipation per Meter:	0,48 Watt

### Drawing



Waterproof Aluminium Modul for Outside Application	
Part No.:	<b>M24002</b>
Customer:	
DATE	24.07.2009
Sheet No.	1 from 4

Drwaing	APPD.	CHKD.	Tolerance	Finish	DATE	24.07.2009
Harry	Jason	John	Wilson	Mason	Sheet No.	1 from 4



**EDCON**<sup>®</sup>  
**COMPONENTS**  
 A MEMBER OF EDCON-GROUP

**Packing Specification**

Antistatic Polybag



<b>Waterproof Aluminium Modul for Outside Application</b>	
Part No.:	<b>M24002</b>
Customer:	
DATE	24.07.2009
Sheet No.	2 from 4

Drwaing	APPD.	CHKD.	Tolerance	Finish
Harry	Jason	John	Wilson	Mason

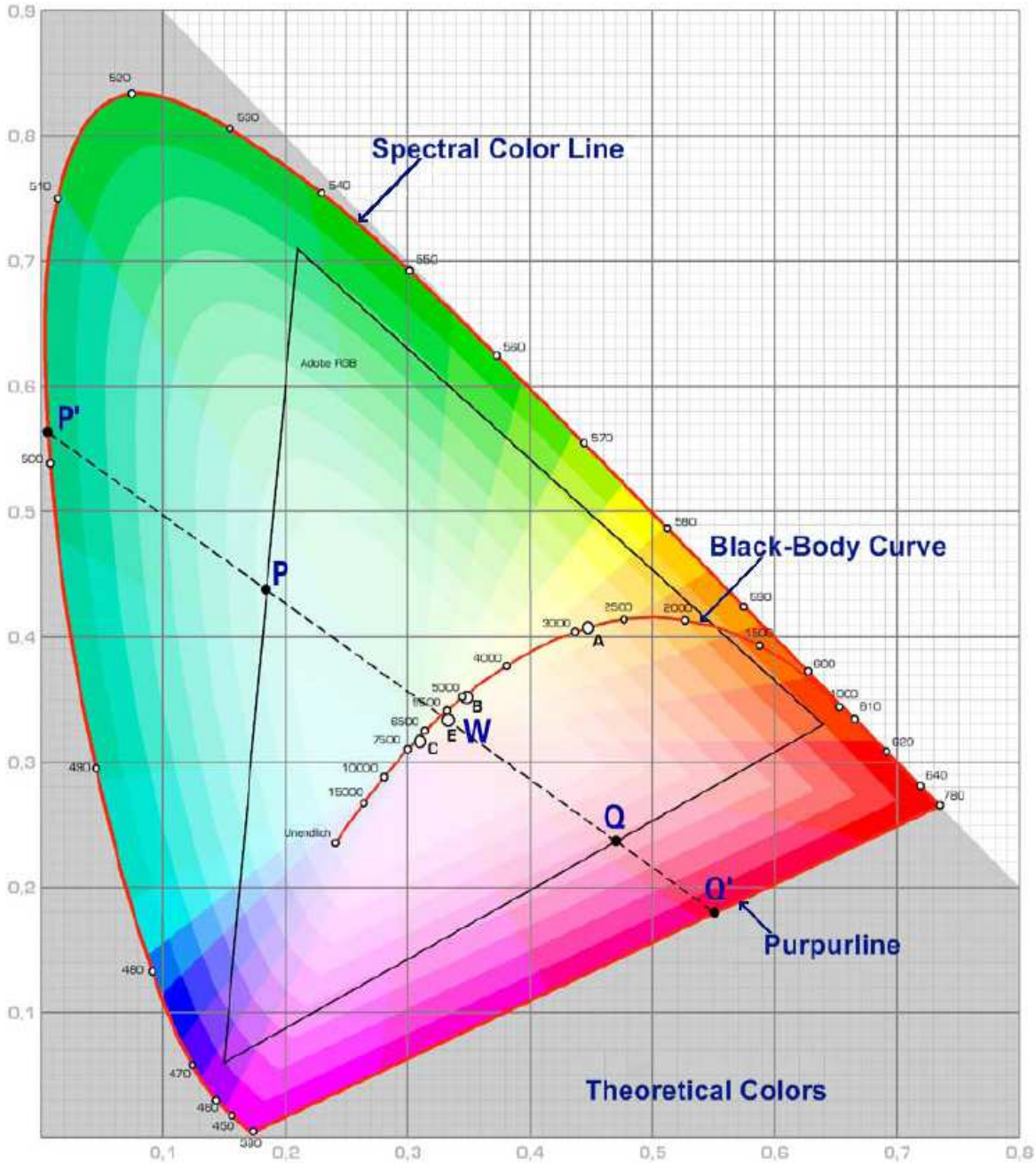
[www.edcon-components.com](http://www.edcon-components.com)

on-components.com



**EDCON**<sup>®</sup>  
**COMPONENTS**  
 A MEMBER OF EDCON-GROUP

Color table curve



**Waterproof Aluminium  
 Modul for Outside  
 Application**

Part No.: **M24002**

Customer:

Drwaing	APPD.	CHKD.	Tolerance	Finish	DATE	24.07.2009
Harry	Jason	John	Wilson	Mason	Sheet No.	3 from 4

[www.edcon-components.com](http://www.edcon-components.com)

on-components.com

© by EDCON-COMPONENTS



## Ordering Information

<b>Serie</b>	<b>Color of LED</b>	<b>Voltage</b>	<b>Packing</b>	
<b>M24002</b>	<b>CW</b>	<b>12</b>	<b>B</b>	

<b>CW= Cool White</b>	<b>12= 12 Volt</b>	<b>B= Bulk (Standard)</b> <b>I= Individuell (Standard)</b>
<b>WW= Warm White</b>	<b>5= 5 Volt</b>	
<b>RD= Red</b>	<b>24= 24 Volt</b>	
<b>GN= Green</b>		
<b>BL= Blue</b>		
<b>YE= Yellow</b>		

Code	E-Color	Wavelength	Lumi. Flux	V.Angle
<b>CW</b>	Cool White	9000K	18 lm	120°
<b>WW</b>	Warm White	3500K	16 lm	120°
<b>RD</b>	Red	470nm	4 lm	120°
<b>GN</b>	Green	525nm	11 lm	120°
<b>BL</b>	Blue	630nm	4 lm	120°
<b>YE</b>	Yellow	595nm	4 lm	120°

<b>Waterproof Aluminium Modul for Outside Application</b>	
Part No.:	<b>M24002</b>
Customer:	

Drwaing	APPD.	CHKD.	Tolerance	Finish	DATE	24.07.2009
Harry	Jason	John	Wilson	Mason	Sheet No.	4 from 4