



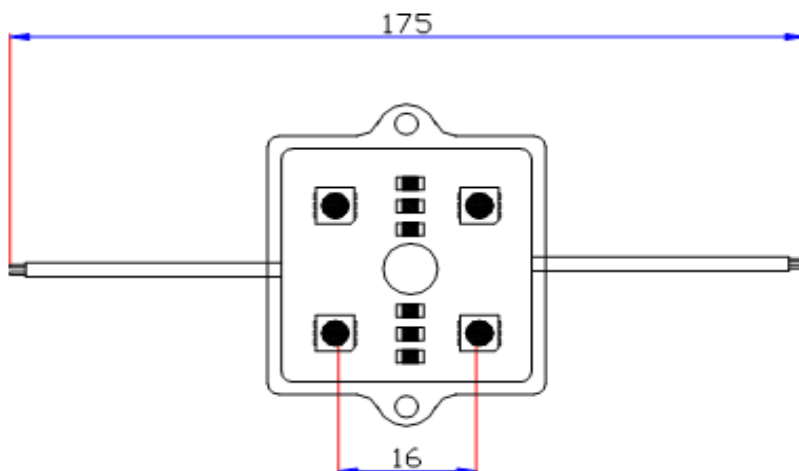
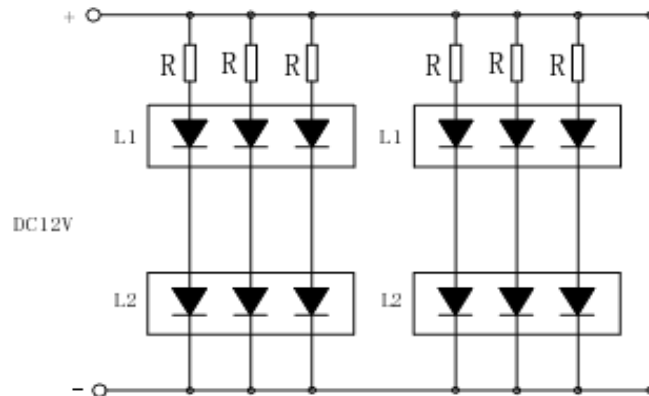
Applications

- Interior automotive lighting(dashboard backlight etc...)
- Optical indicators
- High Tech Lightning
- Security Parts
- Automotive Products

Technical LED inside

Size of LED	5050 3 Chip Technology
PCS	4
Waterproof	Yes
Case:	Steel Shell
Case Size Dimension:	36x36mm
Operating Current:	120mA per Module
Viewing Angle:	120°
Luminous Flux:	48 lm
Power Dissipation per Meter:	1,44 Watt

Picture



Waterproof Aluminium Modul for Outside Application

Part No.: **M24001**

Customer:

DATE 24.07.2009

Sheet No. 1 from 4

Drwaing	APPD.	CHKD.	Tolerance	Finish	DATE	24.07.2009
Harry	Jason	John	Wilson	Mason	Sheet No.	1 from 4



EDCON[®]
COMPONENTS
 A MEMBER OF EDCON-GROUP

Packing Specification

Antistatic Polybag



2009/03/07_12:27:31

Picture: 0042-20090307_122731.bmp



Waterproof Aluminium Modul for Outside Application	
Part No.:	M24001
Customer:	
DATE	24.07.2009
Sheet No.	2 from 4

Drwaing	APPD.	CHKD.	Tolerance	Finish
Harry	Jason	John	Wilson	Mason

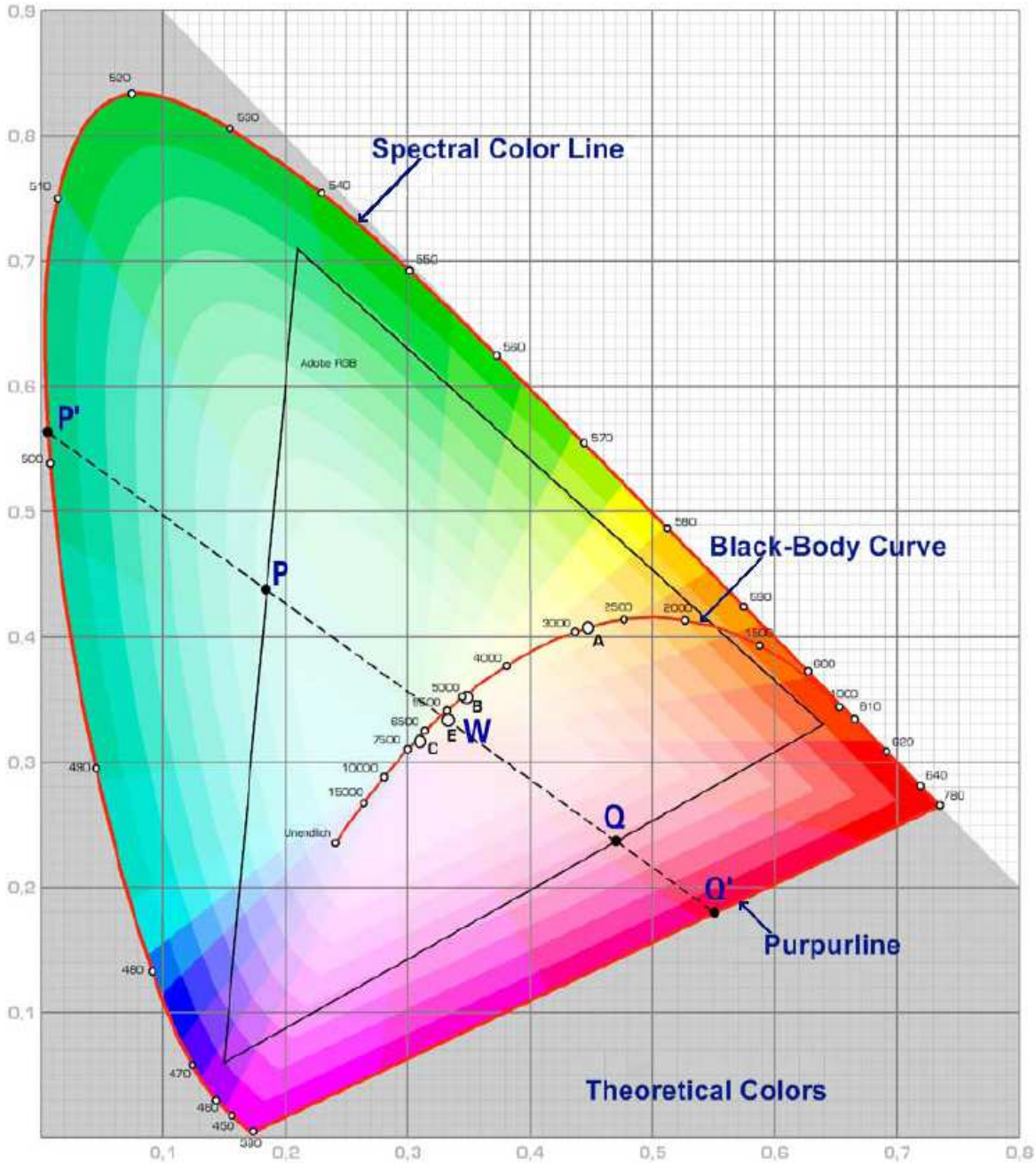
www.edcon-components.com

on-components.com



EDCON[®]
COMPONENTS
 A MEMBER OF EDCON-GROUP

Color table curve



**Waterproof Aluminium
 Modul for Outside
 Application**

Part No.: **M24001**

Customer:

Drwaing	APPD.	CHKD.	Tolerance	Finish	DATE	24.07.2009
Harry	Jason	John	Wilson	Mason	Sheet No.	3 from 4

www.edcon-components.com

on-components.com

© by EDCON-COMPONENTS



Ordering Information

Serie	Color of LED	Voltage	Packing	
M24001	CW	12	B	

CW = Cool White	12 = 12 Volt	B = Bulk (Standard) I = Individuell (Standard)
WW = Warm White	5 = 5 Volt	
RD = Red	24 = 24 Volt	
GN = Green		
BL = Blue		
YE = Yellow		

Code	E-Color	Wavelength	Lumi. Flux	V.Angle
CW	Cool White	9000K	48 lm	120°
WW	Warm White	3500K	40 lm	120°
RD	Red	470nm	8 lm	120°
GN	Green	525nm	24 lm	120°
BL	Blue	630nm	8 lm	120°
YE	Yellow	595nm	12 lm	120°

Waterproof Aluminium Modul for Outside Application	
Part No.:	M24001
Customer:	

Drwaing	APPD.	CHKD.	Tolerance	Finish	DATE	24.07.2009
Harry	Jason	John	Wilson	Mason	Sheet No.	4 from 4