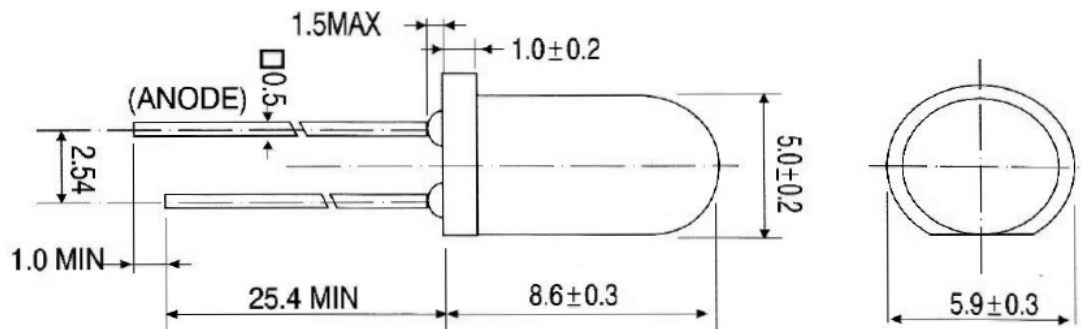




**Applications**

- Electronic Signs and Signals
- Small Area Illuminations
  - Back Lighting
  - Other Lighting

**Technical Drawing**



**Notes :**

All dimensions in mm tolerance is ± 0.1mm unless otherwise noted.

|                                |                 |
|--------------------------------|-----------------|
| <b>Round LED</b><br><b>Red</b> |                 |
| Part No.:                      | <b>M13C3034</b> |
| Customer:                      |                 |

|       |      |      |       |        |      |       |            |
|-------|------|------|-------|--------|------|-------|------------|
| DRW:  | Dong | CHKD | Chang | MATL:  | Chui | DATE  | 04.12.2009 |
| APPD: | Ping |      |       | FINISH | Hui  | Sheet | 1 from 6   |



**Absolute Maximum Ratings**

Ta=25°C

| Item                   | Symbol            | ---       | Unit |
|------------------------|-------------------|-----------|------|
| Power Dissipation      | P <sub>D</sub>    | 300       | mW   |
| DC Forward Current     | I <sub>F</sub>    | 500       | mA   |
| Pulsed Forward Current | I <sub>FP</sub> * | 100       | mA   |
| Reverse Voltage        | V <sub>R</sub>    | 5         | V    |
| Operating Temperature  | T <sub>OP</sub>   | -40 to 70 | °C   |
| Storage Temperature    | T <sub>ST</sub>   | -40 to 80 | °C   |

\* 0.1 msec pulse, 10% duty cycle

**Electrical / Optical Characteristics**

I<sub>F</sub>=20mA Ta=25°C

| Ermitting Color      | Red            |           |                |
|----------------------|----------------|-----------|----------------|
| Material             | ---            |           |                |
| Forward Voltage      | typ.           | 2.2       | V <sub>F</sub> |
|                      | max.           | 2.8       | V <sub>F</sub> |
| Wavelength<br>typ.   | λ <sub>D</sub> | 620 ~ 630 | nm             |
|                      | λ <sub>P</sub> | ---       | nm             |
|                      | Δλ             | ---       | nm             |
| Color Temperature    | min.           | ---       | K              |
|                      | max.           | ---       | K              |
| Luminous Intensity * | min.           | 4         | lm             |
|                      | typ.           | 5         | lm             |
| Reverse Current      | max.           | 50        | μA             |
| Viewing Angle        | 2Θ1/2          | 35        |                |

\* Per NIST standards

|                          |                 |
|--------------------------|-----------------|
| <b>Round LED<br/>Red</b> |                 |
| Part No.:                | <b>M13C3034</b> |
| Customer:                |                 |

|       |      |      |       |        |      |       |            |
|-------|------|------|-------|--------|------|-------|------------|
| DRW:  | Dong | CHKD | Chang | MATL:  | Chui | DATE  | 04.12.2009 |
| APPD: | Ping |      |       | FINISH | Hui  | Sheet | 2 from 6   |



### Directive Characteristics

**Round LED  
Red**

Part No.: **M13C3034**

Customer:

|       |      |      |       |        |      |       |            |
|-------|------|------|-------|--------|------|-------|------------|
| DRW:  | Dong | CHKD | Chang | MATL:  | Chui | DATE  | 04.12.2009 |
| APPD: | Ping |      |       | FINISH | Hui  | Sheet | 3 from 6   |

Copyright by EDCON-COMPONENTS



Curve

**Round LED**  
**Red**

Part No.: **M13C3034**

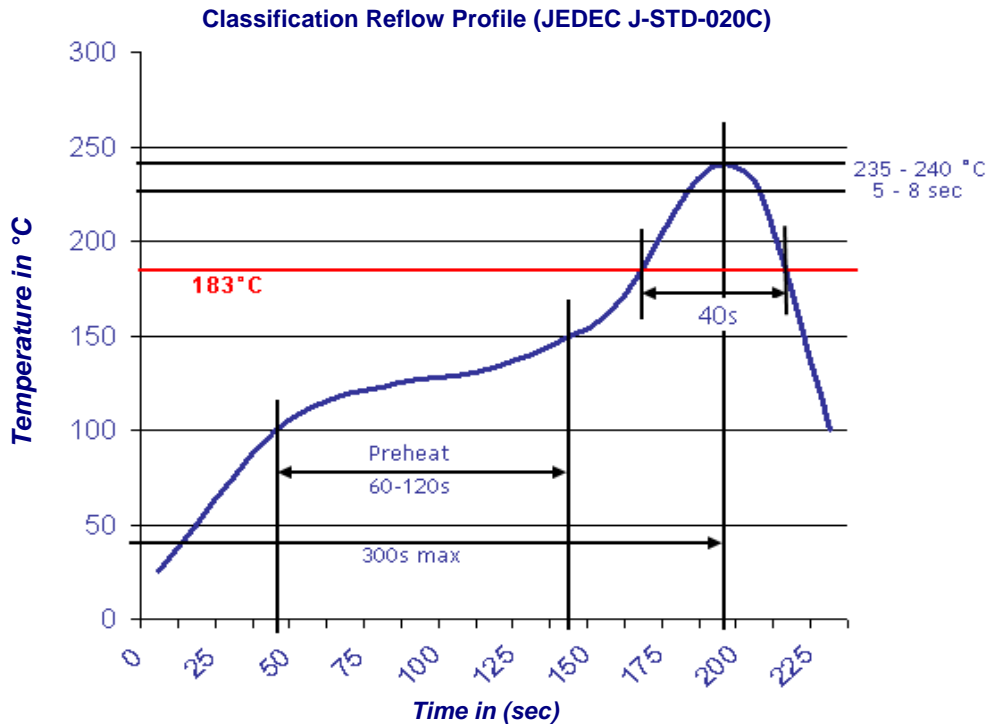
Customer:

|       |      |      |       |        |      |       |            |
|-------|------|------|-------|--------|------|-------|------------|
| DRW:  | Dong | CHKD | Chang | MATL:  | Chui | DATE  | 04.12.2009 |
| APPD: | Ping |      |       | FINISH | Hui  | Sheet | 4 from 6   |



**Solder Condition**

**Lead Free Solder**



**Round LED  
Red**

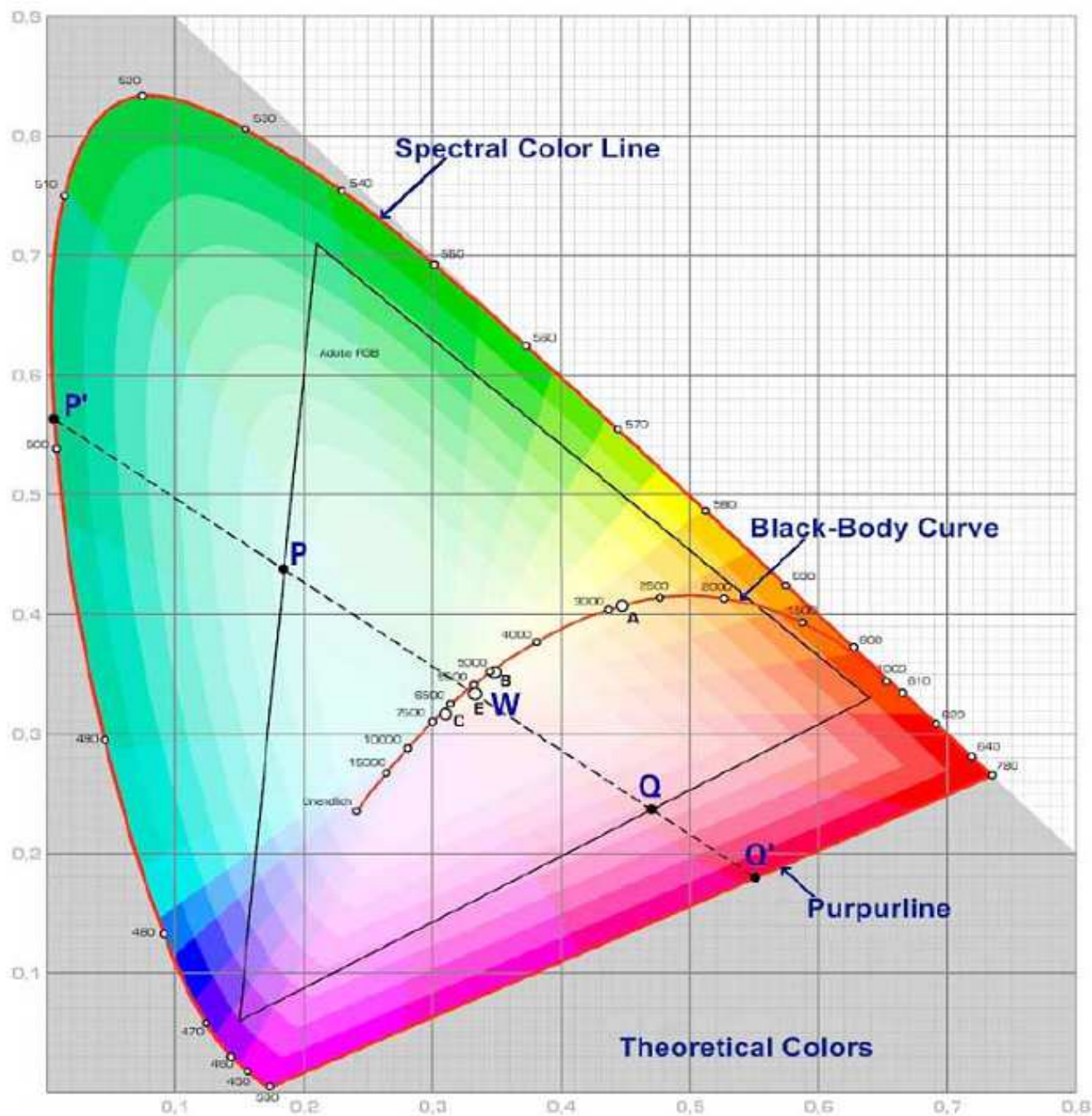
Part No.: **M13C3034**

Customer:

|       |      |      |       |        |      |       |            |
|-------|------|------|-------|--------|------|-------|------------|
| DRW:  | Dong | CHKD | Chang | MATL:  | Chui | DATE  | 04.12.2009 |
| APPD: | Ping |      |       | FINISH | Hui  | Sheet | 5 from 6   |



**Color table curve**



|                          |                 |
|--------------------------|-----------------|
| <b>Round LED<br/>Red</b> |                 |
| Part No.:                | <b>M13C3034</b> |
| Customer:                |                 |

|       |      |      |       |        |      |       |            |
|-------|------|------|-------|--------|------|-------|------------|
| DRW:  | Dong | CHKD | Chang | MATL:  | Chui | DATE  | 04.12.2009 |
| APPD: | Ping |      |       | FINISH | Hui  | Sheet | 6 from 6   |

Copyright by EDCON-COMPONENTS