

# EDCON-COMPONENTS



## Q25012

### Informations

Terminal plating by gold gives excellent results when soldering  
 Two styles of actuator RI-Serie Standard 1,3mm height / RIR-Serie plan with Body  
 Low contact resistance, and self-clean on contact area.  
 Double contact offer high reliability.  
 All materials are UL94V-0 grade fire retardent plastics.  
 Two Styles LEG S= Splay Terminal and H= for Automatic Insertion machine

### Technical Specifications:

#### ELECTRICAL:

Electrical life: 2000 operations per cycle switch  
 Operating force: 800gf max.  
 Stroke: 2,0mm  
 Operating Temperature: -25°C to + 70°C  
 Storage Temperature: -40°C to +85°C  
 Vibration Test: MIL-STD-202F Method 213B  
 Frequency: 10-55Hz/1 min.  
 Directions: X,YZ three mutually perpendicular directions  
 Time: 2hours each direction  
 High reliability

#### SOLDERING AND CLEANING PROCESS

For best results, please follow these recommendations:  
 Keep all switch contacts in their "OFF" positions for all operations.

#### WAVE SOLDERING:

Recommended solder temperature at 500F (260°C)  
 max. 5 seconds.

#### HAND SOLDERING:

Use a soldering iron of 30watts, controlled at 608F (320°C)  
 approximately 2 seconds while applying solder.

#### CLEANING PROCESS:

Flux clean using force rinse, high agitation or triple bath cleaning method. Freon TF or TE give excellent results.  
 When capor methods are used, do not subject the switch to solvent at temperature above 125 F (51°C).

### Material Specifications

| Item | Description | Materials       | Treatment    |
|------|-------------|-----------------|--------------|
| 1    | Actuator    | UL94V-0 PBT     | White        |
| 2    | Cover       | UL94V-0 PBT     | Blue,Red,Blk |
| 3    | Base        | UL94V-0 PBT     | Black        |
| 4    | Terminal    | Phosphor Bronze | Gold Plating |
| 5    | Potting     | Epoxy           | Black        |

### Dimension Table

| Pos. | A     | B |
|------|-------|---|
| 2    | 6,68  |   |
| 3    | 9,22  |   |
| 4    | 11,76 |   |
| 5    | 14,30 |   |
| 6    | 16,84 |   |
| 7    | 19,38 |   |
| 8    | 21,92 |   |
| 9    |       |   |
| 10   | 27,00 |   |
| 12   | 32,08 |   |

### THT DIP-SWITCH

Part No.: **Q25012**

Customer:

|       |       |      |        |        |        |       |            |
|-------|-------|------|--------|--------|--------|-------|------------|
| DRW:  | Jason | CHKD | Wilson | MATL:  | Wilson | DATE  | 03.05.2009 |
| APPD: | Jason |      |        | FINISH | Jamy   | Sheet | 1 from 3   |

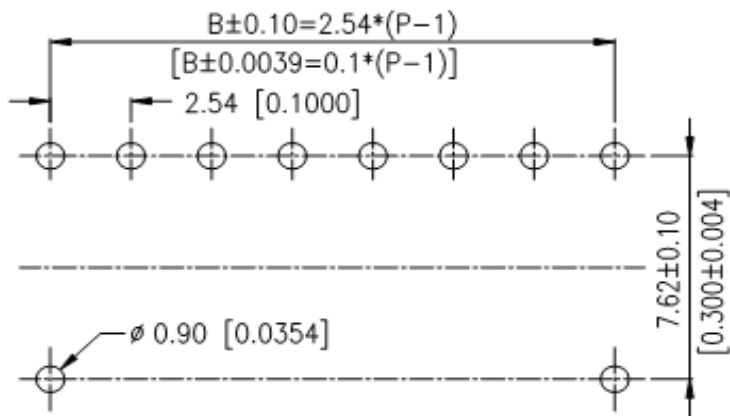
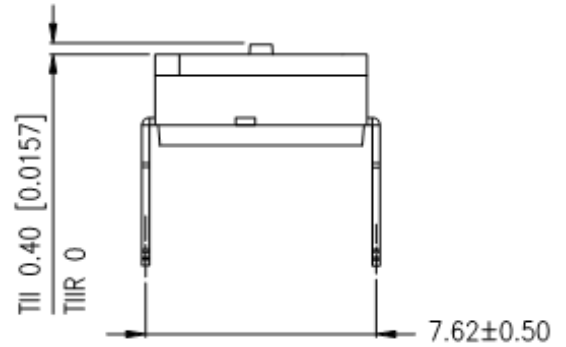
Copyright by EDCON-COMPONENTS H.Schmitt 11.6.2009

# EDCON-COMPONENTS

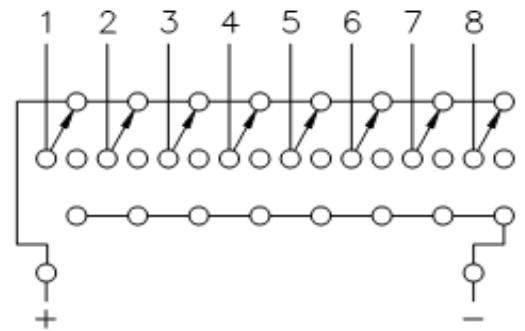


## Technical Specification

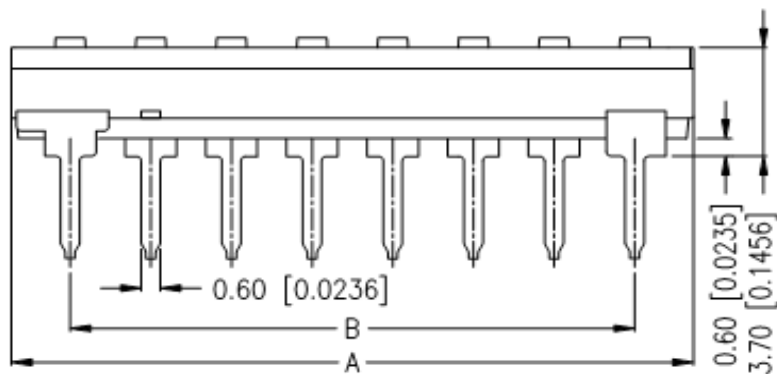
## Technical Drawing:



P.C.B. LAYOUT



CIRCUIT DIAGRAM



### THT DIP-SWITCH

Part No.: **Q25012**

Customer:

|       |       |      |        |        |        |       |            |
|-------|-------|------|--------|--------|--------|-------|------------|
| DRW:  | Jason | CHKD | Wilson | MATL:  | Wilson | DATE  | 03.05.2009 |
| APPD: | Jason |      |        | FINISH | Jamy   | Sheet | 2 from 3   |

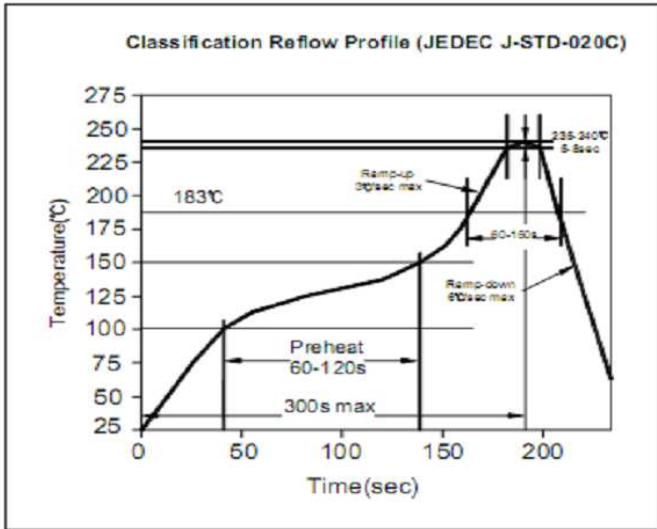
Copyright by EDCON-COMPONENTS H.Schmitt 11.6.2009

# EDCON-COMPONENTS

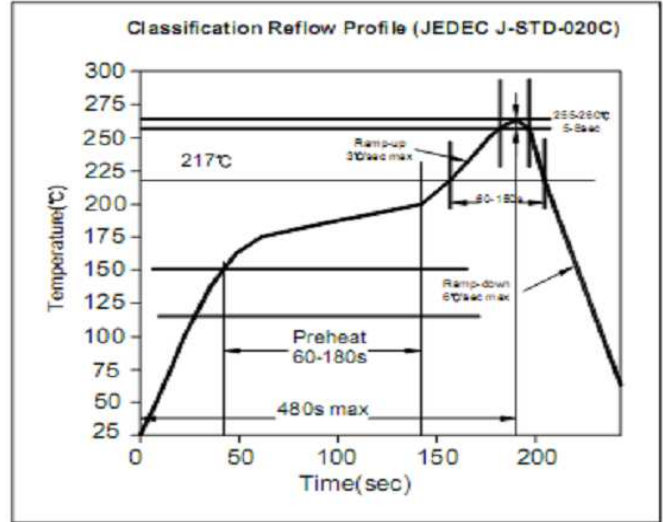


## Solder Profile

### Lead Solder



### Lead free Solder



## Ordering Informations:

| Item-No.      | Circuit  | Actuator | Body Color | Function | ROHS     | Packing   |
|---------------|----------|----------|------------|----------|----------|-----------|
| <b>Q25012</b> | <b>8</b> | <b>L</b> | <b>BK</b>  | <b>H</b> | <b>R</b> | <b>TU</b> |

| 2,3,4,5,6,7,8,<br>9,10,12 | L= Long<br>Actuator<br>S= Short<br>Actuator | BK= Black | H= Automatic<br>Insertion | R= ROHS<br>N= Non<br>ROHS | TU= Tube<br>(Standard)<br>TY= Tray<br>Packing |
|---------------------------|---|-----------|---------------------------|---------------------------|---|
|                           |   |           |                           |                           |   |
|                           |   |           |                           |                           |   |
|                           |   |           |                           |                           |   |
|                           |   |           |                           |                           |   |
|                           |   |           |                           |                           |   |
|                           |   |           |                           |                           |   |
|                           |   |           |                           |                           |   |
|                           |   |           |                           |                           |   |
|                           |   |           |                           |                           |   |

|                       |               |
|-----------------------|---------------|
| <b>THT DIP-SWITCH</b> |               |
| Part No.:             | <b>Q25012</b> |
| Customer:             |               |

|       |       |      |        |        |        |       |            |
|-------|-------|------|--------|--------|--------|-------|------------|
| DRW:  | Jason | CHKD | Wilson | MATL:  | Wilson | DATE  | 03.05.2009 |
| APPD: | Jason |      |        | FINISH | Jamy   | Sheet | 3 from 3   |

Copyright by EDCON-COMPONENTS H.Schmitt 11.6.2009