

EDCON-COMPONENTS



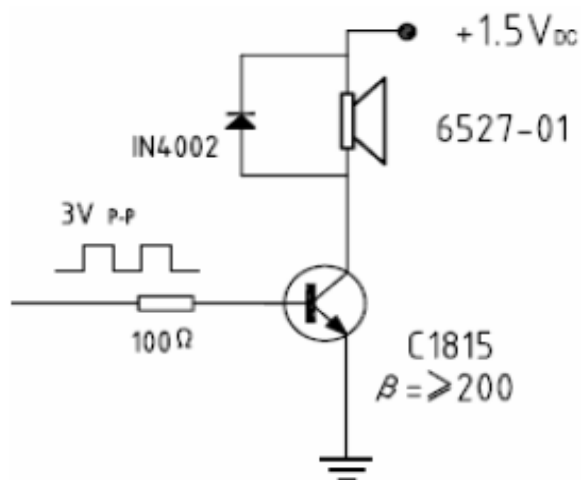
Specifications

Min. Sound Pressure Level at 1,5V Square Wave /2731Hz /10cm	70dB
Rated Voltage	1,5Volt
Operating Voltage	1~2Volt
Max. Consumption at 2,7KHz/7,2Vp.p. Square Wave	700mA/1,5Vdc
Resonant Frequency	2,731KHz
Coil Resistance	6,5Ω
Operating Temperature	. -20 ~ +85°C
Storage Temperature	. -30 ~ +85°C

Weight: 1gr.

This Label is removed after reflow soldering

Test Circuit



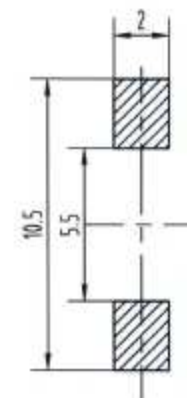
Features

Super Miniature
Low Frequency
Low Voltage

Applications

Automatic Control Equipment
Communication Equipment
Electronic Instruments

PCB Layout



**SMD Piezo Transducer
External Drive**

Part No.: **Y16001**

DRW:	Jason	CHKD	Wilson	MATL:	Wilson	TOLERANCE	Mason	DATE	10.06.2010
APPD:	Schumi			FINISH	Jamy		Sheet No.	1 from 4	Customer:

www.edcon-components.com

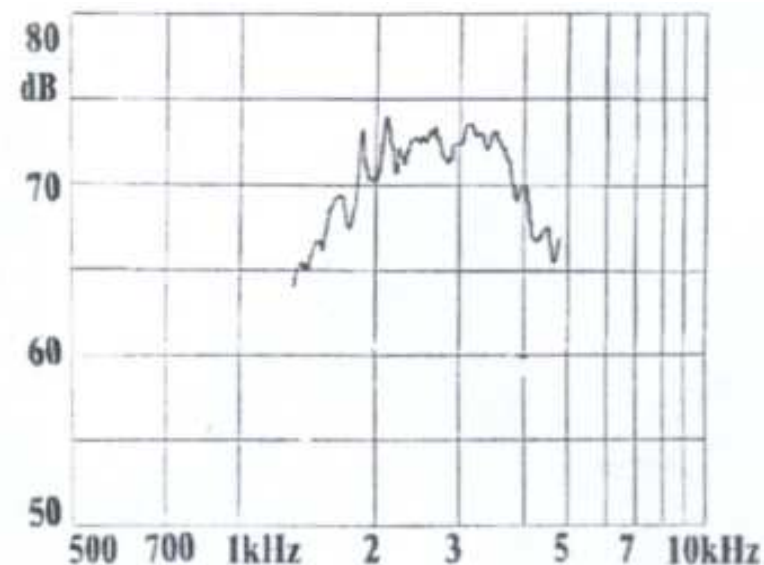
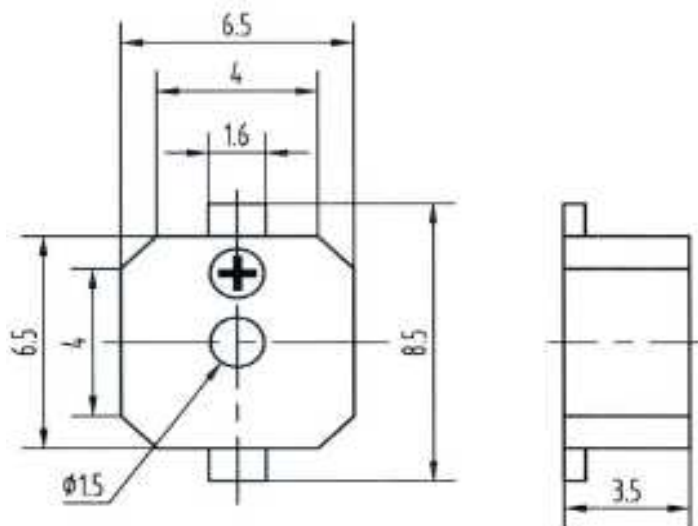
email: info@edcon-components.com

EDCON-COMPONENTS



Dimensions (mm)

Characteristics



**SMD Piezo Transducer
External Drive**

Part No.: **Y16001**

DRW:	Jason	CHKD	Wilson	MATL:	Wilson	TOLERANCE	Mason	DATE	10.06.2010	Customer:
APPD:	Schumi			FINISH	Jamy		Sheet No.	2 from 4		

www.edcon-components.com

email: info@edcon-components.com

EDCON-COMPONENTS



Ordering Informations

Serie	Model-No.	ROHS	Package						
Y16001	652701	R	TR						

R = ROHS Conform	TR = Tape Reel
N = NON ROHS Conform	TU = Tube Packing
	TY = Tray Packing

**SMD Piezo Tranducer
External Drive**

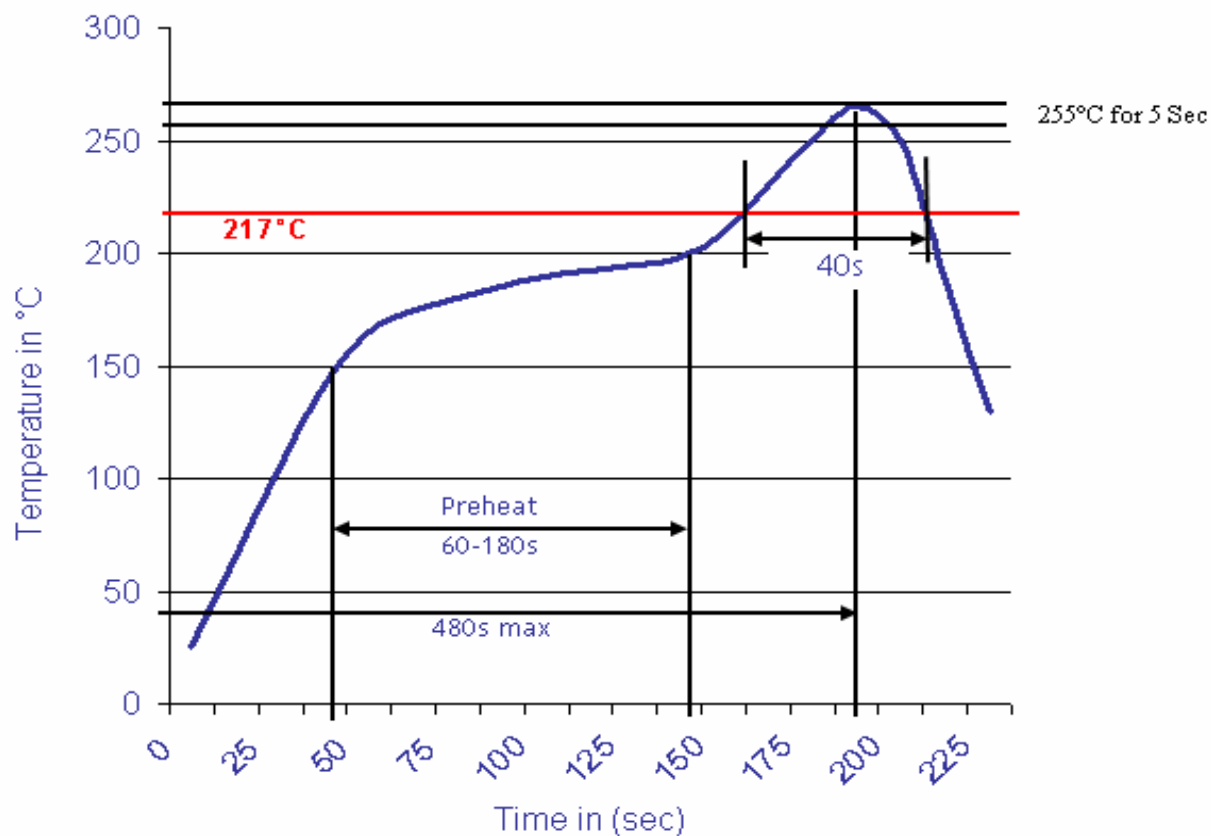
Part No.: **Y16001**

DRW:	Jason	CHKD	Wilson	MATL:	Wilson	TOLERANCE	Mason	DATE	10.06.2010
APPD:	Schumi			FINISH	Jamy		Sheet No.	3 from 4	Customer:



Soldering Profile Curve

Classification Reflow Profile (JEDEC J-STD-020C)



**SMD Piezo Transducer
External Drive**

Part No.: **Y16001**

DRW:	Jason	CHKD	Wilson	MATL:	Wilson	TOLERANCE	Mason	DATE	10.06.2010
APPD:	Schumi			FINISH	Jamy		Sheet No.	4 from 4	Customer: