

EDCON-COMPONENTS



Specifications

Min. Sound Pressure Level at 5Vdc /10cm	85dB
Rated Voltage	5Volt DC
Operating Voltage	4~7Volt DC
Max. Consumption at 2,7KHz/7,2Vp.p. Square Wave	30mA/5Vdc
Resonant Frequency	2,3KHz +/-300Hz
Operating Temperature	. -20 ~ +105°C
Storage Temperature	. -30 ~ +105°C
Housing Material	PPS
Weight:	2,0gr.

This Label is removed after reflow soldering

Test Circuit

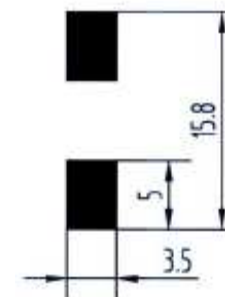
Features

This Item is designed for surface mounting Applications
The Pin is plated with tin which can meet request of reflow Soldering Process at 260°C for 30 seconds

Applications

Miniature Electronic Devices

PCB Layout



SMD Magnetic Buzzer

Part No.: Y15010

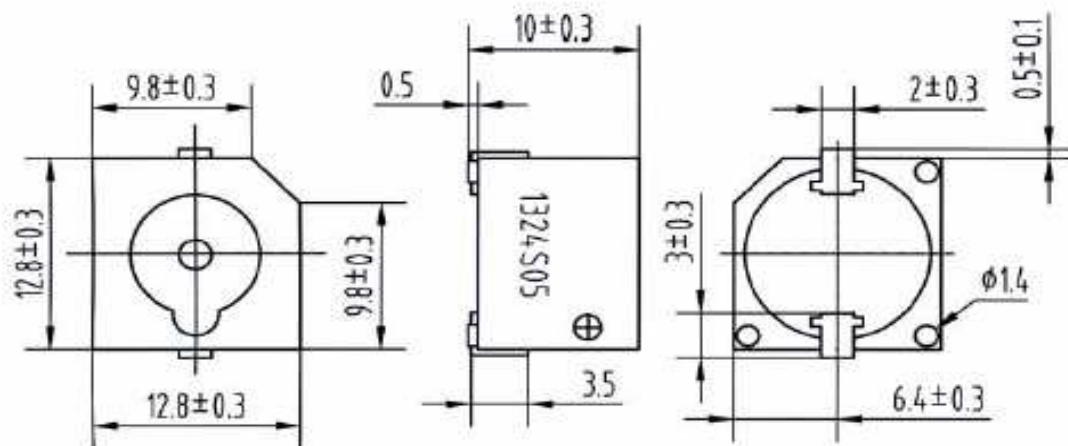
Customer:

DRW:	Jason	CHKD	Wilson	MATL:	Wilson	TOLERANCE	Mason	DATE	10.06.2010
APPD:	Schumi			FINISH	Jamy		Sheet No.	1 from 4	

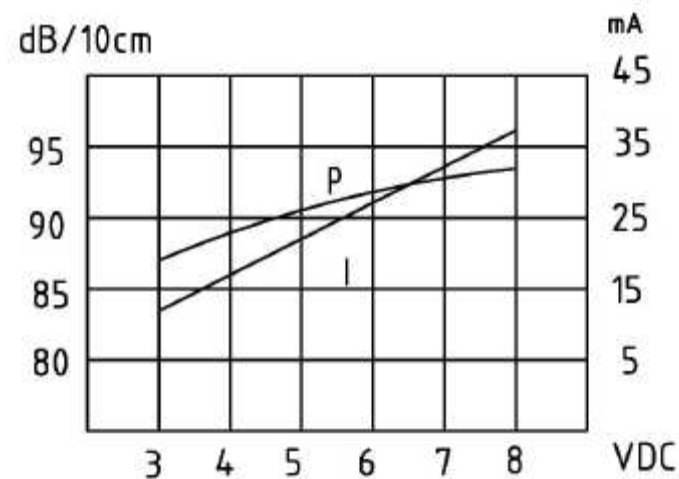
EDCON-COMPONENTS



Dimensions (mm)



Characteristics



SMD Magnetic Buzzer

Part No.: **Y15010**

DRW:	Jason	CHKD	Wilson	MATL:	Wilson	TOLERANCE	Mason	DATE	10.06.2010
APPD:	Schumi			FINISH	Jamy		Sheet No.	2 from 4	Customer:

www.edcon-components.com

email: info@edcon-components.com

EDCON-COMPONENTS



Ordering Informations

Serie	Model-No.	ROHS	Package						
Y15010	1324S05	R	TR						

R = ROHS Conform	TR = Tape Reel
N = NON ROHS Conform	TU = Tube Packing
	TY = Tray Packing

SMD Magnetic Buzzer

Part No.: **Y15010**

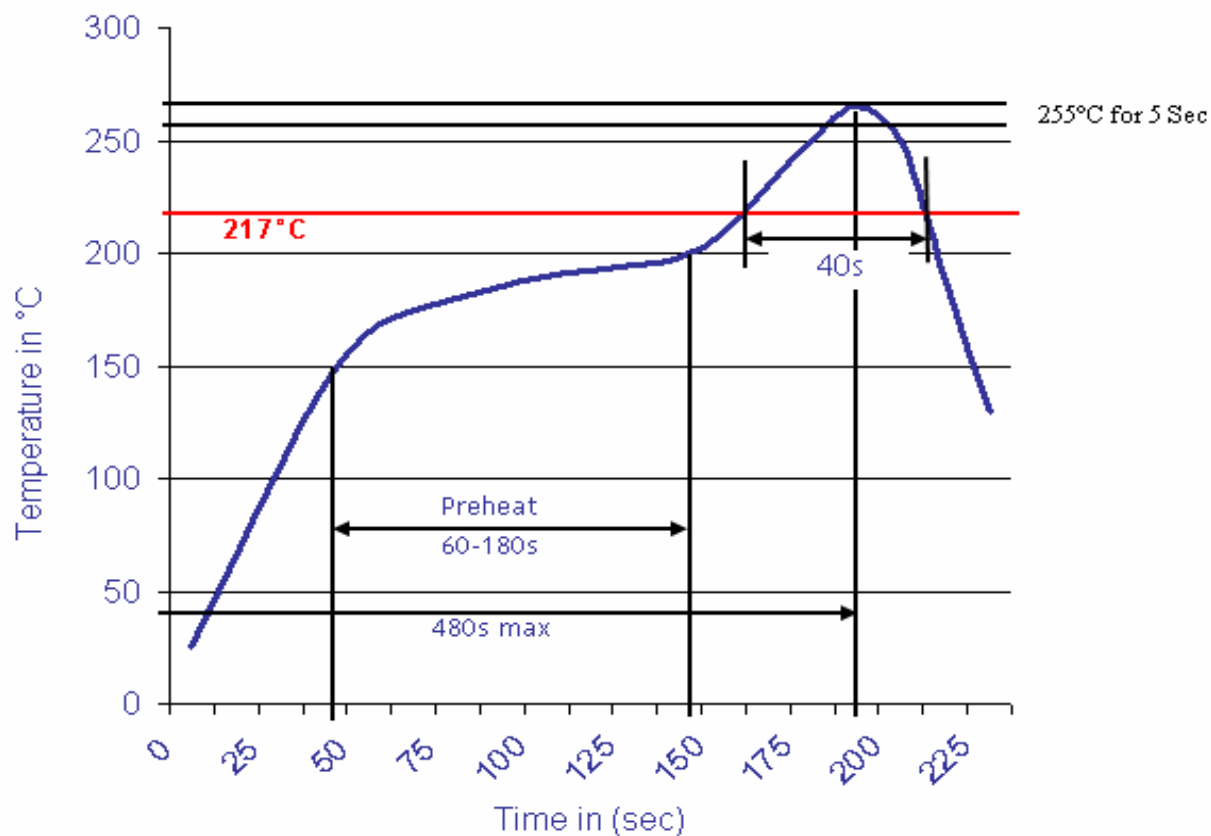
DRW:	Jason	CHKD	Wilson	MATL:	Wilson	TOLERANCE	Mason	DATE	10.06.2010
APPD:	Schumi			FINISH	Jamy		Sheet No.		3 from 4

Customer:



Soldering Profile Curve

Classification Reflow Profile (JEDEC J-STD-020C)



SMD Magnetic Buzzer

Part No.: **Y15010**

DRW:	Jason	CHKD	Wilson	MATL:	Wilson	TOLERANCE	Mason	DATE	10.06.2010
APPD:	Schumi			FINISH	Jamy		Sheet No.	4 from 4	Customer: