

# EDCON-COMPONENTS

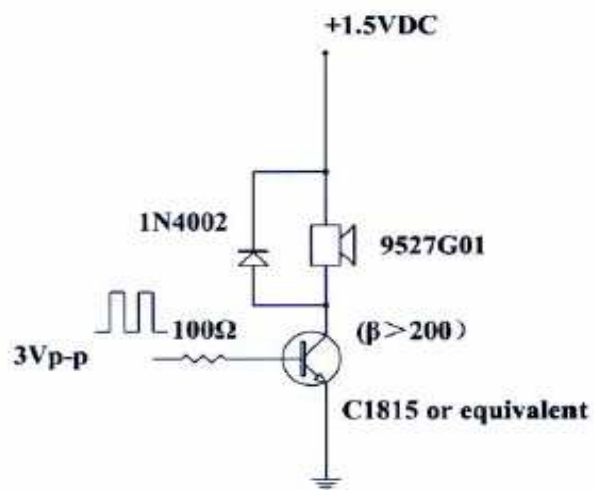


## Specifications

Min. Sound Pressure Level at 1,5V Square Wave / 2731Hz / 10cm	80dB
Rated Voltage	1,5Volt
Operating Voltage	1~2Volt
Max. Consumption at 2,7KHz/7,2Vp.p. Square Wave	80mA / 1,5Vdc
Resonant Frequency	2,731KHz
DC Resistance	5,5 +/- 2Ω
Operating Temperature	. -20 ~ +80°C
Storage Temperature	. -20 ~ +80°C
Case Material	LCP
Weight:	0,8gr.

This Label is removed after reflow soldering

## Test Circuit



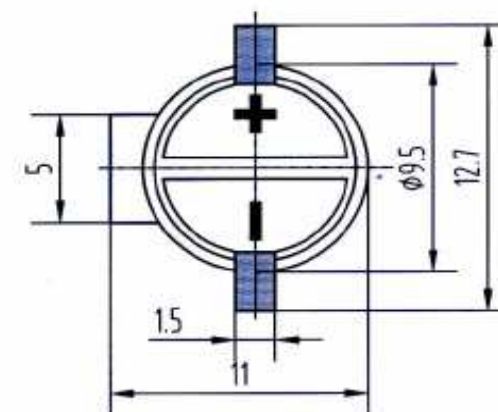
## Features

Low Frequency  
Low Voltage  
Small and slim size

## Applications

Automatic Control Equipment  
Communication Equipment  
Electronic Equipments

## PCB Layout



**SMD Magnetic Transducer**

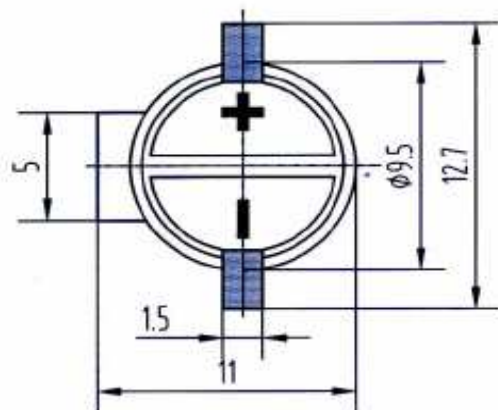
Part No.: **Y14041**

DRW:	Jason	CHKD	Wilson	MATL:	Wilson	TOLERANCE	Mason	DATE	10.06.2010	Customer:
APPD:	Schumi			FINISH	Jamy		Sheet No.	1 from 4		

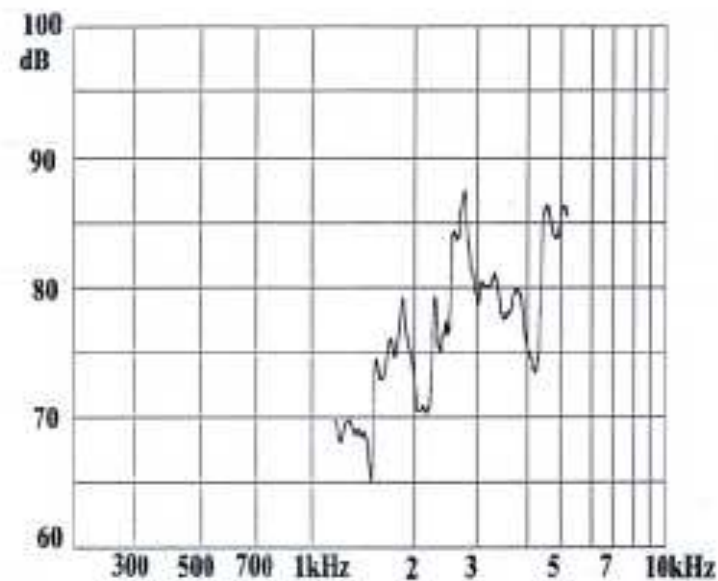
# EDCON-COMPONENTS



## Dimensions (mm)



## Characteristics



**SMD Magnetic Transducer**

Part No.: **Y14041**

Customer:

DRW:	Jason	CHKD	Wilson	MATL:	Wilson	TOLERANCE	Mason	DATE	10.06.2010
APPD:	Schumi			FINISH	Jamy		Sheet No.	2 from 4	

[www.edcon-components.com](http://www.edcon-components.com)

email: [info@edcon-components.com](mailto:info@edcon-components.com)

# EDCON-COMPONENTS



## Ordering Informations

Serie	Model-No.	ROHS	Package						
<b>Y14041</b>	<b>9527G01</b>	<b>R</b>	<b>TY</b>						

<b>R</b> = ROHS Conform	<b>TY</b> = Tray Packing
<b>N</b> = NON ROHS Conform	<b>TU</b> = Tube Packing
	<b>TR</b> = Tape Reel

**SMD Magnetic Transducer**

Part No.: **Y14041**

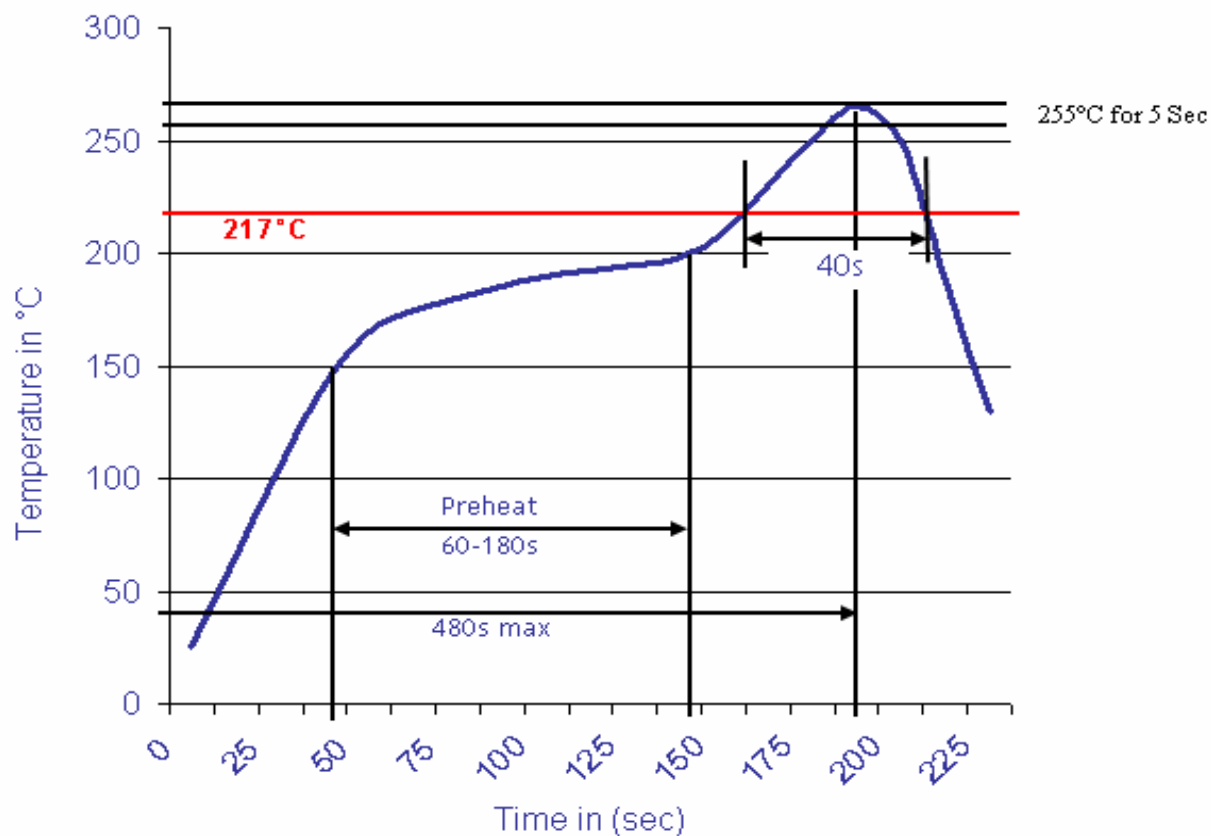
DRW:	Jason	CHKD	Wilson	MATL:	Wilson	TOLERANCE	Mason	DATE	10.06.2010
APPD:	Schumi			FINISH	Jamy		Sheet No.		3 from 4

Customer:



Soldering Profile Curve

Classification Reflow Profile (JEDEC J-STD-020C)



**SMD Magnetic Tranducer**

Part No.: **Y14041**

DRW:	Jason	CHKD	Wilson	MATL:	Wilson	TOLERANCE	Mason	DATE	10.06.2010
APPD:	Schumi			FINISH	Jamy		Sheet No.	4 from 4	Customer: