

EDCON-COMPONENTS

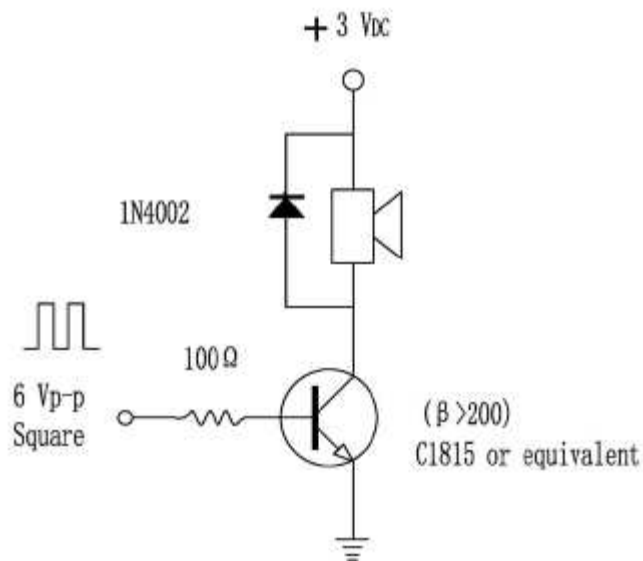


Specifications

| | |
|---|----------------|
| Min. Sound Pressure Level at 3V Square Wave / 2730Hz / 10cm | 87dB / typ. 90 |
| Rated Voltage | 3Volt |
| Operating Voltage | 2~4Volt |
| Max. Consumption at 2,7KHz/7,2Vp.p. Square Wave | 80mA / 3Vdc |
| Resonant Frequency | 2,730KHz |
| DC Resistance | 16 +/- 3Ω |
| Operating Temperature | . -40 ~ +85°C |
| Storage Temperature | . -40 ~ +85°C |
| Case Material | LCP |
| Weight: | 0,7gr. |

This Label is removed after reflow soldering

Test Circuit



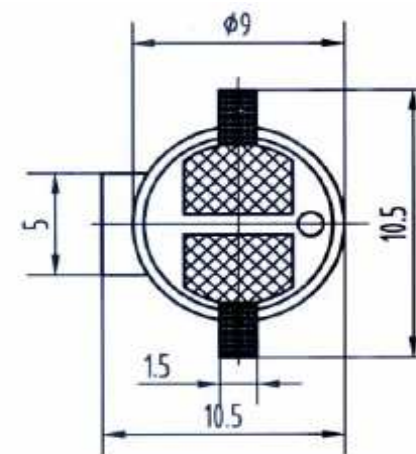
Features

- Low Frequency
- Low Voltage
- Small and slim size

Applications

- Automatic Control Equipment
- Communication Equipment
- Electronic Equipments

PCB Layout



SMD Magnetic Transducer

Part No.: **Y14039**

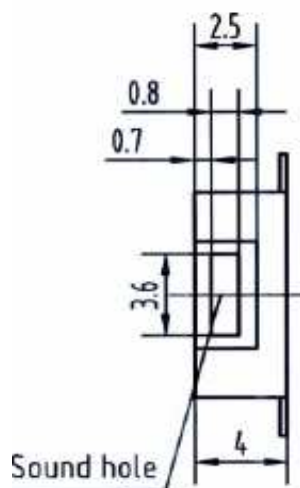
Customer:

| | | | | | | | | |
|-------|--------|--|--------|--------|-----------|-----------|------|------------|
| DRW: | | | | Wilson | TOLERANCE | Mason | DATE | 10.06.2010 |
| APPD: | Schumi | | FINISH | Jamy | | Sheet No. | | 1 from 4 |

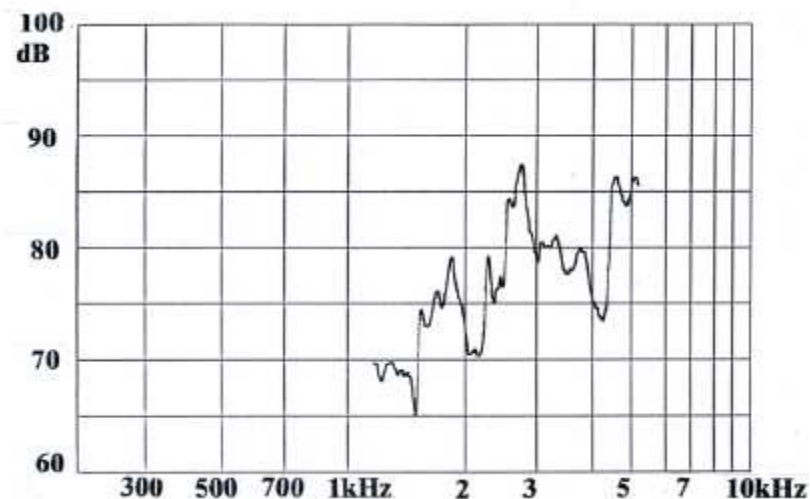
EDCON-COMPONENTS



Dimensions (mm)



Characteristics



SMD Magnetic Transducer

Part No.: **Y14039**

Customer:

| | | | | | | | | | |
|-------|--------|------|--------|--------|--------|-----------|-----------|----------|------------|
| DRW: | Jason | CHKD | Wilson | MATL: | Wilson | TOLERANCE | Mason | DATE | 10.06.2010 |
| APPD: | Schumi | | | FINISH | Jamy | | Sheet No. | 2 from 4 | |

www.edcon-components.com

email: info@edcon-components.com

EDCON-COMPONENTS



Ordering Informations

| | | | | | | | | | |
|---------------|----------------|----------|-----------|--|--|--|--|--|--|
| Serie | Model-No. | ROHS | Package | | | | | | |
| Y14039 | 9027G03 | R | TY | | | | | | |

| | |
|-----------------------------|--------------------------|
| R = ROHS Conform | TY = Tray Packing |
| N = NON ROHS Conform | TU = Tube Packing |
| | TR = Tape Reel |

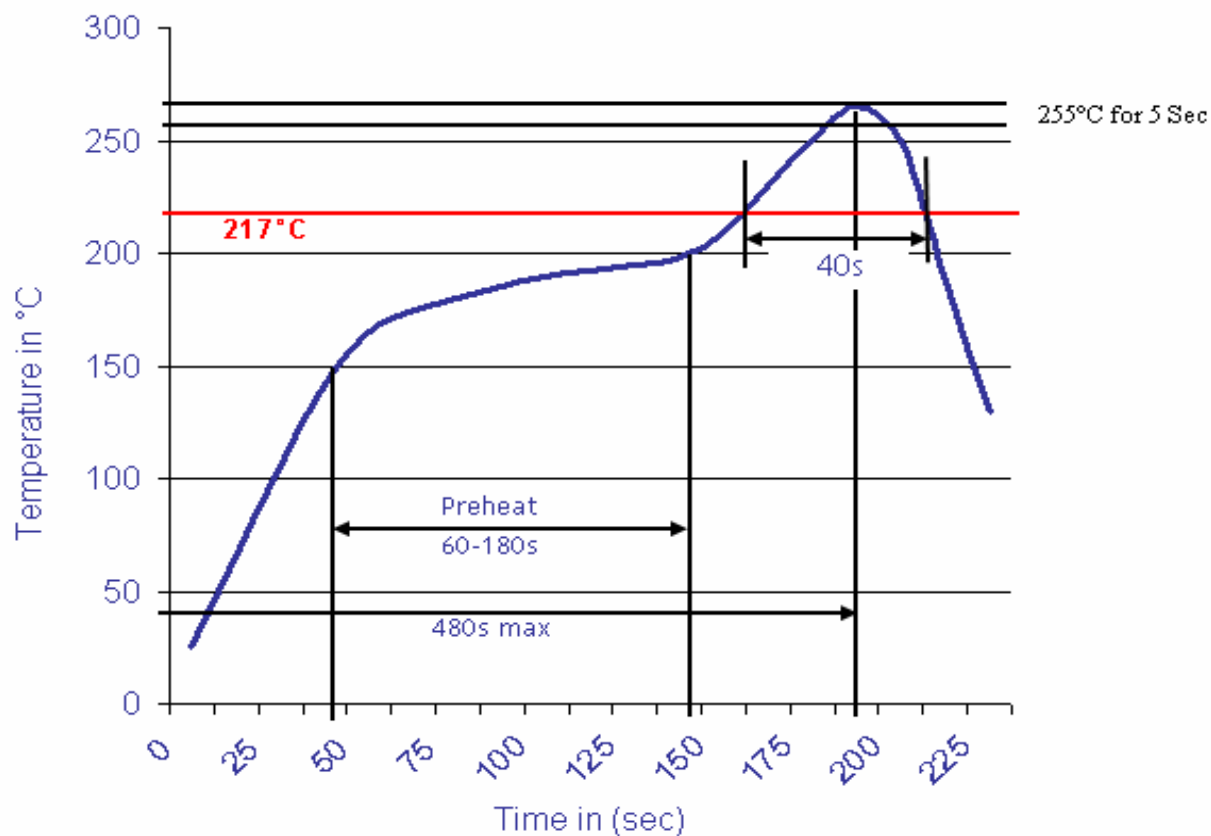
| | |
|--------------------------------|---------------|
| SMD Magnetic Transducer | |
| Part No.: | Y14039 |
| Customer: | |

| | | | | | | | | | |
|-------|--------|------|--------|--------|--------|-----------|-----------|------|------------|
| DRW: | Jason | CHKD | Wilson | MATL: | Wilson | TOLERANCE | Mason | DATE | 10.06.2010 |
| APPD: | Schumi | | | FINISH | Jamy | | Sheet No. | | 3 from 4 |



Soldering Profile Curve

Classification Reflow Profile (JEDEC J-STD-020C)



| | |
|--------------------------------|---------------|
| SMD Magnetic Transducer | |
| Part No.: | Y14039 |
| Customer: | |

| | | | | | | | | | |
|-------|--------|------|--------|--------|--------|-----------|-----------|----------|------------|
| DRW: | Jason | CHKD | Wilson | MATL: | Wilson | TOLERANCE | Mason | DATE | 10.06.2010 |
| APPD: | Schumi | | | FINISH | Jamy | | Sheet No. | 4 from 4 | |