

EDCON-COMPONENTS

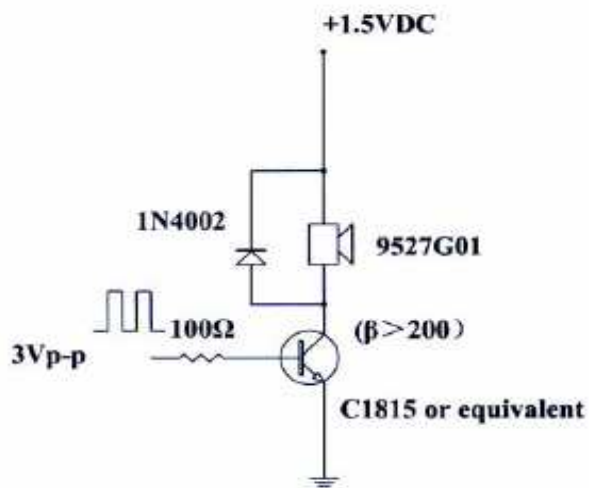


Specifications

Min. Sound Pressure Level at 1,5V Square Wave / 2730Hz / 10cm	85dB / typ. 87
Rated Voltage	1,5Volt
Operating Voltage	1~2Volt
Max. Consumption at 2,7KHz/7,2Vp.p. Square Wave	80mA / 1,5Vdc
Resonant Frequency	2,730KHz
DC Resistance	6 +/- 2Ω
Operating Temperature	. -40 ~ +85°C
Storage Temperature	. -40 ~ +85°C
Case Material	LCP
Weight:	0,7gr.

This Label is removed after reflow soldering

Test Circuit



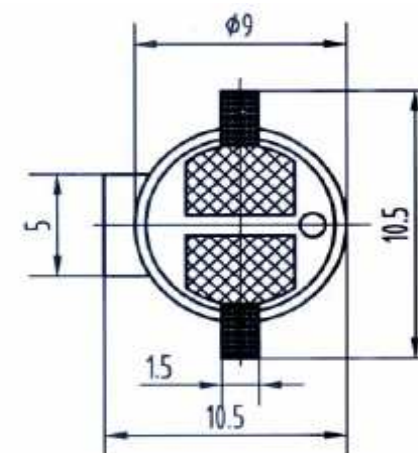
Features

Low Frequency
Low Voltage
Small and slim size

Applications

Automatic Control Equipment
Communication Equipment
Electronic Equipments

PCB Layout



SMD Magnetic Transducer

Part No.: **Y14038**

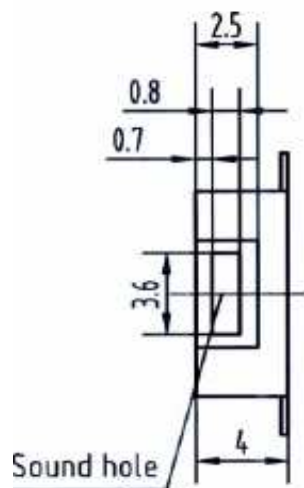
Customer:

DRW:	Jason	CHKD	Wilson	MATL:	Wilson	TOLERANCE	Mason	DATE	10.06.2010
APPD:	Schumi			FINISH	Jamy		Sheet No.		1 from 4

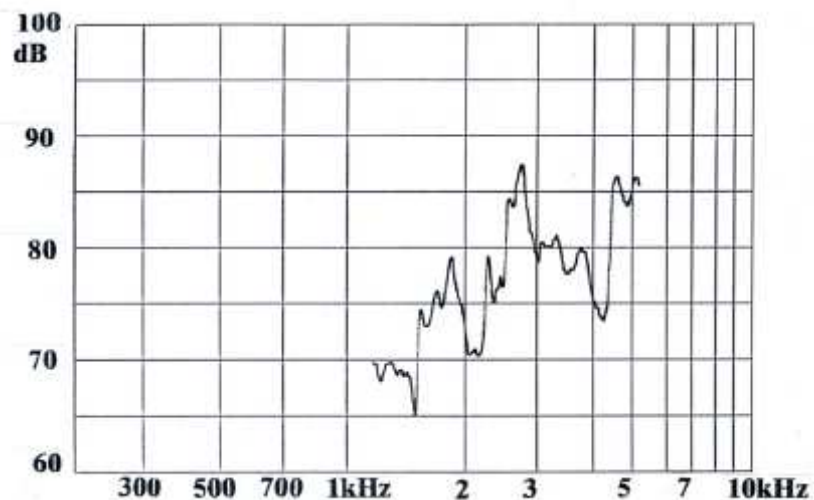
EDCON-COMPONENTS



Dimensions (mm)



Characteristics



SMD Magnetic Transducer

Part No.: **Y14038**

Customer:

DRW:	Jason	CHKD	Wilson	MATL:	Wilson	TOLERANCE	Mason	DATE	10.06.2010
APPD:	Schumi			FINISH	Jamy		Sheet No.	2 from 4	

www.edcon-components.com

email: info@edcon-components.com

EDCON-COMPONENTS



Ordering Informations

Serie	Model-No.	ROHS	Package						
Y14038	9027G01	R	TY						

R = ROHS Conform	TY = Tray Packing
N = NON ROHS Conform	TU = Tube Packing
	TR = Tape Reel

SMD Magnetic Transducer

Part No.: **Y14038**

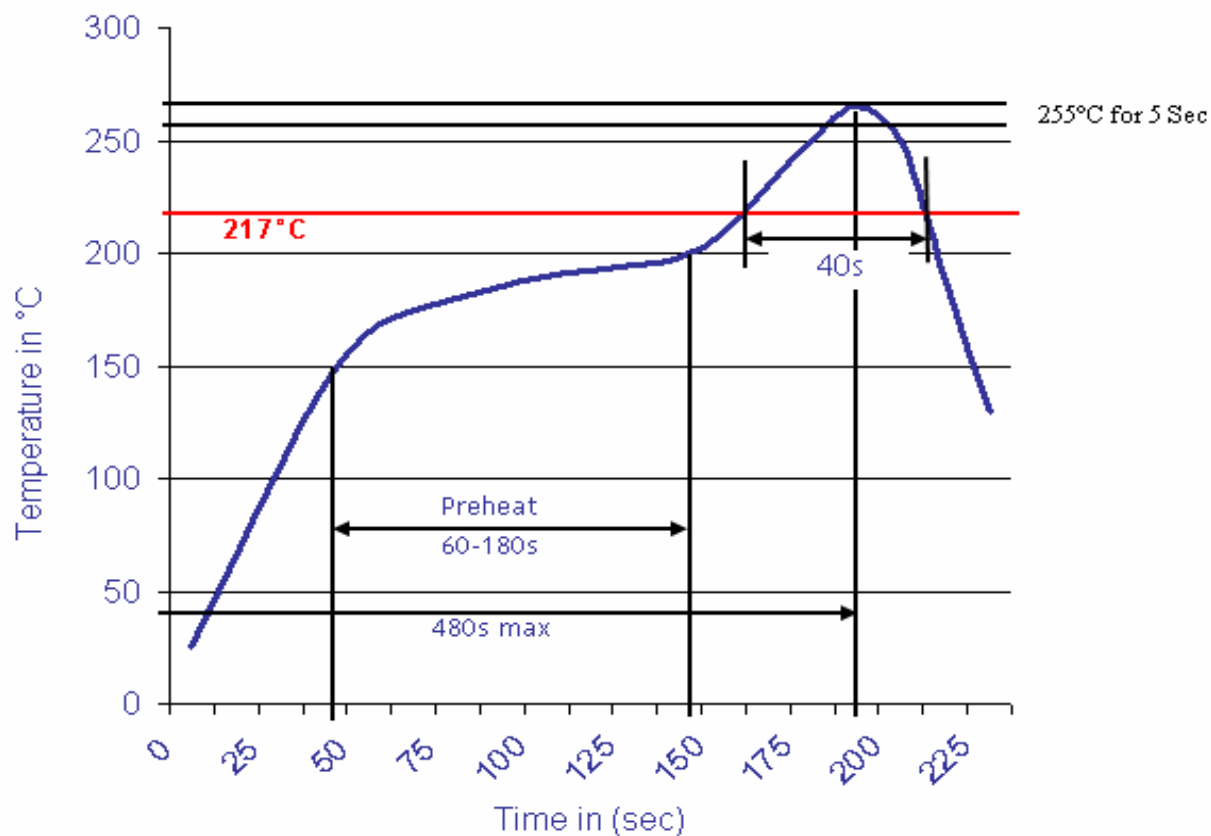
DRW:	Jason	CHKD	Wilson	MATL:	Wilson	TOLERANCE	Mason	DATE	10.06.2010
APPD:	Schumi			FINISH	Jamy		Sheet No.		3 from 4

Customer:



Soldering Profile Curve

Classification Reflow Profile (JEDEC J-STD-020C)



SMD Magnetic Transducer

Part No.: **Y14038**

DRW:	Jason	CHKD	Wilson	MATL:	Wilson	TOLERANCE	Mason	DATE	10.06.2010	Customer:
APPD:	Schumi			FINISH	Jamy		Sheet No.	4 from 4		