

EDCON-COMPONENTS

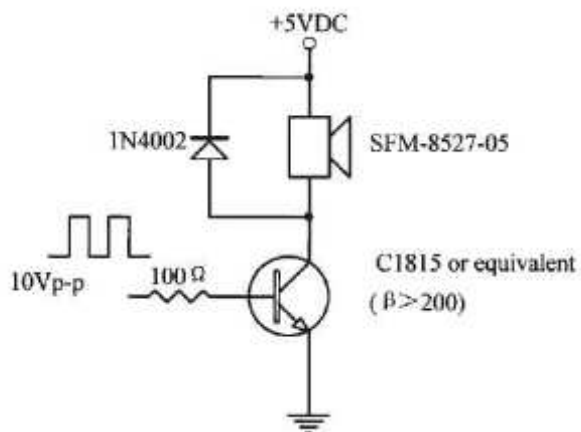


Specifications

Min. Sound Pressure Level at 5V Square Wave / 2730Hz / 10cm	85dB
Rated Voltage	5Volt
Operating Voltage	4~6Volt
Max. Consumption at 2,7KHz/7,2Vp.p. Square Wave	100mA / 5Vdc
Resonant Frequency	2,730KHz
DC Resistance	30 +/- 5Ω
Operating Temperature	. -30 ~ +85°C
Storage Temperature	. -30 ~ +85°C
Case Material	LCP
Weight:	1gr.

This Label is removed after reflow soldering

Test Circuit



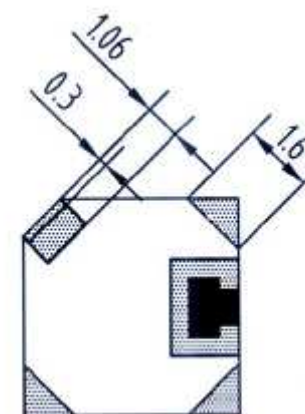
Features

Low Frequency
Low Voltage
Small and slim size

Applications

Automatic Control Equipment
Communication Equipment
Electronic Equipments

PCB Layout



SMD Magnetic Transducer

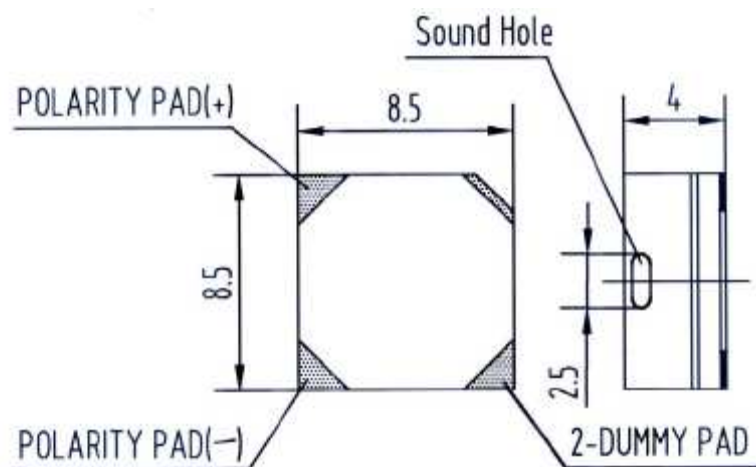
Part No.: **Y14037**

DRW:	Jason	CHKD	Wilson	MATL:	Wilson	TOLERANCE	Mason	DATE	10.06.2010	Customer:
APPD:	Schumi			FINISH	Jamy		Sheet No.	1 from 4		

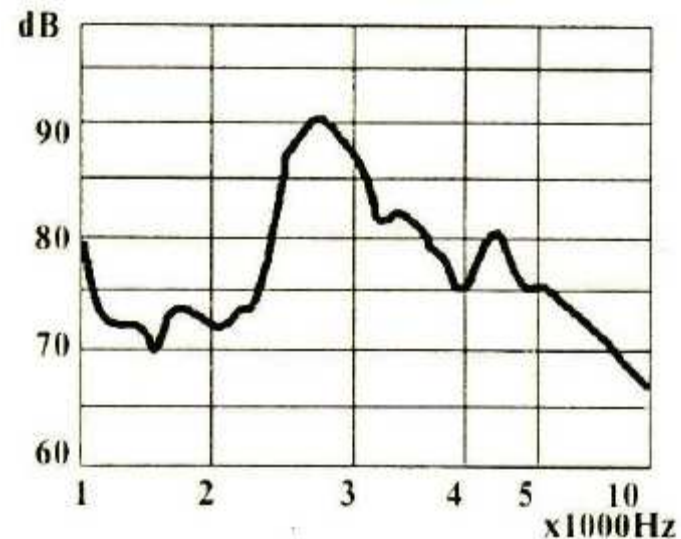
EDCON-COMPONENTS



Dimensions (mm)



Characteristics



SMD Magnetic Transducer

Part No.: **Y14037**

Customer:

DRW:	Jason	CHKD	Wilson	MATL:	Wilson	TOLERANCE	Mason	DATE	10.06.2010
APPD:	Schumi			FINISH	Jamy		Sheet No.	2 from 4	

EDCON-COMPONENTS



Ordering Informations

Serie	Model-No.	ROHS	Package						
Y14037	852705	R	TY						

R = ROHS Conform	TY = Tray Packing
N = NON ROHS Conform	TU = Tube Packing
	TR = Tape Reel

SMD Magnetic Transducer

Part No.: **Y14037**

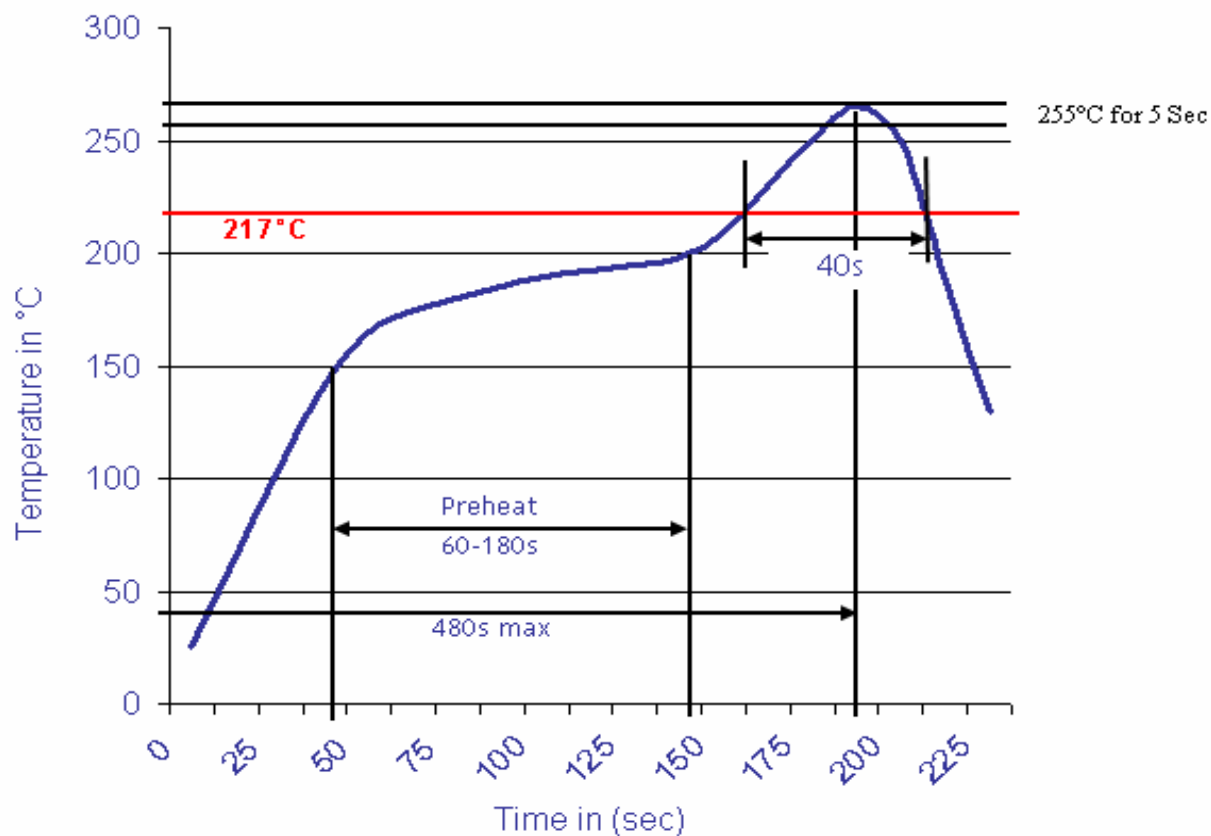
DRW:	Jason	CHKD	Wilson	MATL:	Wilson	TOLERANCE	Mason	DATE	10.06.2010
APPD:	Schumi			FINISH	Jamy		Sheet No.		3 from 4

Customer:



Soldering Profile Curve

Classification Reflow Profile (JEDEC J-STD-020C)



SMD Magnetic Tranducer	
Part No.:	Y14037
Customer:	

DRW:	Jason	CHKD	Wilson	MATL:	Wilson	TOLERANCE	Mason	DATE	10.06.2010
APPD:	Schumi			FINISH	Jamy		Sheet No.	4 from 4	