

EDCON-COMPONENTS

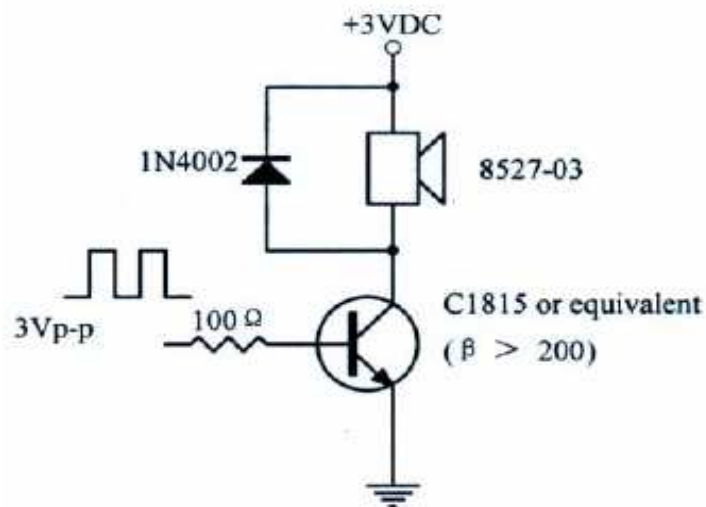


Specifications

Min. Sound Pressure Level at 3V Square Wave / 2730Hz / 10cm	85dB
Rated Voltage	3Volt
Operating Voltage	2~5Volt
Max. Consumption at 2,7KHz/7,2Vp.p. Square Wave	85mA / 3Vdc
Resonant Frequency	2,730KHz
DC Resistance	24 +/- 2Ω
Operating Temperature	. -30 ~ +85°C
Storage Temperature	. -40 ~ +85°C
Case Material	PPS
Weight:	1gr.

This Label is removed after reflow soldering

Test Circuit



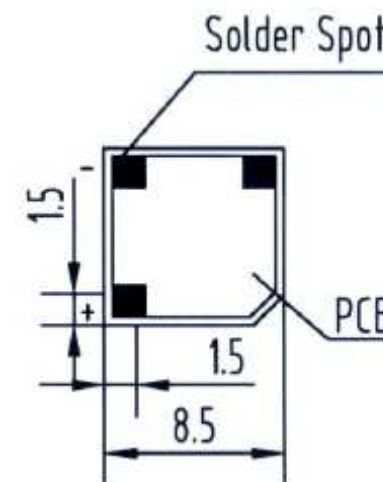
Features

- Low Frequency
- Low Voltage
- Small and slim size
- Designed for reflow process

Applications

- Automatic Control Equipment
- Communication Equipment
- Electronic Equipments

PCB Layout



SMD Magnetic Transducer

Part No.: **Y14035**

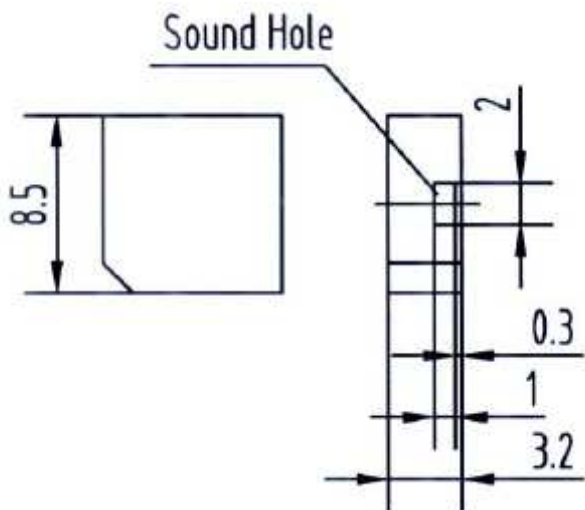
Customer:

DRW:	Jason	CHKD	Wilson	MATL:	Wilson	TOLERANCE	Mason	DATE	10.06.2010
APPD:	Schumi			FINISH	Jamy		Sheet No.	1 from 4	

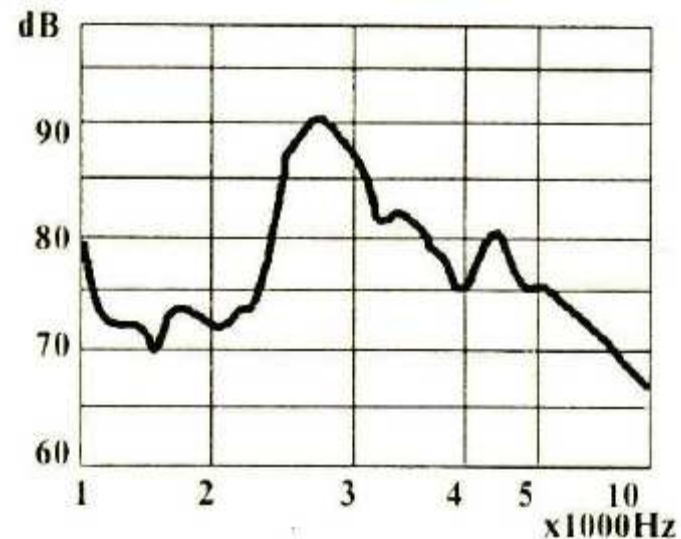
EDCON-COMPONENTS



Dimensions (mm)



Characteristics



SMD Magnetic Transducer

Part No.: **Y14035**

Customer:

DRW:	Jason	CHKD	Wilson	MATL:	Wilson	TOLERANCE	Mason	DATE	10.06.2010
APPD:	Schumi			FINISH	Jamy		Sheet No.	2 from 4	

EDCON-COMPONENTS



Ordering Informations

Serie	Model-No.	ROHS	Package						
Y14035	852703	R	TY						

R = ROHS Conform	TY = Tray Packing
N = NON ROHS Conform	TU = Tube Packing
	TR = Tape Reel

SMD Magnetic Transducer

Part No.: **Y14035**

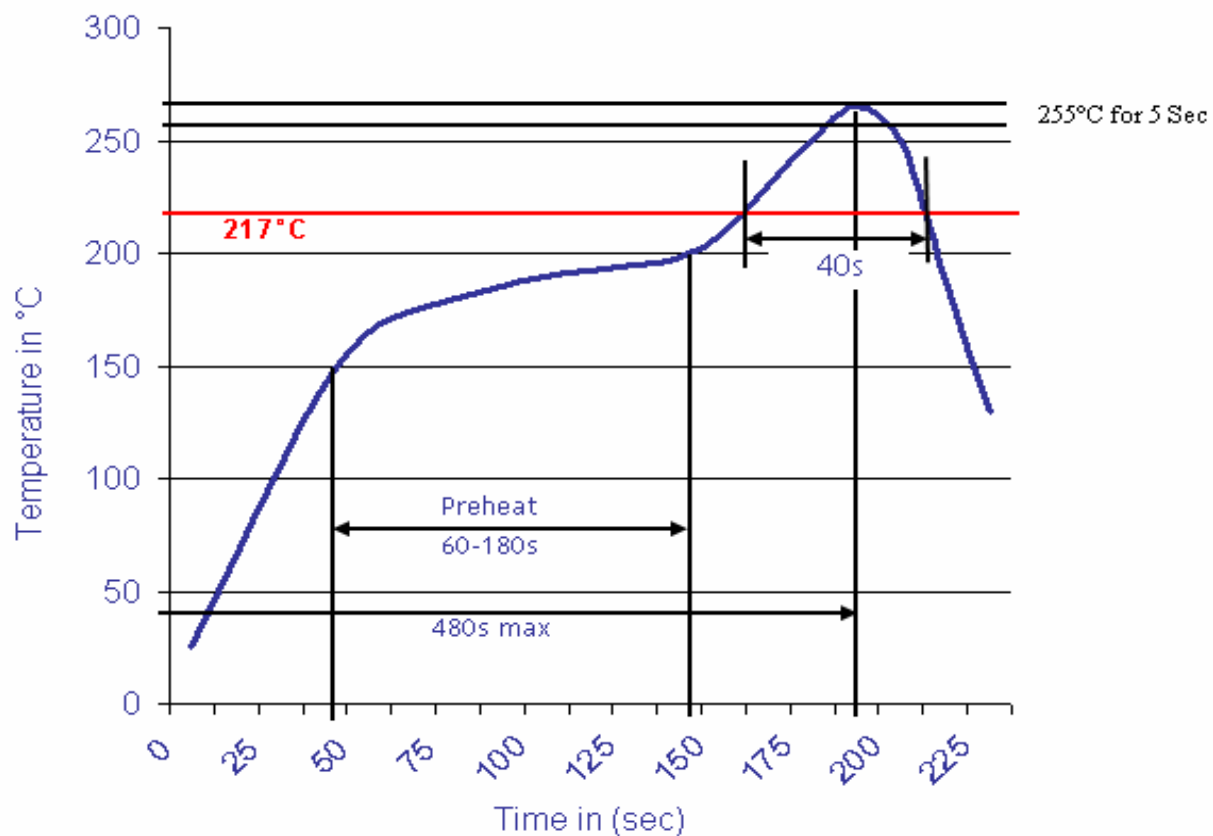
Customer:

DRW:	Jason	CHKD	Wilson	MATL:	Wilson	TOLERANCE	Mason	DATE	10.06.2010
APPD:	Schumi			FINISH	Jamy		Sheet No.		3 from 4



Soldering Profile Curve

Classification Reflow Profile (JEDEC J-STD-020C)



SMD Magnetic Transducer

Part No.: **Y14035**

DRW:	Jason	CHKD	Wilson	MATL:	Wilson	TOLERANCE	Mason	DATE	10.06.2010
APPD:	Schumi			FINISH	Jamy		Sheet No.	4 from 4	Customer: