

EDCON-COMPONENTS

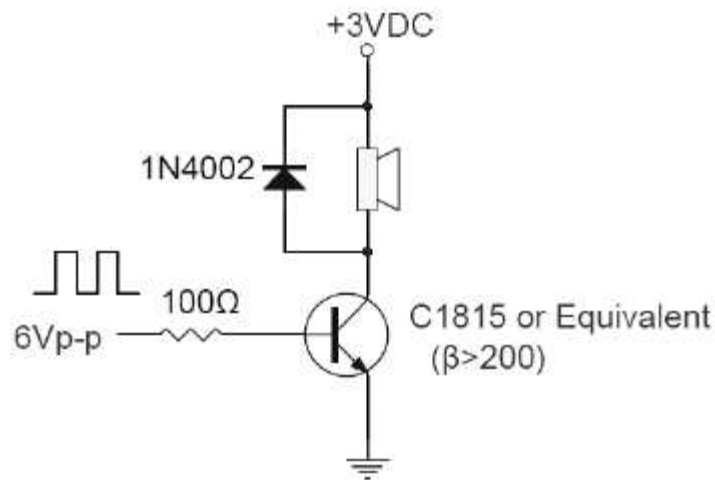


Specifications

Min. Sound Pressure Level at 3V / 2730Hz / 10cm	70dB
Rated Voltage	3Volt
Operating Voltage	2~4Volt
Max. Consumption at 2,7KHz/7,2Vp.p. Square Wave	95mA / 3Vdc
Resonant Frequency	2,730KHz
DC Resistance	22 +/-5Ω
Operating Temperature	. -40 ~ +85°C
Storage Temperature	. -40 ~ +85°C
Case Material / Color	PPS / Black
Weight:	1,2gr.

This Label is removed after reflow soldering

Test Circuit



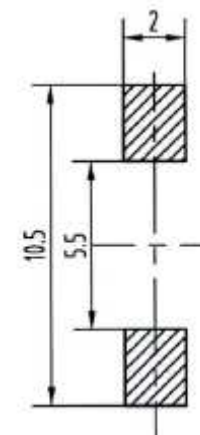
Features

- Low Frequency
- Low Voltage
- Small and slim size

Applications

- Automatic Control Equipment
- Communication Equipment
- Electronic Equipments

PCB Layout



SMD Magnetic Transducer

Part No.: **Y14034**

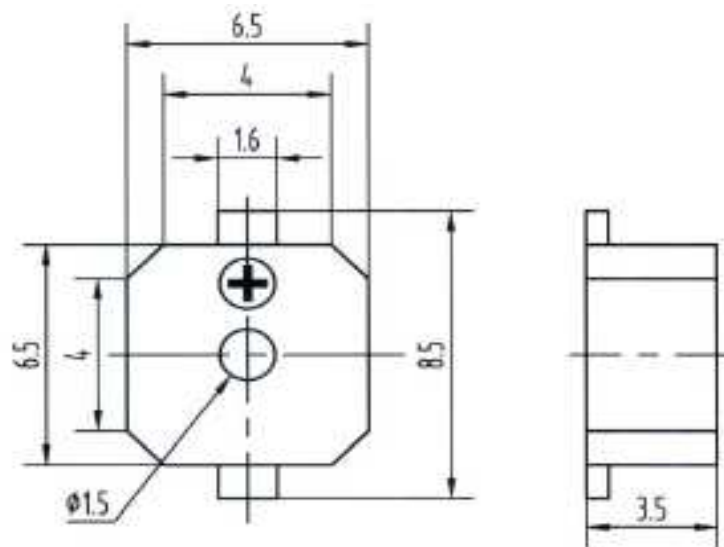
Customer:

DRW:	Jason	CHKD	Wilson	MATL:	Wilson	TOLERANCE	Mason	DATE	10.06.2010
APPD:	Schumi			FINISH	Jamy		Sheet No.	1 from 4	

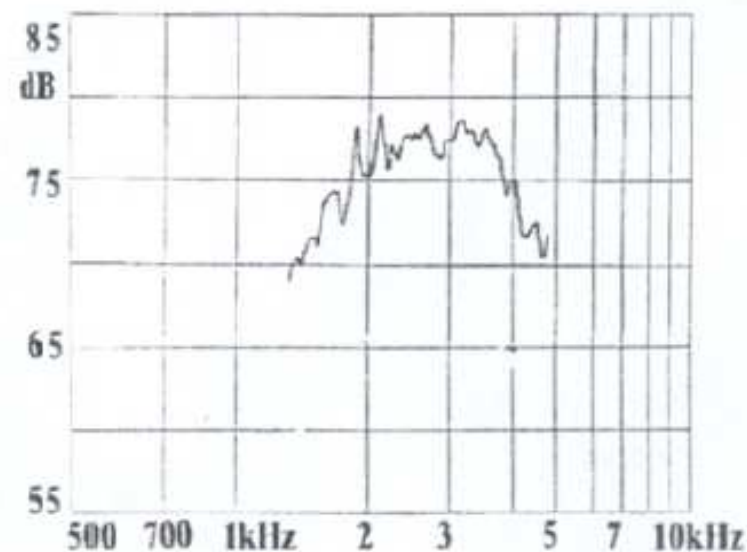
EDCON-COMPONENTS



Dimensions (mm)



Characteristics



SMD Magnetic Transducer

Part No.: **Y14034**

Customer:

DRW:	Jason	CHKD	Wilson	MATL:	Wilson	TOLERANCE	Mason	DATE	10.06.2010
APPD:	Schumi			FINISH	Jamy		Sheet No.	2 from 4	

www.edcon-components.com

email: info@edcon-components.com

EDCON-COMPONENTS



Ordering Informations

Serie	Model-No.	ROHS	Package						
Y14034	652703	R	TY						

R = ROHS Conform	TY = Tray Packing
N = NON ROHS Conform	TU = Tube Packing
	TR = Tape Reel

SMD Magnetic Tranducer

Part No.: **Y14034**

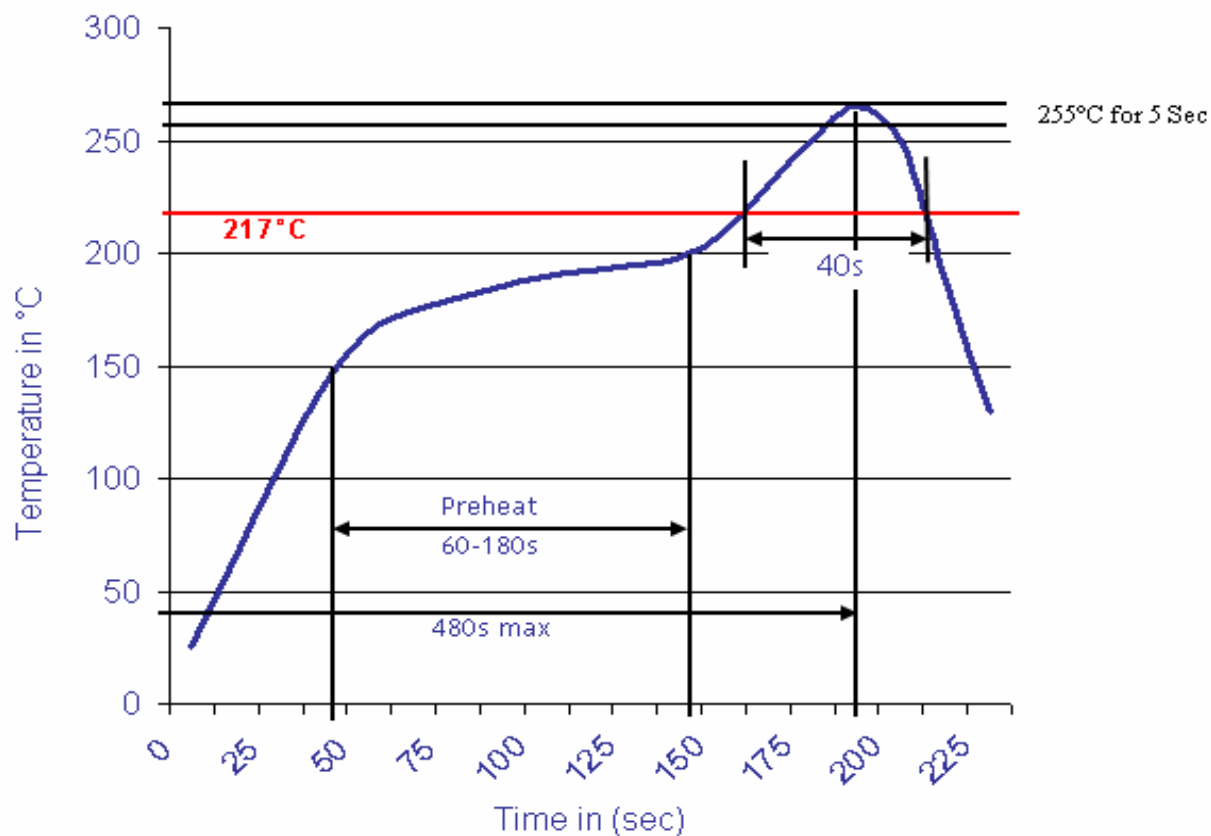
DRW:	Jason	CHKD	Wilson	MATL:	Wilson	TOLERANCE	Mason	DATE	10.06.2010
APPD:	Schumi			FINISH	Jamy		Sheet No.		3 from 4

Customer:



Soldering Profile Curve

Classification Reflow Profile (JEDEC J-STD-020C)



SMD Magnetic Transducer

Part No.: **Y14034**

DRW:	Jason	CHKD	Wilson	MATL:	Wilson	TOLERANCE	Mason	DATE	10.06.2010
APPD:	Schumi			FINISH	Jamy		Sheet No.	4 from 4	Customer: