

# EDCON-COMPONENTS



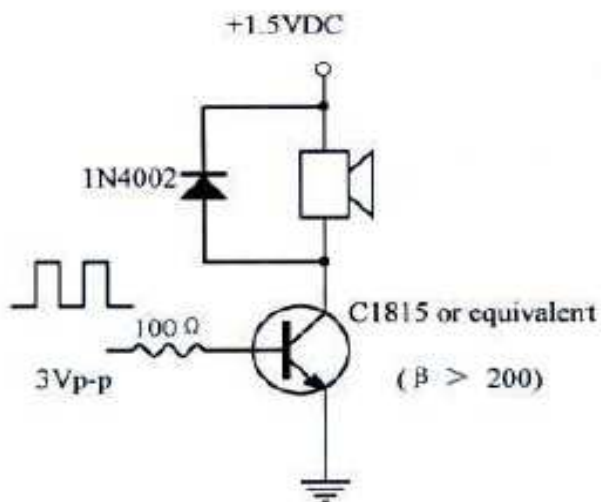
## Specifications

Min. Sound Pressure Level at 1,5V / 2731Hz / 10cm	70dB
Rated Voltage	1,5Volt
Operating Voltage	1~2Volt
Max. Consumption at 2,7KHz/7,2Vp.p. Square Wave	70mA/1,5Vdc
Resonant Frequency	2,731KHz
DC Resistance	6,5 +/-1Ω
Operating Temperature	. -40 ~ +85°C
Storage Temperature	. -40 ~ +85°C

Weight: 1gr.

This Label is removed after reflow soldering

## Test Circuit



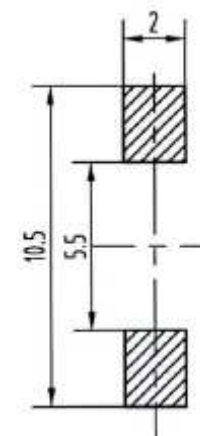
## Features

Low Frequency  
Low Voltage  
Small and slim size

## Applications

Automatic Control Equipment  
Communication Equipment  
Electronic Equipments

## PCB Layout



**SMD Magnetic Transducer**

Part No.: **Y14033**

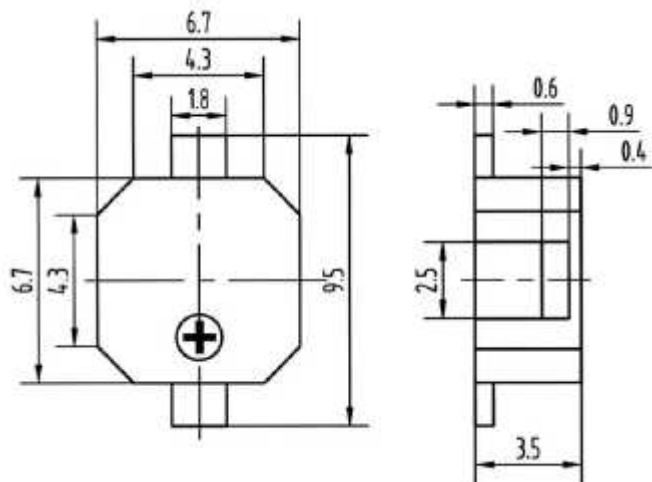
Customer:

DRW:	Jason	CHKD	Wilson	MATL:	Wilson	TOLERANCE	Mason	DATE	10.06.2010
APPD:	Schumi			FINISH	Jamy		Sheet No.		1 from 4

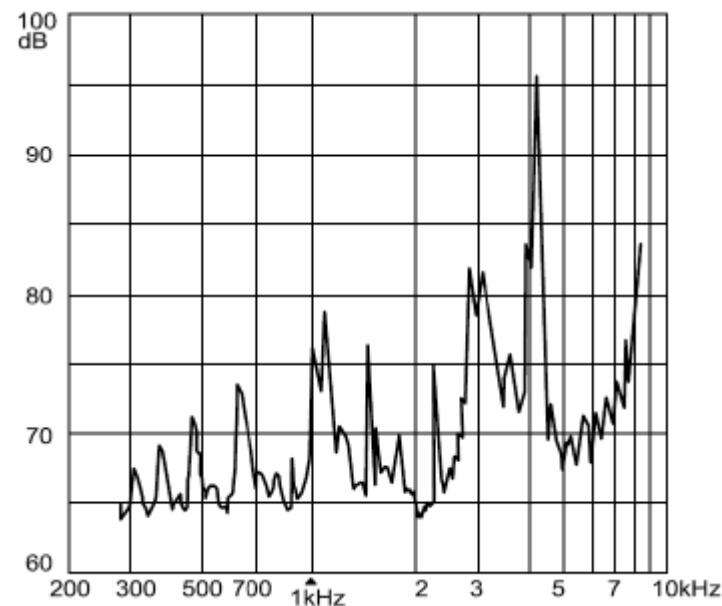
# EDCON-COMPONENTS



## Dimensions (mm)



## Characteristics



**SMD Magnetic Transducer**

Part No.: **Y14033**

Customer:

DRW:	Jason	CHKD	Wilson	MATL:	Wilson	TOLERANCE	Mason	DATE	10.06.2010
APPD:	Schumi			FINISH	Jamy		Sheet No.	2 from 4	

[www.edcon-components.com](http://www.edcon-components.com)

email: [info@edcon-components.com](mailto:info@edcon-components.com)

# EDCON-COMPONENTS



## Ordering Informations

Serie	Model-No.	ROHS	Package						
<b>Y14033</b>	<b>652701A</b>	<b>R</b>	<b>TY</b>						

<b>R</b> = ROHS Conform	<b>TY</b> = Tray Packing
<b>N</b> = NON ROHS Conform	<b>TU</b> = Tube Packing
	<b>TR</b> = Tape Reel

**SMD Magnetic Tranducer**

Part No.: **Y14033**

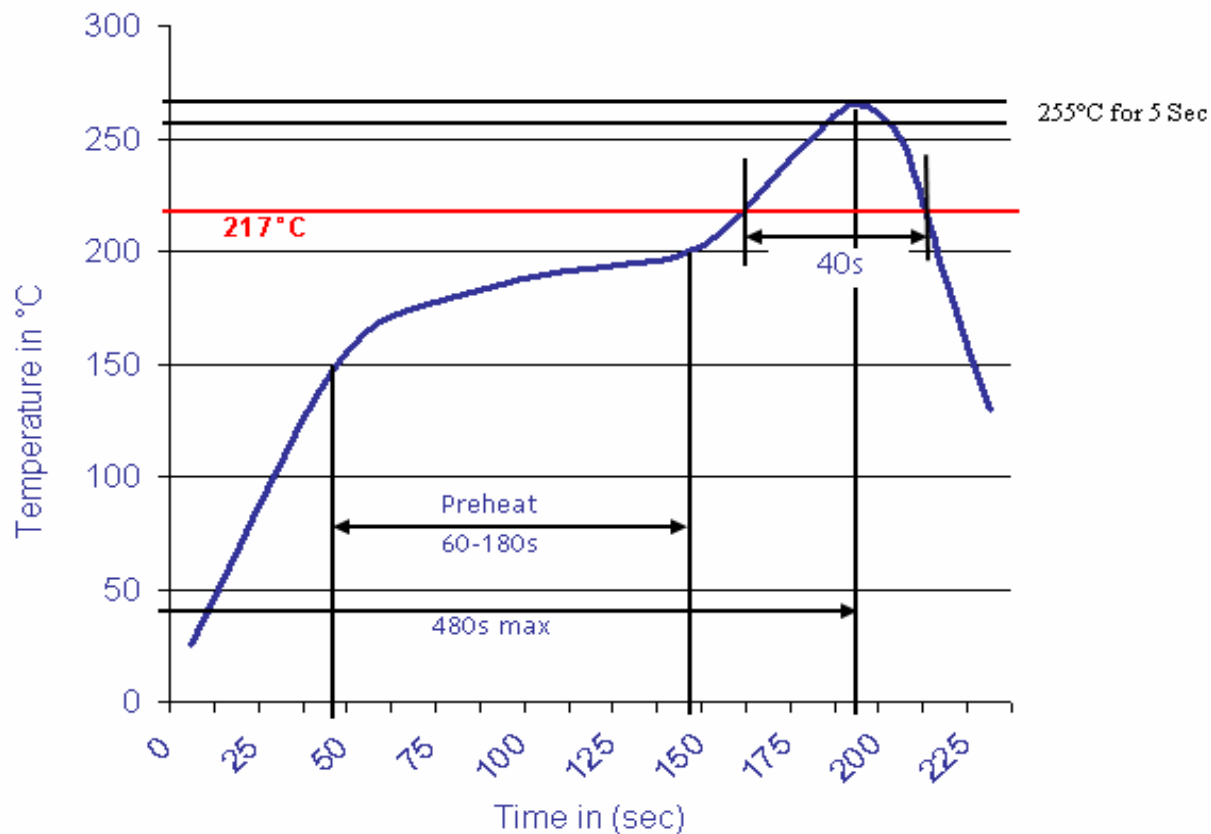
DRW:	Jason	CHKD	Wilson	MATL:	Wilson	TOLERANCE	Mason	DATE	10.06.2010
APPD:	Schumi			FINISH	Jamy		Sheet No.		3 from 4

Customer:



Soldering Profile Curve

Classification Reflow Profile (JEDEC J-STD-020C)



<b>SMD Magnetic Tranducer</b>
Part No.: <b>Y14033</b>
Customer:

DRW:	Jason	CHKD	Wilson	MATL:	Wilson	TOLERANCE	Mason	DATE	10.06.2010
APPD:	Schumi			FINISH	Jamy		Sheet No.	4 from 4	