

EDCON-COMPONENTS



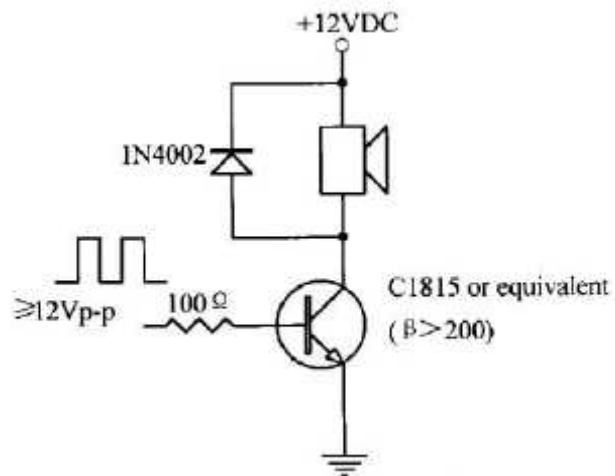
Specifications

Min. Sound Pressure Level at 12V /2000Hz /10cm	85dB
Rated Voltage	12Volt
Operating Voltage	8~16Volt
Max. Consumption at 2,7KHz/7,2Vp.p. Square Wave	40mA/12Vdc
Resonant Frequency	2,0KHz
DC Resistance	140 +/-14Ω
Operating Temperature	. -20 ~ +70°C
Storage Temperature	. -20 ~ +80°C

Weight: 2,5gr.

This Label is removed after reflow soldering

Test Circuit



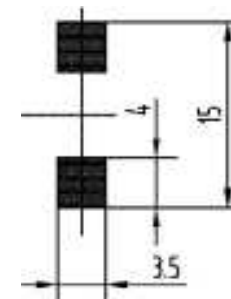
Features

- Low Frequency
- Can Endure Reflow Solder Process
- Small and slim size
- Small Size item

Applications

- Automatic Control Equipment
- Communication Equipment
- Electronic Equipments

PCB Layout



SMD Magnetic Transducer

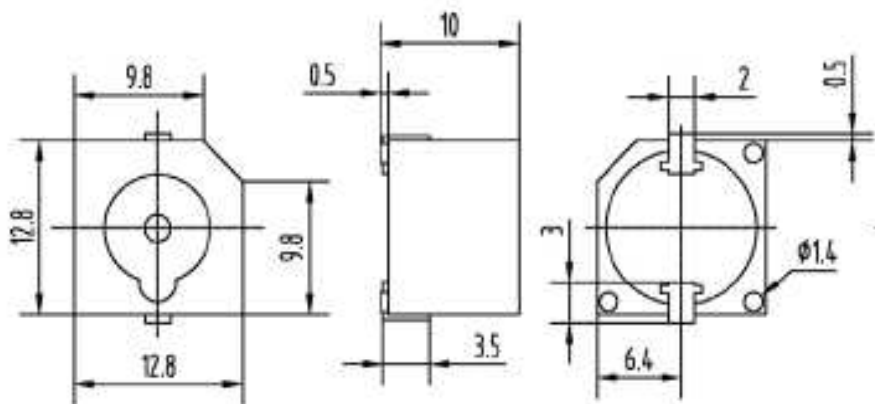
Part No.: **Y14030**

DRW:	Jason	CHKD	Wilson	MATL:	Wilson	TOLERANCE	Mason	DATE	10.06.2010	Customer:
APPD:	Schumi			FINISH	Jamy		Sheet No.	1 from 4		

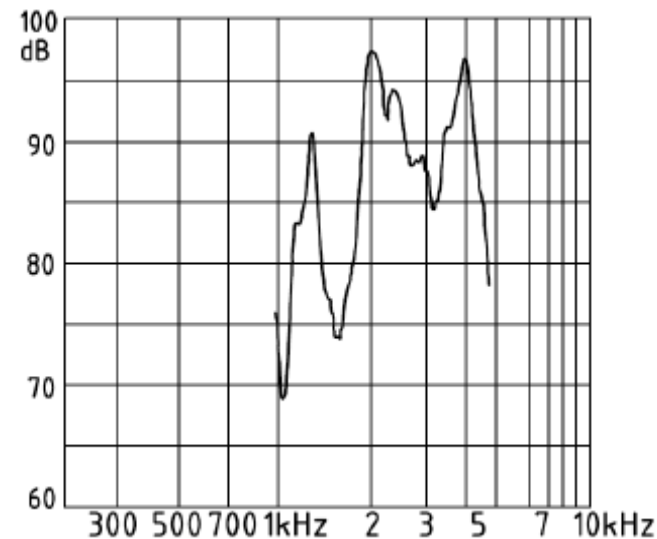
EDCON-COMPONENTS



Dimensions (mm)



Characteristics



SMD Magnetic Transducer

Part No.: **Y14030**

DRW:	Jason	CHKD	Wilson	MATL:	Wilson	TOLERANCE	Mason	DATE	10.06.2010
APPD:	Schumi			FINISH	Jamy		Sheet No.	2 from 4	

Customer:

EDCON-COMPONENTS



Ordering Informations

Serie	Model-No.	ROHS	Package						
Y14030	132012	R	TY						

R = ROHS Conform	TY = Tray Packing
N = NON ROHS Conform	TU = Tube Packing
	TR = Tape Reel

SMD Magnetic Transducer

Part No.: **Y14030**

DRW:	Jason	CHKD	Wilson	MATL:	Wilson	TOLERANCE	Mason	DATE	10.06.2010
APPD:	Schumi			FINISH	Jamy		Sheet No.	3 from 4	Customer:

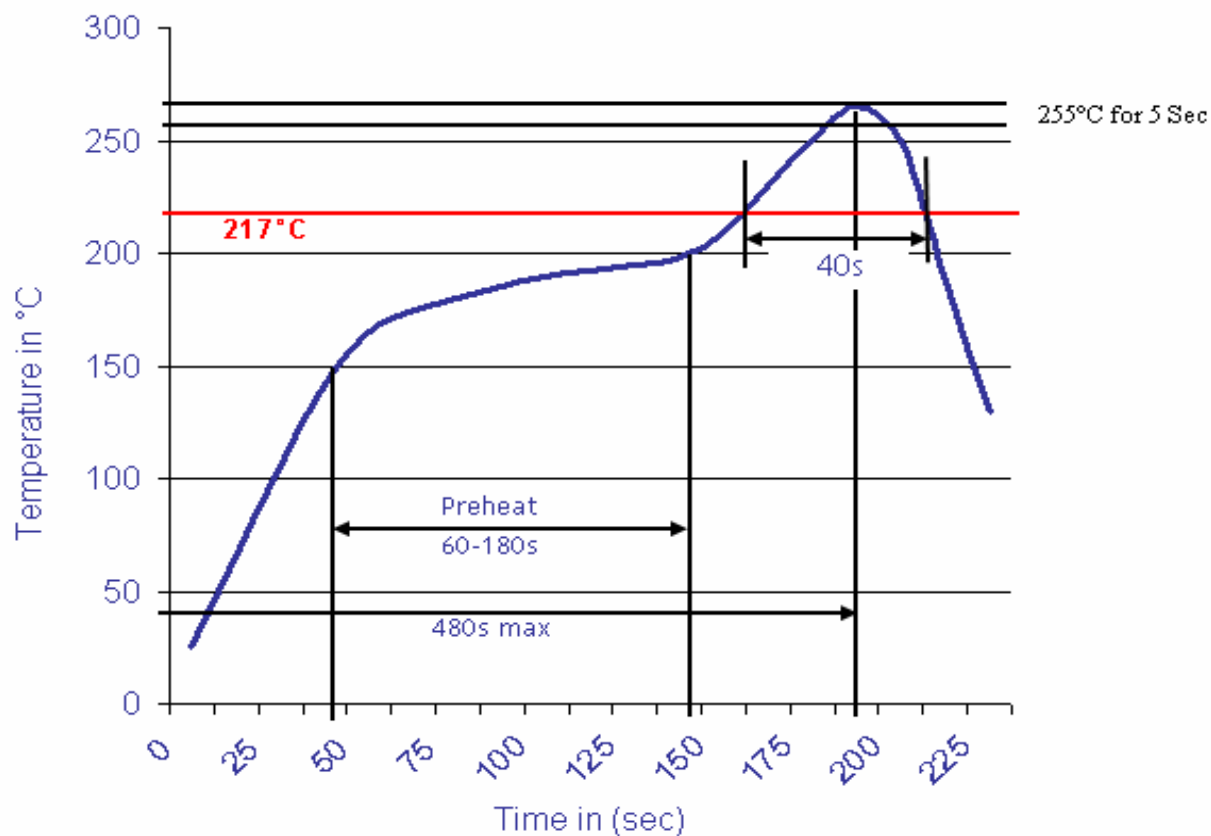
www.edcon-components.com

email: info@edcon-components.com



Soldering Profile Curve

Classification Reflow Profile (JEDEC J-STD-020C)



SMD Magnetic Transducer

Part No.: **Y14030**

DRW:	Jason	CHKD	Wilson	MATL:	Wilson	TOLERANCE	Mason	DATE	10.06.2010
APPD:	Schumi			FINISH	Jamy		Sheet No.	4 from 4	Customer: