

EDCON-COMPONENTS



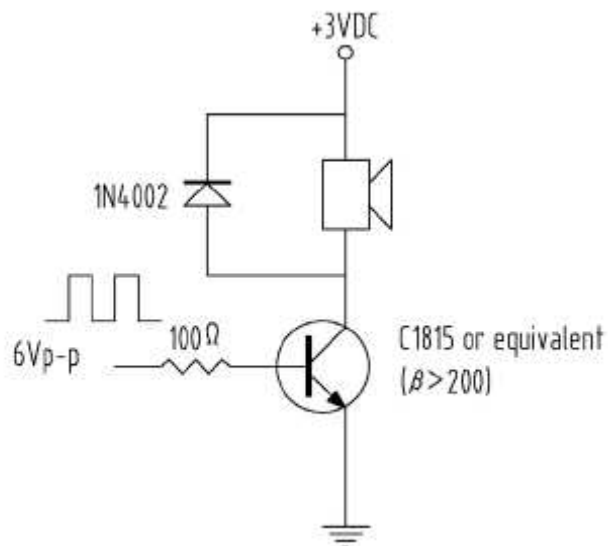
Specifications

Min. Sound Pressure Level at 5V /10cm	87dB
Rated Voltage	3Volt
Operating Voltage	2~5Volt
Max. Consumption at 2,7KHz/7,2Vp.p. Square Wave	70mA/3Vdc
Resonant Frequency	2,40KHz
DC Resistance	16 +/-4Ω
Operating Temperature	. -40 ~ +85°C
Storage Temperature	. -40 ~ +85°C

Weight: 2,0gr.

This Label is removed after reflow soldering

Test Circuit



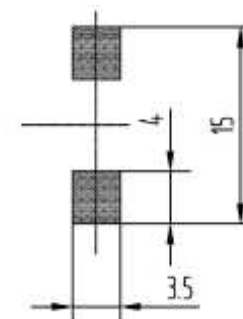
Features

- Low Frequency
- Small and slim size
- Can Endure Reflow Solder Process

Applications

- Automatic Control Equipment
- Communications Equipment
- Electronic Instruments

PCB Layout



SMD Magnetic Transducer

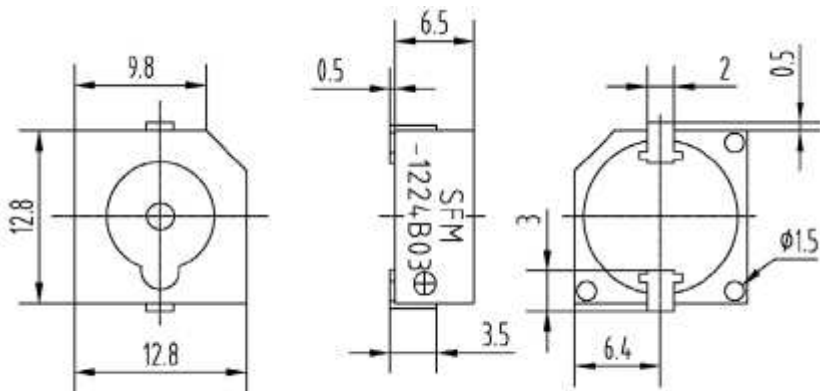
Part No.: **Y14027**

DRW:	Jason	CHKD	Wilson	MATL:	Wilson	TOLERANCE	Mason	DATE	10.06.2010	Customer:
APPD:	Schumi			FINISH	Jamy		Sheet No.	1 from 4		

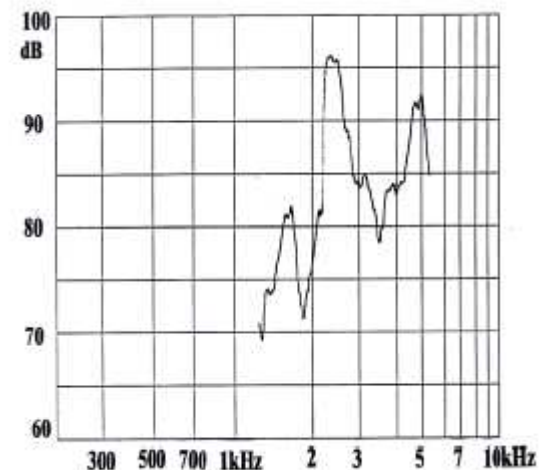
EDCON-COMPONENTS



Dimensions (mm)



Characteristics



SMD Magnetic Transducer

Part No.: **Y14027**

DRW:	Jason	CHKD	Wilson	MATL:	Wilson	TOLERANCE	Mason	DATE	10.06.2010
APPD:	Schumi			FINISH	Jamy		Sheet No.	2 from 4	

Customer:

www.edcon-components.com

email: info@edcon-components.com

EDCON-COMPONENTS



Ordering Informations

Serie	Model-No.	ROHS	Package						
Y14027	1224B03	R	TR						

R = ROHS Conform	TR = Tape Reel
N = NON ROHS Conform	TU = Tube Packing

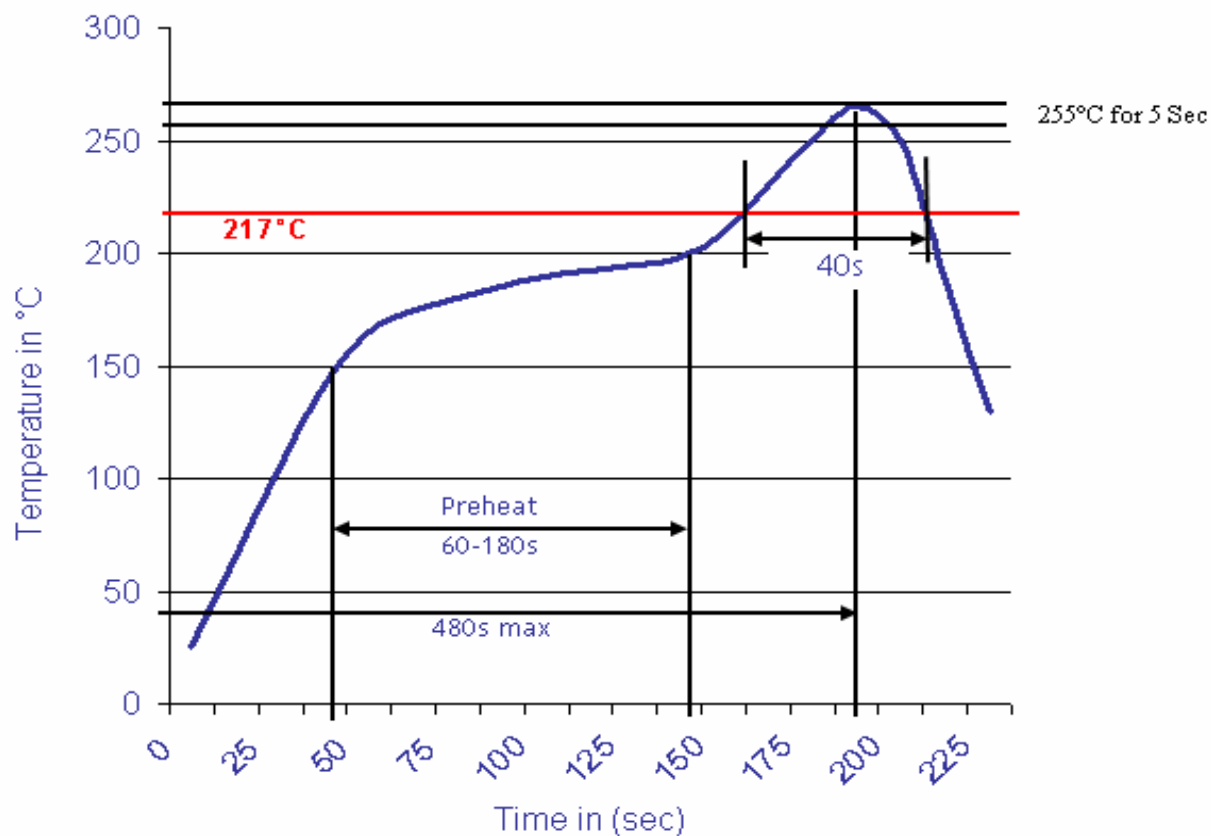
SMD Magnetic Transducer	
Part No.:	Y14027
Customer:	

DRW:	Jason	CHKD	Wilson	MATL:	Wilson	TOLERANCE	Mason	DATE	10.06.2010
APPD:	Schumi			FINISH	Jamy		Sheet No.		3 from 4



Soldering Profile Curve

Classification Reflow Profile (JEDEC J-STD-020C)



SMD Magnetic Transducer	
Part No.:	Y14027
Customer:	

DRW:	Jason	CHKD	Wilson	MATL:	Wilson	TOLERANCE	Mason	DATE	10.06.2010
APPD:	Schumi			FINISH	Jamy		Sheet No.	4 from 4	