

EDCON-COMPONENTS

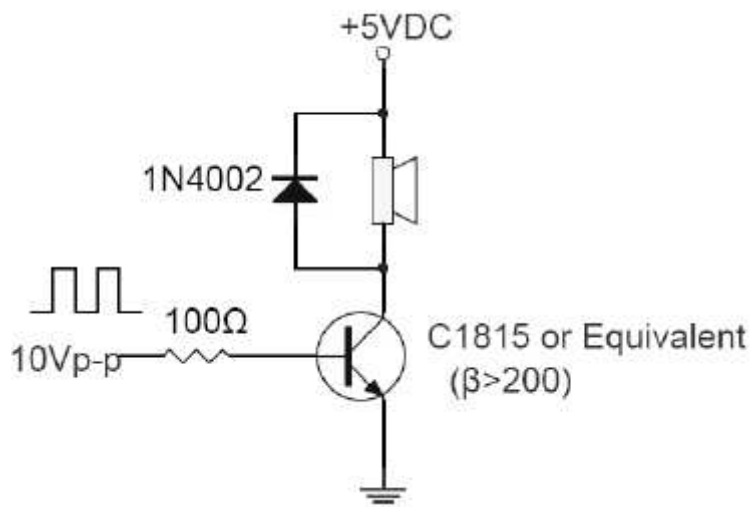


Specifications

Min. Sound Pressure Level at 2,73KHz / 5V Square Wave /10cm	90dB (typ95)
Rated Voltage	5Volt
Operating Voltage	3~8Volt
Max. Consumption at 2,7KHz/7,2Vp.p. Square Wave	100mA/5Vdc
Resonant Frequency	2,73KHz
DC Resistance	25 +/-7Ω
Operating Temperature	. -30 ~ +70°C
Storage Temperature	. -40 ~ +85°C
Case Material / Color	PPS / Black
Weight:	0,5gr.

This Label is removed after reflow soldering

Test Circuit



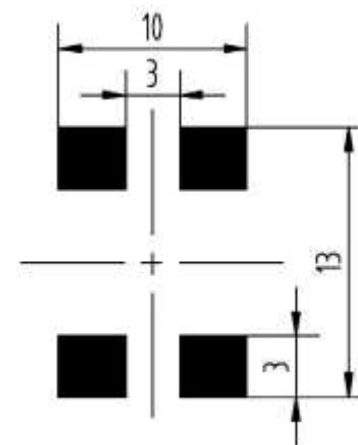
Features

Super Miniature
Super Thin
Low Current

Applications

PDA (Personal Digital Sssiitant)
Miniature Electronic Devices

PCB Layout



SMD Magnetic Tranducer

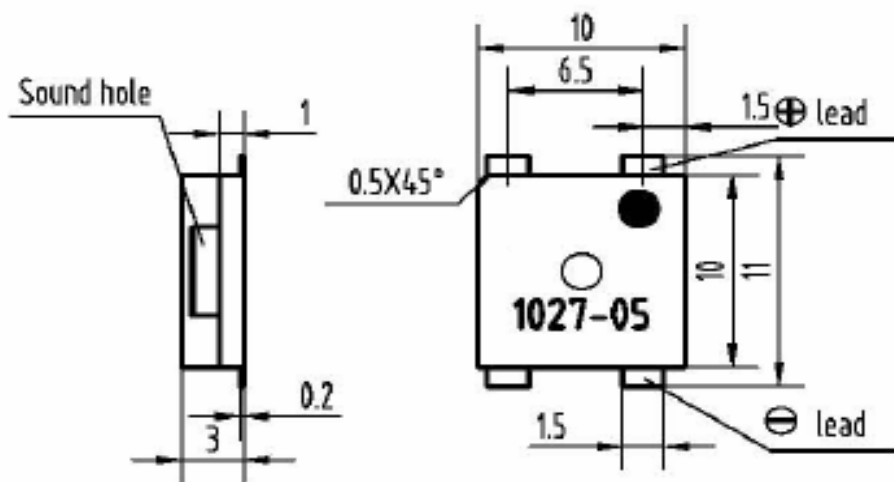
Part No.: **Y14025**

DRW:	Jason	CHKD	Wilson	MATL:	Wilson	TOLERANCE	Mason	DATE	10.06.2010	Customer:
APPD:	Schumi			FINISH	Jamy		Sheet No.	1 from 4		

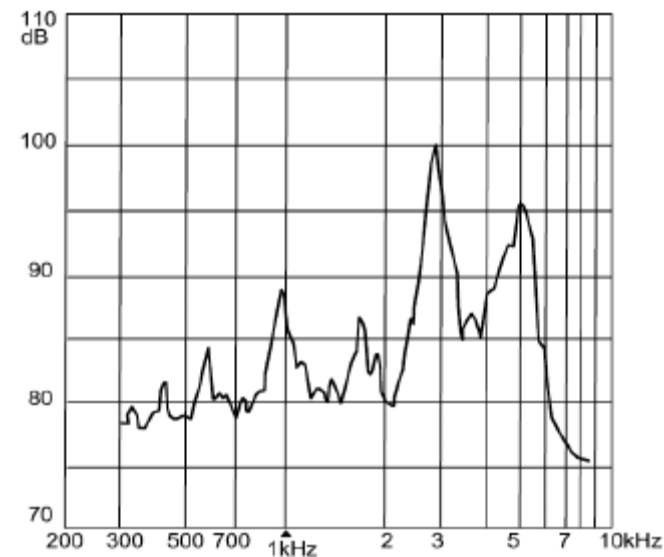
EDCON-COMPONENTS



Dimensions (mm)



Characteristics



SMD Magnetic Transducer

Part No.: **Y14025**

DRW:	Jason	CHKD	Wilson	MATL:	Wilson	TOLERANCE	Mason	DATE	10.06.2010
APPD:	Schumi			FINISH	Jamy		Sheet No.	2 from 4	

Customer:

www.edcon-components.com

email: info@edcon-components.com

EDCON-COMPONENTS



Ordering Informations

Serie	Model-No.	ROHS	Package						
Y14025	102705	R	TR						

R = ROHS Conform	TR = Tape Reel
N = NON ROHS Conform	TU = Tube Packing

SMD Magnetic Transducer

Part No.: **Y14025**

DRW:	Jason	CHKD	Wilson	MATL:	Wilson	TOLERANCE	Mason	DATE	10.06.2010
APPD:	Schumi			FINISH	Jamy		Sheet No.		3 from 4

Customer:



Soldering Profile Curve

Classification Reflow Profile (JEDEC J-STD-020C)



SMD Magnetic Transducer

Part No.: **Y14025**

DRW:	Jason	CHKD	Wilson	MATL:	Wilson	TOLERANCE	Mason	DATE	10.06.2010	Customer:
APPD:	Schumi			FINISH	Jamy		Sheet No.	4 from 4		