

# EDCON-COMPONENTS



## Specifications

Min. Sound Pressure Level at 2,7KHz / 3,6V Square Wave /10cm	85dB (typ90)
Rated Voltage	3,6Volt
Operating Voltage	3,2~4,5Volt
Max. Consumption at 2,7KHz/7,2Vp.p. Square Wave	100mA/3,6Vdc
Resonant Frequency	2,7KHz
DC Resistance	15~20Ω
Operating Temperature	. -30 ~ +70°C
Storage Temperature	. -40 ~ +85°C
Case Material / Color	PPS / Black

## Features

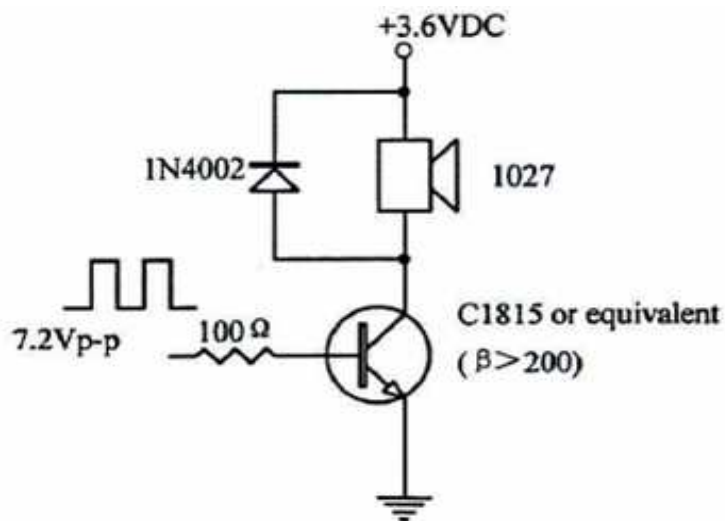
Super Miniature  
Super Thin  
Low Current

## Applications

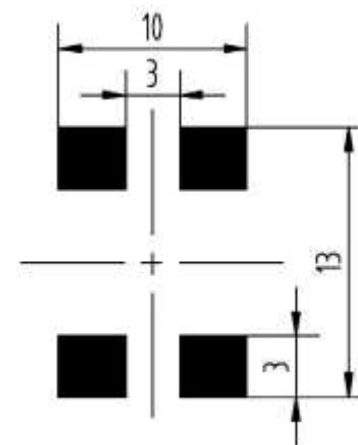
PDA ( Personal Digital Sssiitant)  
Miniature Electronic Devices

This Label is removed after reflow soldering

## Test Circuit



## PCB Layout



**SMD Magnetic Tranducer**

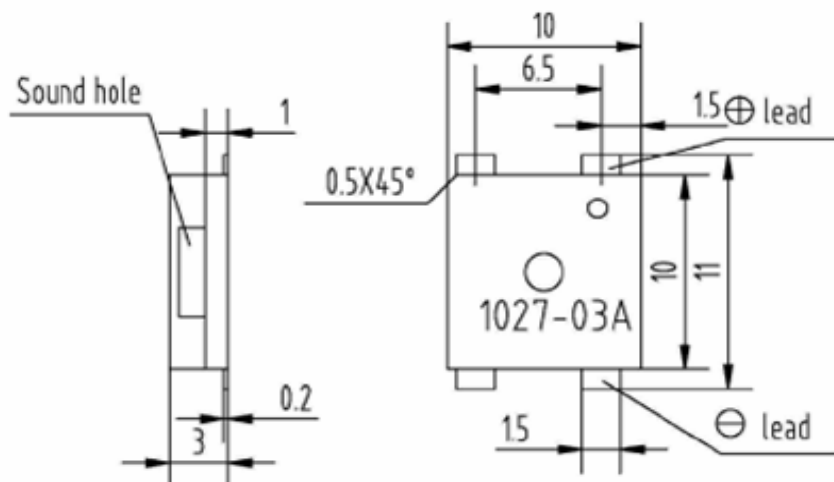
Part No.: **Y14023**

DRW:	Jason	CHKD	Wilson	MATL:	Wilson	TOLERANCE	Mason	DATE	10.06.2010	Customer:
APPD:	Schumi			FINISH	Jamy		Sheet No.	1 from 4		

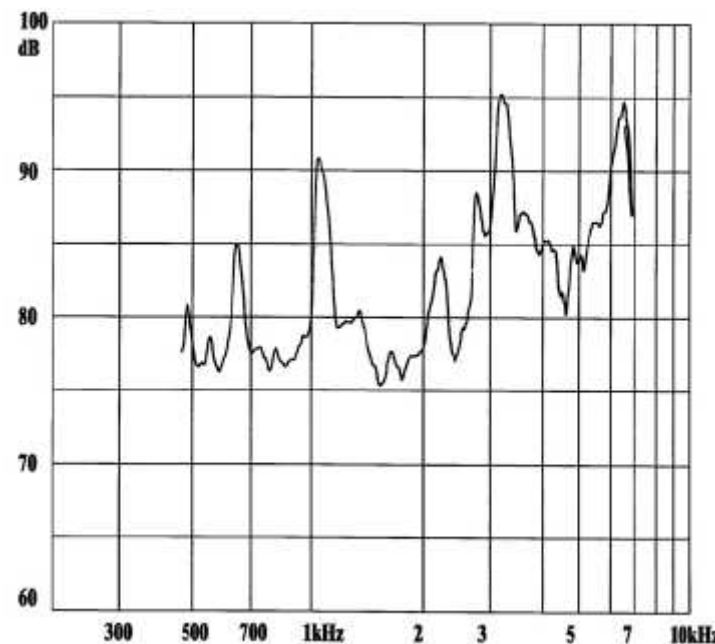
# EDCON-COMPONENTS



## Dimensions (mm)



## Characteristics



**SMD Magnetic Transducer**

Part No.: **Y14023**

DRW:	Jason	CHKD	Wilson	MATL:	Wilson	TOLERANCE	Mason	DATE	10.06.2010
APPD:	Schumi			FINISH	Jamy		Sheet No.	2 from 4	

Customer:

[www.edcon-components.com](http://www.edcon-components.com)

email: [info@edcon-components.com](mailto:info@edcon-components.com)

# EDCON-COMPONENTS



## Ordering Informations

Serie	Model-No.	ROHS	Package						
<b>Y14023</b>	<b>102703A</b>	<b>R</b>	<b>TR</b>						

<b>R</b> = ROHS Conform	<b>TR</b> = Tape Reel
<b>N</b> = NON ROHS Conform	<b>TU</b> = Tube Packing

<b>SMD Magnetic Transducer</b>	
Part No.:	<b>Y14023</b>
Customer:	

DRW:	Jason	CHKD	Wilson	MATL:	Wilson	TOLERANCE	Mason	DATE	10.06.2010
APPD:	Schumi			FINISH	Jamy		Sheet No.	3 from 4	



Soldering Profile Curve

Classification Reflow Profile (JEDEC J-STD-020C)



**SMD Magnetic Tranducer**

Part No.: **Y14023**

DRW:	Jason	CHKD	Wilson	MATL:	Wilson	TOLERANCE	Mason	DATE	10.06.2010
APPD:	Schumi			FINISH	Jamy		Sheet No.	4 from 4	Customer: