

EDCON-COMPONENTS

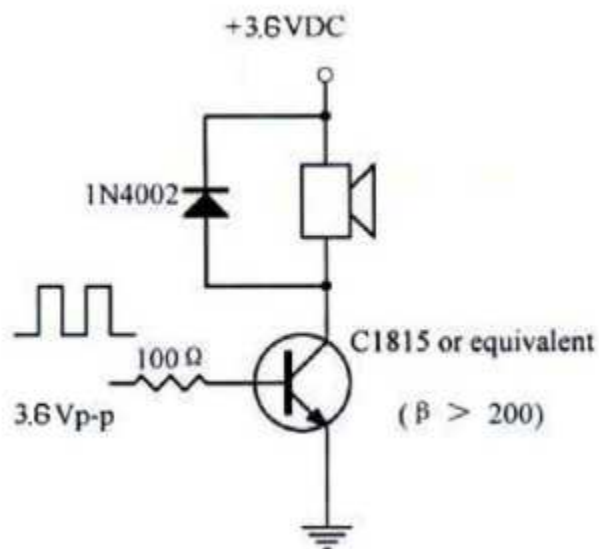


Specifications

Min. Sound Pressure Level at 3,6Vdc /4000Hz /10cm	78dB
Rated Voltage	3,6Volt
Operating Voltage	2,5~4,5Volt
Max. Consumption at 2,7KHz/7,2Vp.p. Square Wave	100mA/3,6Vdc
Resonant Frequency	4,0KHz
Coil Resistance	12,2Ω
Operating Temperature	. -20 ~ +60°C
Storage Temperature	. -30 ~ +80°C
Housing Material / Color	LCP plastic resin / Black
Weight:	0,6gr.

This Label is removed after reflow soldering

Test Circuit



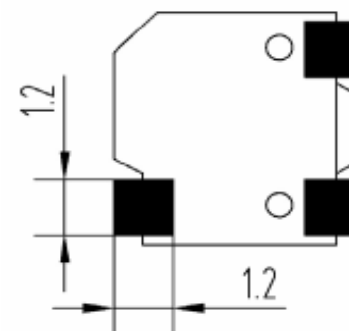
Features

This Item is designed for surface mounting Applications
Small Size

Applications

PDA (Personal Digital Assistant)
Miniature Electronic Device

PCB Layout



SMD Piezo Transducer

Part No.: **Y13012**

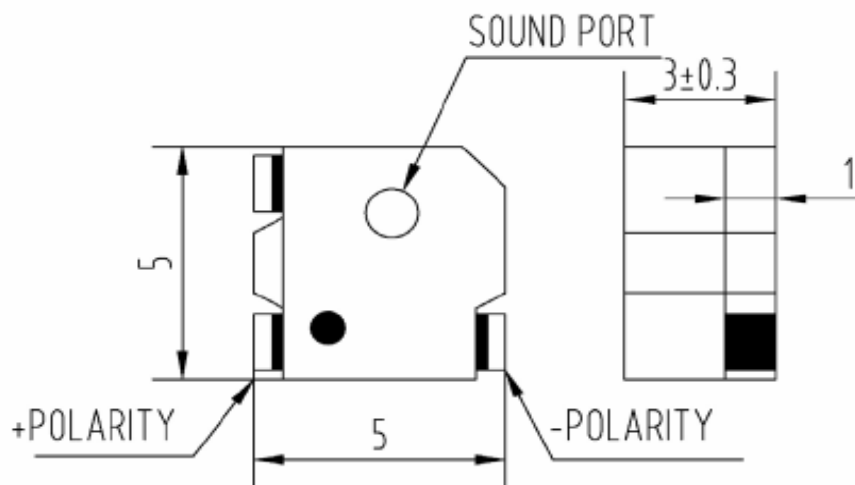
Customer:

DRW:	Jason	CHKD	Wilson	MATL:	Wilson	TOLERANCE	Mason	DATE	10.06.2010
APPD:	Schumi			FINISH	Jamy		Sheet No.	1 from 4	

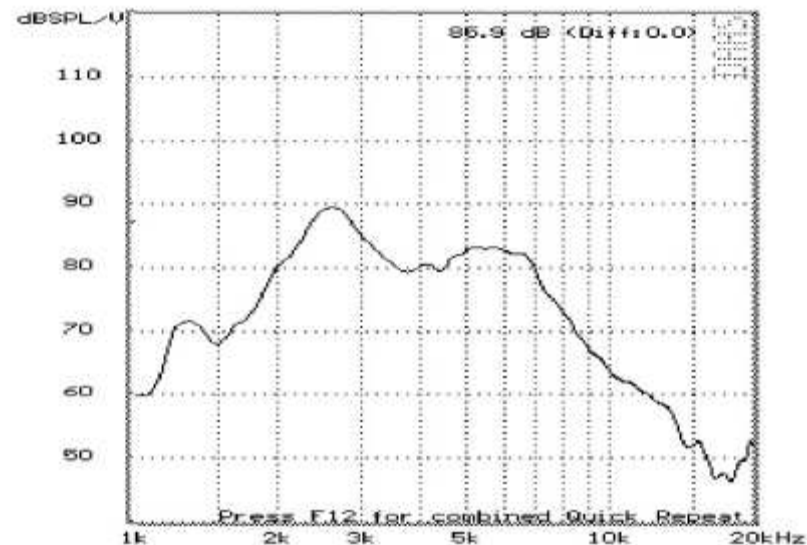
EDCON-COMPONENTS



Dimensions (mm)



Characteristics



SMD Piezo Transducer

Part No.: **Y13012**

DRW:	Jason	CHKD	Wilson	MATL:	Wilson	TOLERANCE	Mason	DATE	10.06.2010	Customer:
APPD:	Schumi			FINISH	Jamy		Sheet No.	2 from 4		

www.edcon-components.com

email: info@edcon-components.com

EDCON-COMPONENTS



Ordering Informations

Serie	Model-No.	ROHS	Package						
Y13012	554003A	R	TR						

R = ROHS Conform	TR = Tape Reel
N = NON ROHS Conform	TU = Tube Packing
	TY = Tray Packing

SMD Piezo Transducer

Part No.: **Y13012**

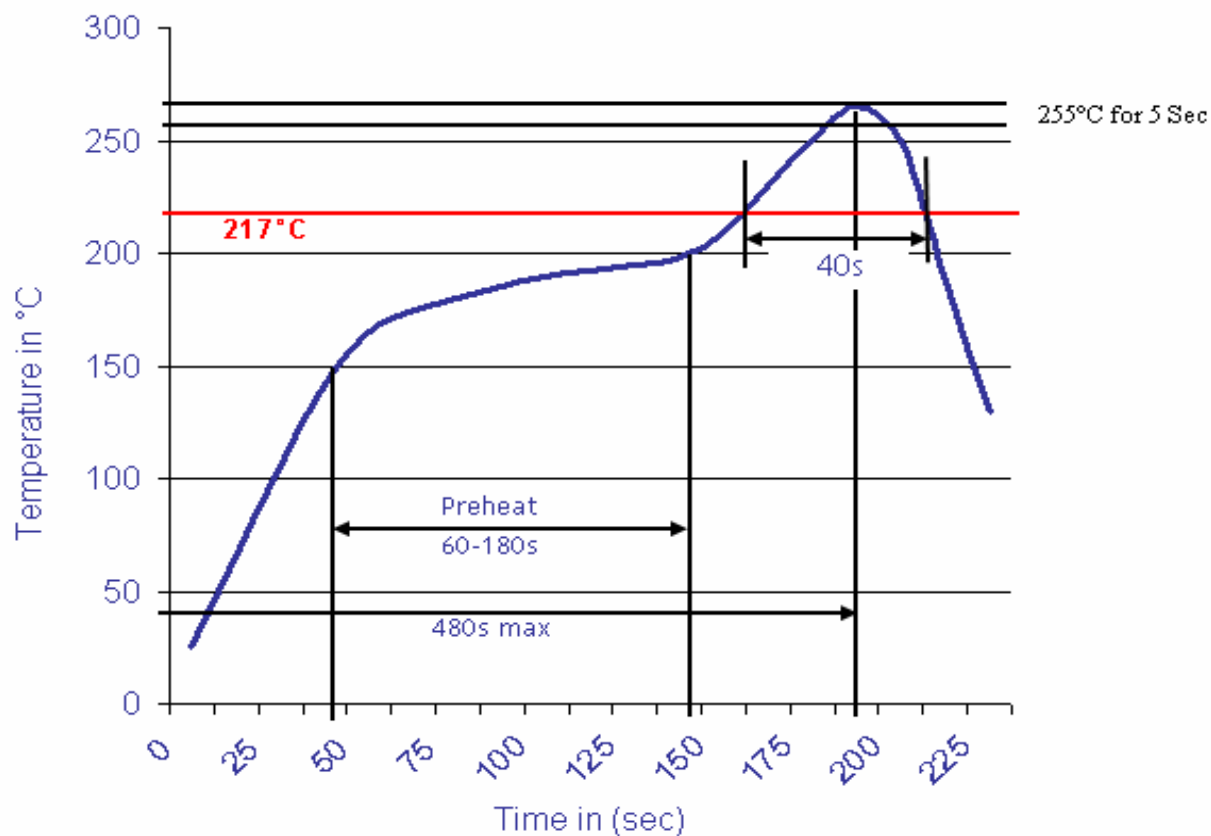
DRW:	Jason	CHKD	Wilson	MATL:	Wilson	TOLERANCE	Mason	DATE	10.06.2010
APPD:	Schumi			FINISH	Jamy		Sheet No.		3 from 4

Customer:



Soldering Profile Curve

Classification Reflow Profile (JEDEC J-STD-020C)



SMD Piezo Transducer

Part No.: **Y13012**

DRW:	Jason	CHKD	Wilson	MATL:	Wilson	TOLERANCE	Mason	DATE	10.06.2010	Customer:
APPD:	Schumi			FINISH	Jamy		Sheet No.	4 from 4		