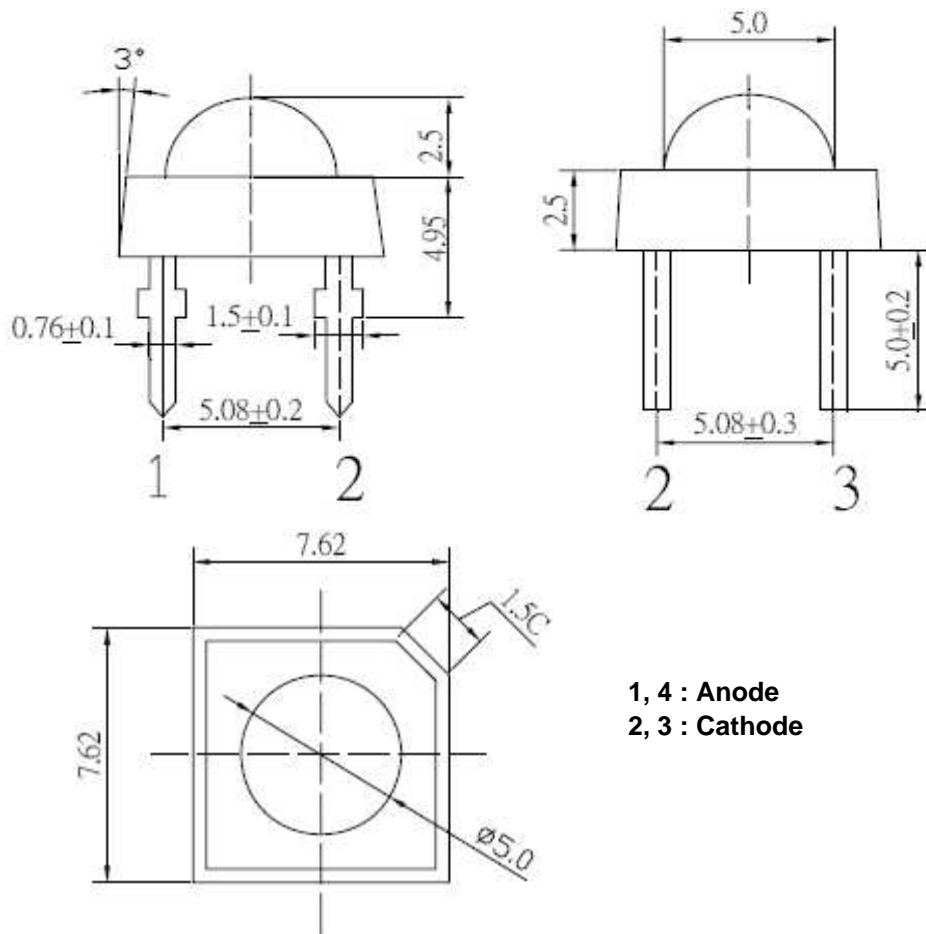




Applications

- Electronic Signs and Signals
- Small Area Illuminations
 - Back Lighting
 - Other Lighting

Technical Drawing



1, 4 : Anode
2, 3 : Cathode

Notes :

All dimensions in mm tolerance is ± 0.1 mm unless otherwise noted.

Super Flux Green	
Part No.:	M13K2032
Customer:	

DRW:	Dong	CHKD	Chang	MATL:	Chui	DATE	16.11.2010
APPD:	Ping			FINISH	Hui	Sheet	1 from 6



Absolute Maximum Ratings

Item	Symbol	---	Unit
Power Dissipation	P_D	180	mW
DC Forward Current	I_F	50	mA
Pulsed Forward Current	I_{FP}^*	100	mA
Reverse Voltage	V_R	5	V
Operating Temperature	T_{OP}	-30 to 85	°C
Storage Temperature	T_{ST}	-40 to 100	°C

* 0.1 msec pulse, 10% duty cycle

Electrcal / Optical Characteristics

Ermitting Color	Green		
Material	---		
Forward Voltage	typ.	3.1	V_F
	max.	3.6	V_F
Wavelength typ.	λ_D	520 ~ 530	nm
	λ_P	---	nm
	$\Delta\lambda$	---	nm
Color Temperature	min.	---	K
	max.	---	K
Luminous Intensity *	min.	8400	mcd
	typ.	10000	mcd
Reverse Current	max.	---	μA
Viewing Angle	2 Θ 1/2	120	

* Per NIST standards

**Super Flux
Green**

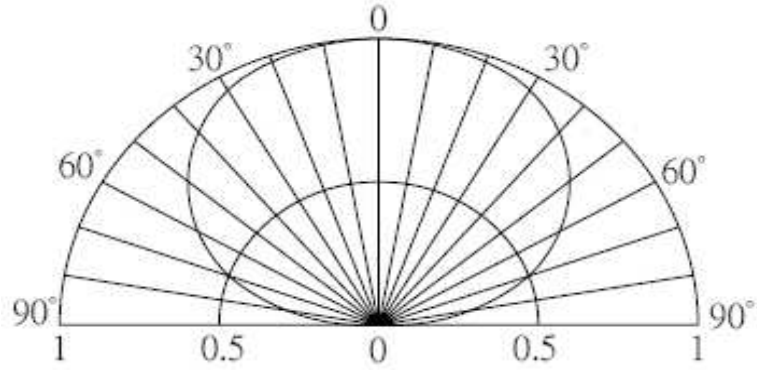
Part No.: **M13K2032**

Customer:

DRW:	Dong	CHKD	Chang	MATL:	Chui	DATE	16.11.2010
APPD:	Ping			FINISH	Hui	Sheet	2 from 6



Directive Characteristics



Super Flux Green	
Part No.:	M13K2032
Customer:	

DRW:	Dong	CHKD	Chang	MATL:	Chui	DATE	16.11.2010
APPD:	Ping			FINISH	Hui	Sheet	3 from 6



Typical Characteristics



Super Flux Green	
Part No.:	M13K2032
Customer:	

DRW:	Dong	CHKD	Chang	MATL:	Chui	DATE	16.11.2010
APPD:	Ping			FINISH	Hui	Sheet	4 from 6



Solder Condition

Lead Free Solder

Classification Reflow Profile (JEDEC J-STD-020C)

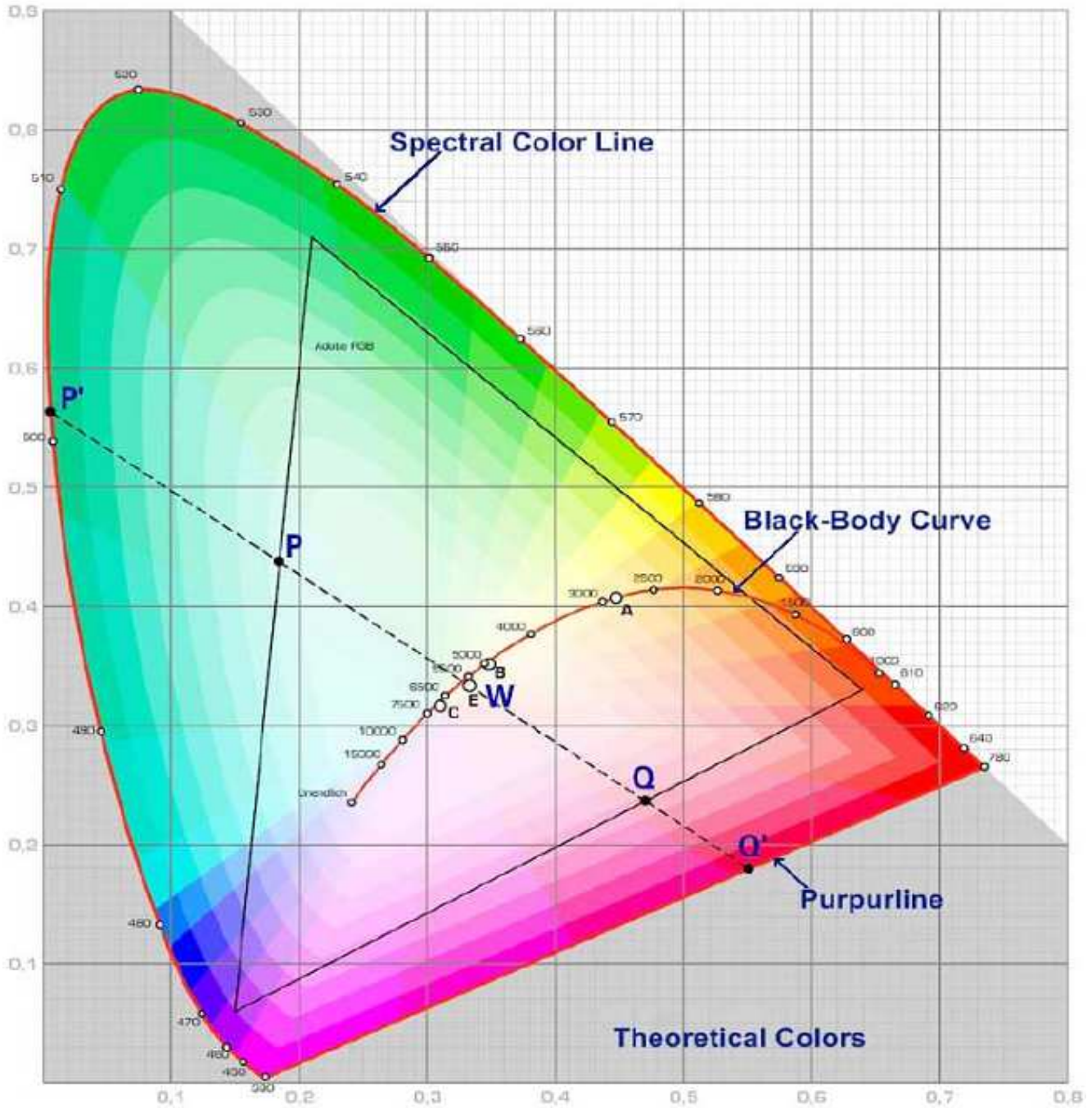


Super Flux Green	
Part No.:	M13K2032
Customer:	

DRW:	Dong	CHKD	Chang	MATL:	Chui	DATE	16.11.2010
APPD:	Ping			FINISH	Hui	Sheet	5 from 6



Color table curve



Super Flux Green	
Part No.:	M13K2032
Customer:	

DRW:	Dong	CHKD	Chang	MATL:	Chui	DATE	16.11.2010
APPD:	Ping			FINISH	Hui	Sheet	6 from 6