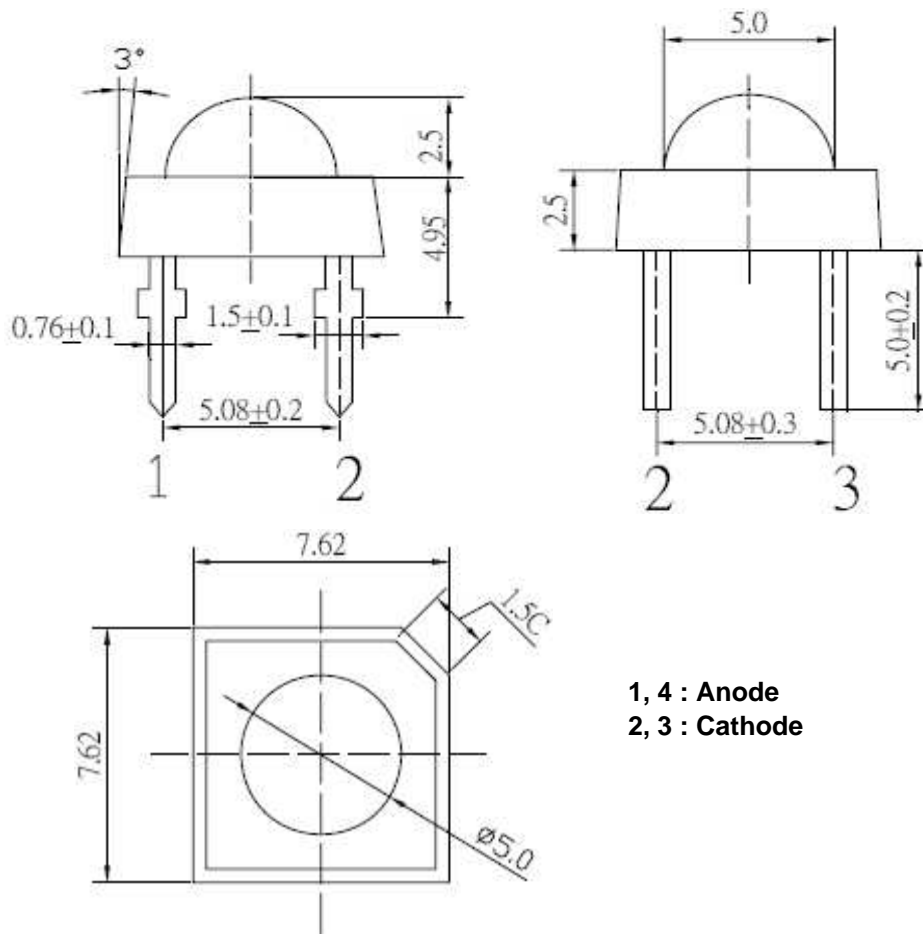




Applications

- Electronic Signs and Signals
- Small Area Illuminations
 - Back Lighting
 - Other Lighting

Technical Drawing



1, 4 : Anode
 2, 3 : Cathode

Notes :

All dimensions in mm tolerance is ± 0.1 mm unless otherwise noted.

| | |
|----------------------------|-----------------|
| Super Flux Blue | |
| Part No.: | M13K2022 |
| Customer: | |

| | | | | | | | |
|-------|------|------|-------|--------|------|-------|------------|
| DRW: | Dong | CHKD | Chang | MATL: | Chui | DATE | 07.12.2009 |
| APPD: | Ping | | | FINISH | Hui | Sheet | 1 from 6 |



Absolute Maximum Ratings

Ta=25°C

| Item | Symbol | --- | Unit |
|------------------------|-------------------|------------|------|
| Power Dissipation | P _D | 190 | mW |
| DC Forward Current | I _F | 50 | mA |
| Pulsed Forward Current | I _{FP} * | 120 | mA |
| Reverse Voltage | V _R | 5 | V |
| Operating Temperature | T _{OP} | -30 to 85 | °C |
| Storage Temperature | T _{ST} | -40 to 100 | °C |

* 0.1 msec pulse, 10% duty cycle

Electrical / Optical Characteristics

I_F=50mA Ta=25°C

| | | | |
|-----------------------------|----------------|-----------|----------------|
| Emitting Color | Blue | | |
| Material | --- | | |
| Forward Voltage | typ. | 3.3 | V _F |
| | max. | 3.8 | V _F |
| Wavelength typ. | λ _D | 465 ~ 475 | nm |
| | λ _P | --- | nm |
| | Δλ | --- | nm |
| Color Temperature | min. | --- | K |
| | max. | --- | K |
| Luminous Intensity * | min. | 4200 | mcd |
| | typ. | 5000 | mcd |
| Reverse Current | max. | 10 | μA |
| Viewing Angle | 2θ1/2 | 60 | |

* Per NIST standards

**Super Flux
Blue**

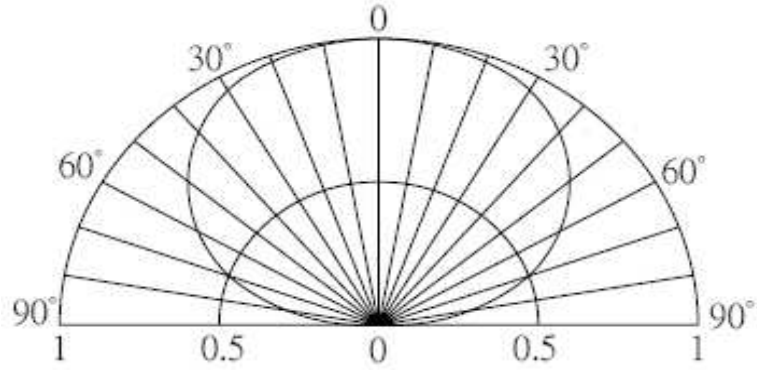
Part No.: **M13K2022**

Customer:

| | | | | | | | |
|-------|------|------|-------|--------|------|-------|------------|
| DRW: | Dong | CHKD | Chang | MATL: | Chui | DATE | 07.12.2009 |
| APPD: | Ping | | | FINISH | Hui | Sheet | 2 from 6 |



Directive Characteristics



**Super Flux
Blue**

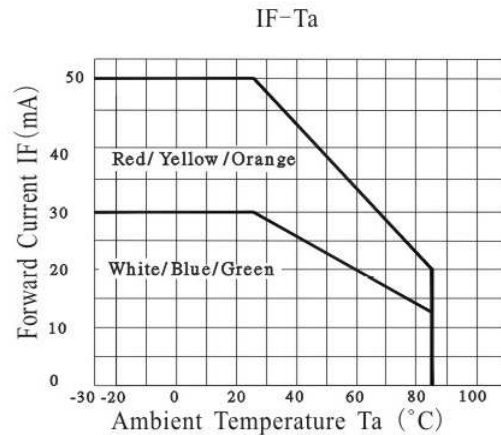
Part No.: **M13K2022**

Customer:

| | | | | | | | |
|-------|------|------|-------|--------|------|-------|------------|
| DRW: | Dong | CHKD | Chang | MATL: | Chui | DATE | 07.12.2009 |
| APPD: | Ping | | | FINISH | Hui | Sheet | 3 from 6 |



Typical Characteristics



| | |
|----------------------------|-----------------|
| Super Flux Blue | |
| Part No.: | M13K2022 |
| Customer: | |

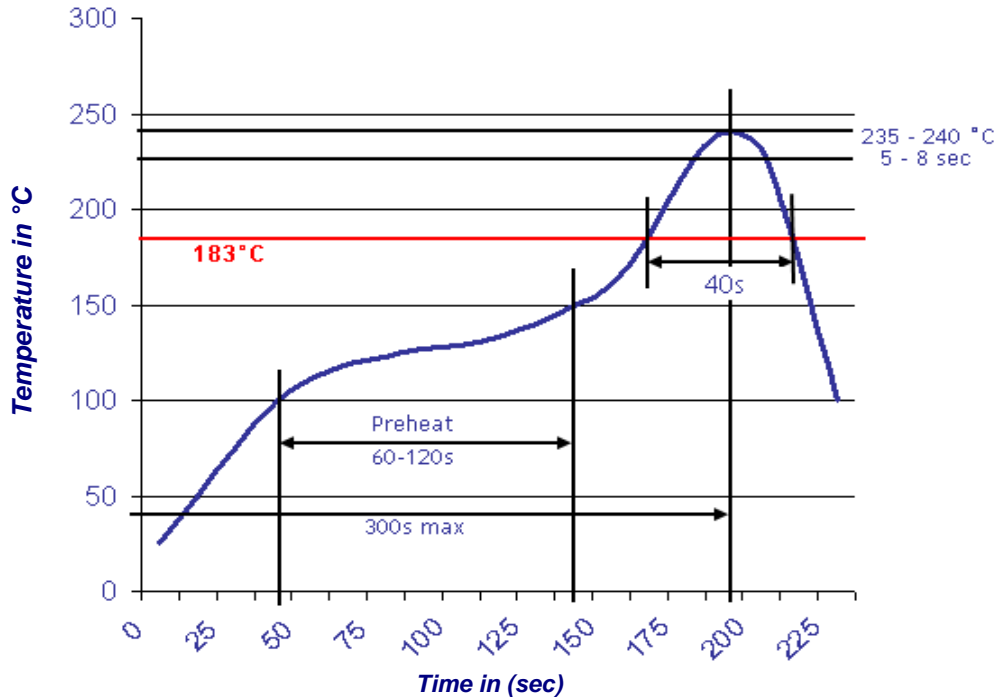
| | | | | | | | |
|-------|------|------|-------|--------|------|-------|------------|
| DRW: | Dong | CHKD | Chang | MATL: | Chui | DATE | 07.12.2009 |
| APPD: | Ping | | | FINISH | Hui | Sheet | 4 from 6 |



Solder Condition

Lead Free Solder

Classification Reflow Profile (JEDEC J-STD-020C)

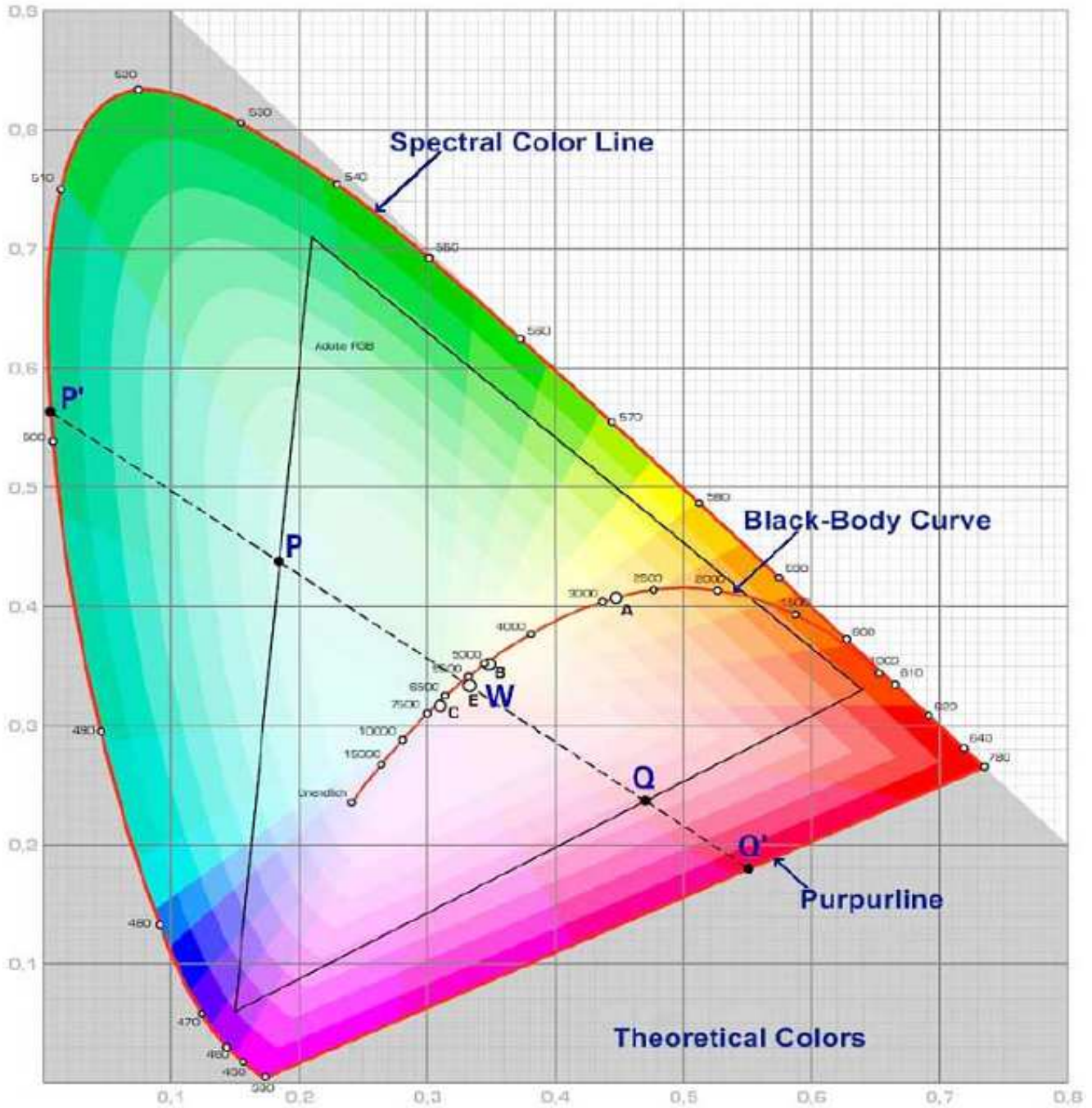


| | |
|----------------------------|-----------------|
| Super Flux Blue | |
| Part No.: | M13K2022 |
| Customer: | |

| | | | | | | | |
|-------|------|------|-------|--------|------|-------|------------|
| DRW: | Dong | CHKD | Chang | MATL: | Chui | DATE | 07.12.2009 |
| APPD: | Ping | | | FINISH | Hui | Sheet | 5 from 6 |



Color table curve



| | |
|----------------------------|-----------------|
| Super Flux Blue | |
| Part No.: | M13K2022 |
| Customer: | |

| | | | | | | | |
|-------|------|------|-------|--------|------|-------|------------|
| DRW: | Dong | CHKD | Chang | MATL: | Chui | DATE | 07.12.2009 |
| APPD: | Ping | | | FINISH | Hui | Sheet | 6 from 6 |