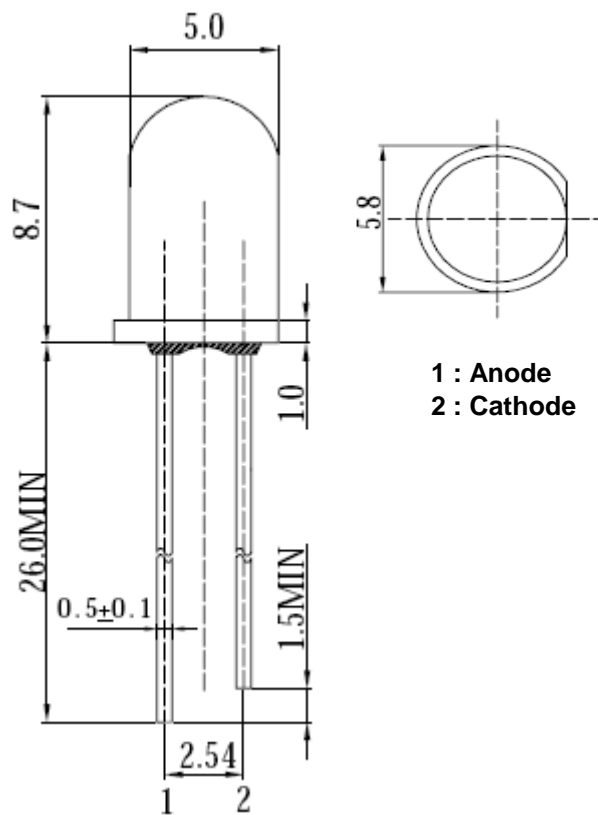




Applications

- Electronic Signs and Signals
- Small Area Illuminations
 - Back Lighting
 - Other Lighting

Technical Drawing



Notes :

All dimensions in mm tolerance is $\pm 0.1\text{mm}$ unless otherwise noted.

SMT Top View LED	
Yellow	Green
Part No.:	M13J5003
Customer:	

DRW:	Ron	CHKD	Lang	MATL:	Chang	DATE	05.12.2009
APPD:	Xie			FINISH	Wang	Sheet	1 from 6



Absolute Maximum Ratings

Ta=25°C

Item	Symbol	---	---	Unit
Power Dissipation	P _D		---	mW
DC Forward Current	I _F		---	mA
Pulsed Forward Current	I _{FP} *		---	mA
Reverse Voltage	V _R		5	V
Operating Temperature	T _{OP}		-30 to 85	°C
Storage Temperature	T _{ST}		-40 to 100	°C
Derating Linear From 50°C	---		---	mA / °C

* 0.1 msec pulse, 10% duty cycle

Electrical / Optical Characteristics

I_F=20mA Ta=25°C

Emitting Color	Yellow		Green	
	Material	---	---	---
Forward Voltage	typ.	3.3	3.3	V _F
	max.	5.0	5.0	V _F
Wavelength typ.	λ _D	585	520	nm
	λ _P	590	525	nm
	Δλ	---	---	nm
Oscillator Frequency	min.	---	---	Hz
	typ.	1.8	1.8	Hz
	max.	---	---	Hz
Duty Cycle	typ.	1/2	1/2	---
Luminous Intensity *	min.	5800	12000	mcd
	typ.	7000	14400	mcd
Reverse Current	max.		---	μA
Viewing Angle	2Θ1/2		30	

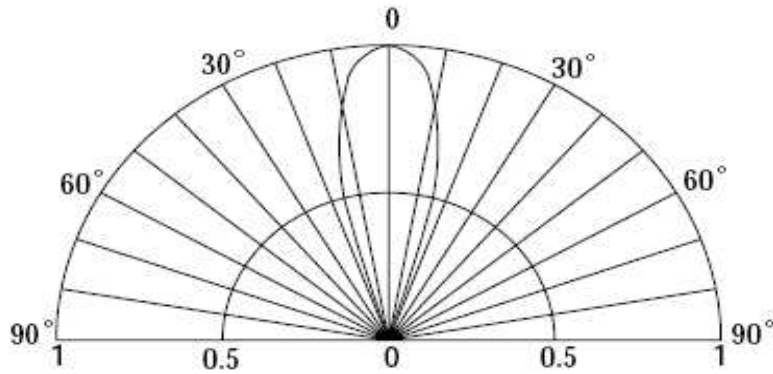
* Per NIST standards

SMT Top View LED	
Yellow	Green
Part No.:	M13J5003
Customer:	

DRW:	Ron	CHKD	Lang	MATL:	Chang	DATE	05.12.2009
APPD:	Xie			FINISH	Wang	Sheet	2 from 6



Directive Characteristics

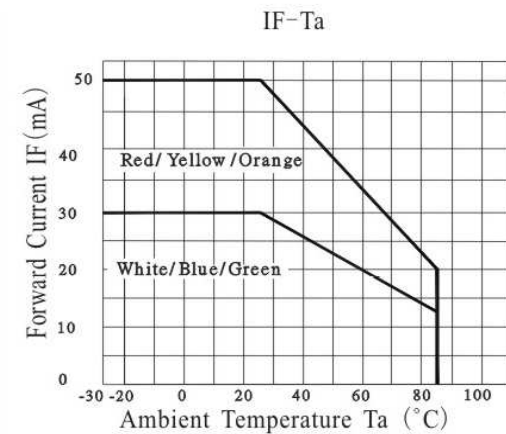
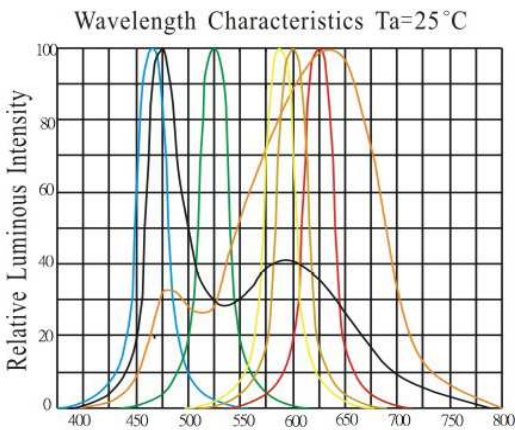
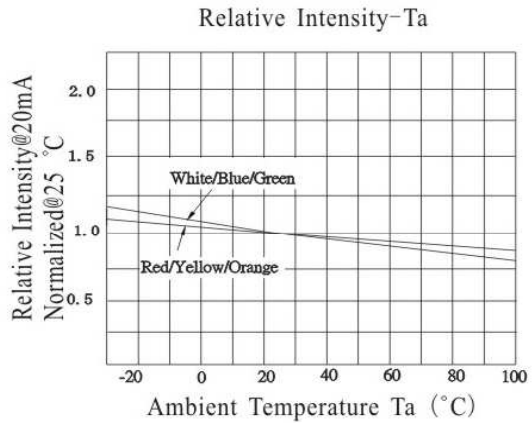
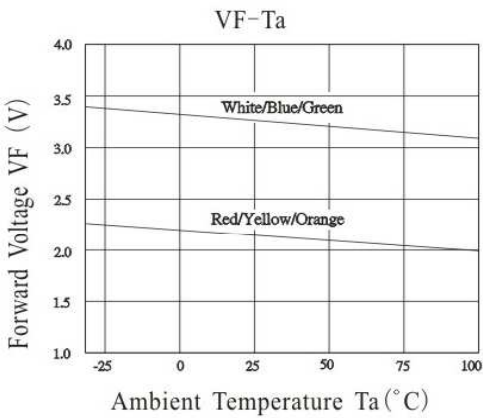
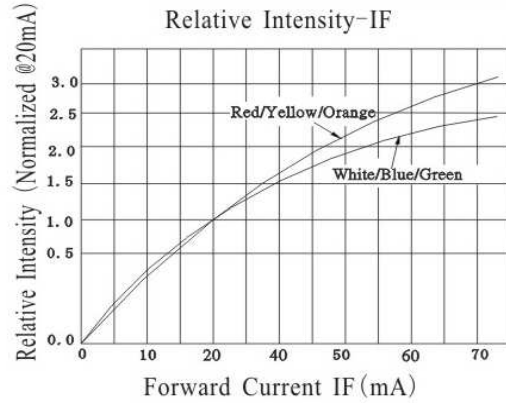
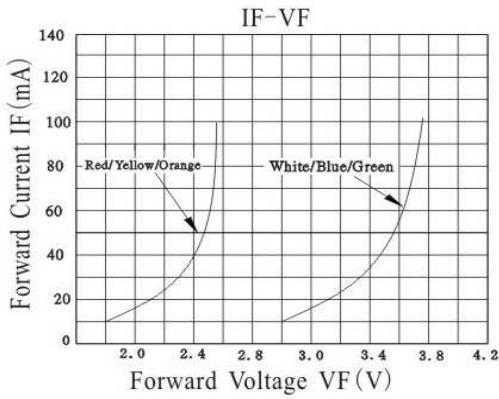


SMT Top View LED Yellow Green	
Part No.:	M13J5003
Customer:	

DRW:	Ron	CHKD	Lang	MATL:	Chang	DATE	05.12.2009
APPD:	Xie			FINISH	Wang	Sheet	3 from 6



Typical Characteristics



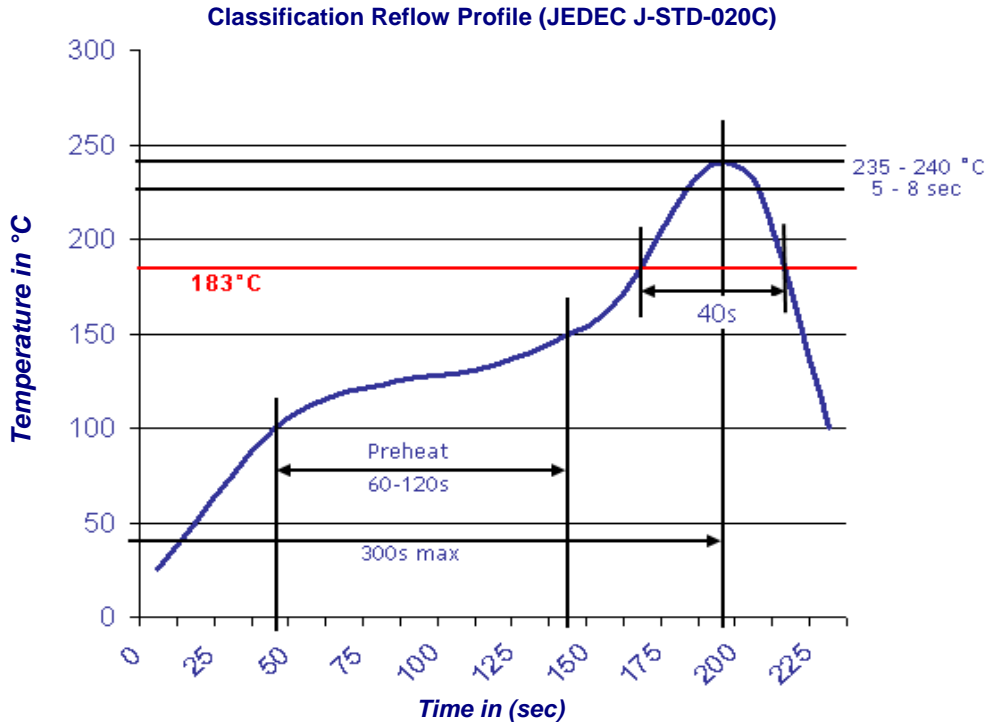
SMT Top View LED	
Yellow	Green
Part No.:	M13J5003
Customer:	

DRW:	Ron	CHKD	Lang	MATL:	Chang	DATE	05.12.2009
APPD:	Xie			FINISH	Wang	Sheet	4 from 6



Solder Condition

Lead Free Solder

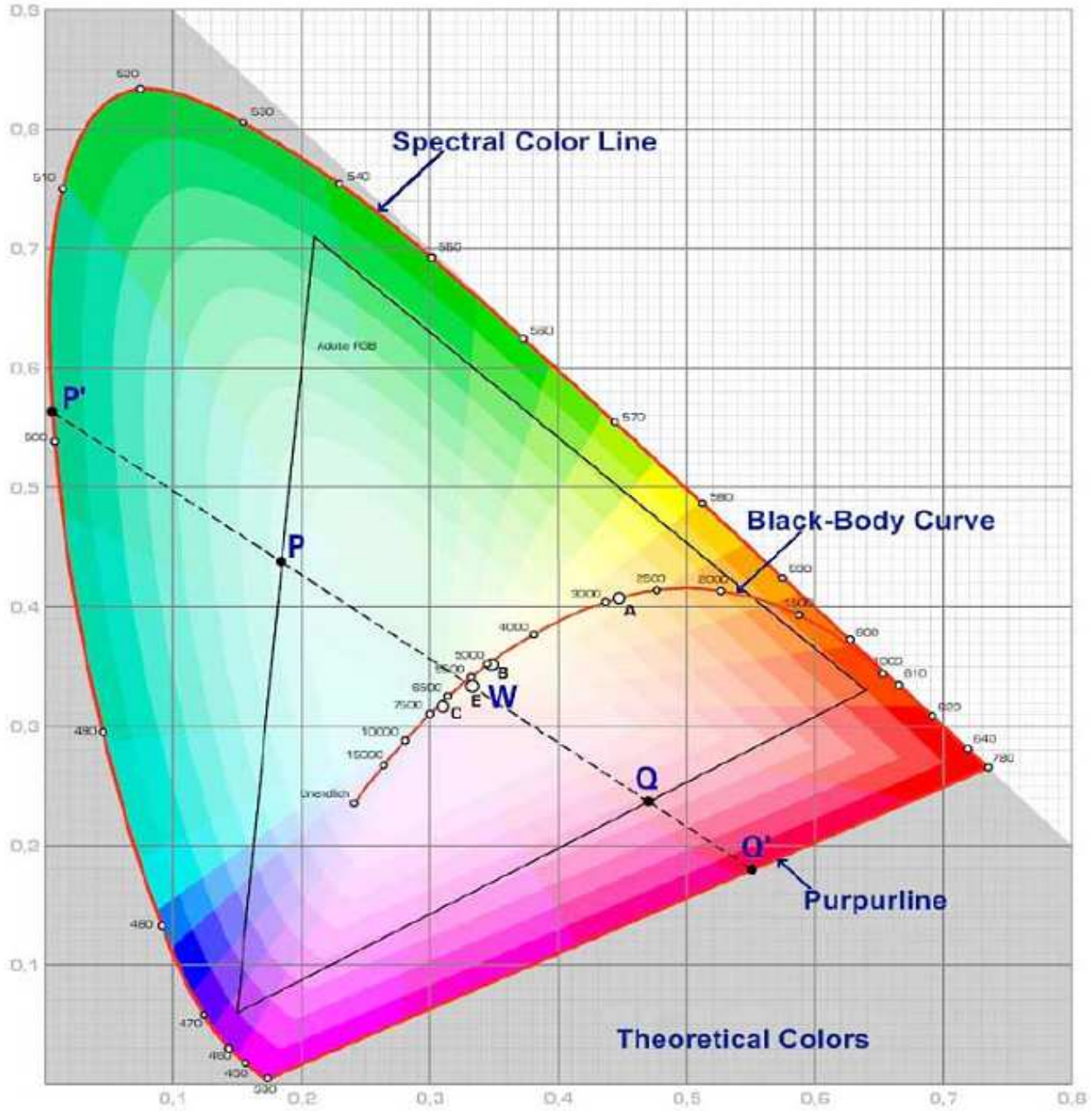


SMT Top View LED	
Yellow	Green
Part No.:	M13J5003
Customer:	

DRW:	Ron	CHKD	Lang	MATL:	Chang	DATE	05.12.2009
APPD:	Xie			FINISH	Wang	Sheet	5 from 6



Color table curve



SMT Top View LED	
Yellow	Green
Part No.:	M13J5003
Customer:	

DRW:	Ron	CHKD	Lang	MATL:	Chang	DATE	05.12.2009
APPD:	Xie			FINISH	Wang	Sheet	6 from 6

Copyright by EDCON-COMPONENTS