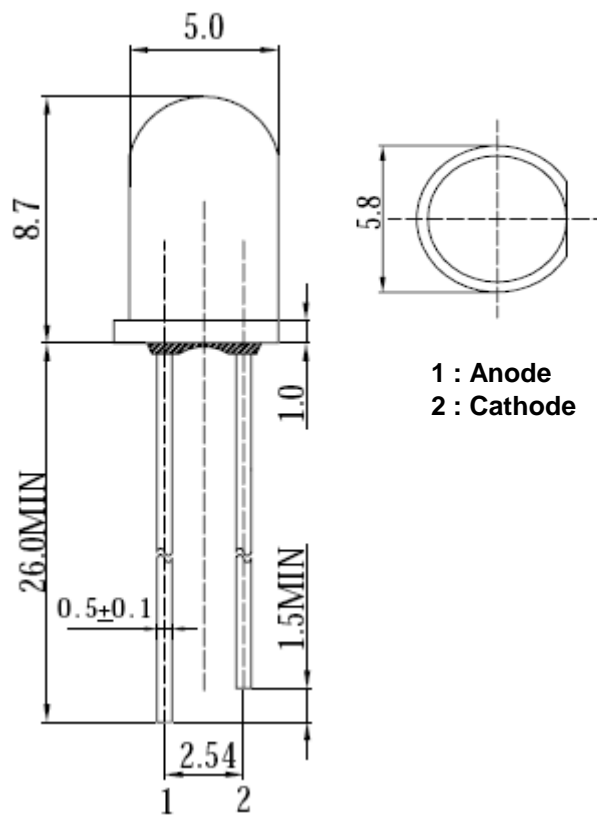




**Applications**

- Electronic Signs and Signals
- Small Area Illuminations
  - Back Lighting
  - Other Lighting

**Technical Drawing**



1 : Anode  
2 : Cathode

**Notes :**

All dimensions in mm tolerance is  $\pm 0.1\text{mm}$  unless otherwise noted.

<b>SMT Top View LED</b>	
<b>Yellow</b>	<b>Blue</b>
Part No.:	<b>M13J5002</b>
Customer:	

DRW:	Ron	CHKD	Lang	MATL:	Chang	DATE	05.12.2009
APPD:	Xie			FINISH	Wang	Sheet	1 from 6



**Absolute Maximum Ratings**

Ta=25°C

Item	Symbol	---	---	Unit
Power Dissipation	P <sub>D</sub>		---	mW
DC Forward Current	I <sub>F</sub>		---	mA
Pulsed Forward Current	I <sub>FP</sub> *		---	mA
Reverse Voltage	V <sub>R</sub>		5	V
Operating Temperature	T <sub>OP</sub>		-30 to 85	°C
Storage Temperature	T <sub>ST</sub>		-40 to 100	°C
Derating Linear From 50°C	---		---	mA / °C

\* 0.1 msec pulse, 10% duty cycle

**Electrical / Optical Characteristics**

I<sub>F</sub>=20mA Ta=25°C

Ermitting Color	Yellow		Blue	
Material	---		---	
Forward Voltage	typ.	3.3	3.3	V <sub>F</sub>
	max.	5.0	5.0	V <sub>F</sub>
Wavelength typ.	λ <sub>D</sub>	585	465	nm
	λ <sub>P</sub>	590	470	nm
	Δλ	---	---	nm
Oscillator Frequency	min.	---	---	Hz
	typ.	1.8	1.8	Hz
	max.	---	---	Hz
Duty Cycle	typ.	1/2	1/2	---
Luminous Intensity *	min.	5800	2000	mcd
	typ.	7000	2500	mcd
Reverse Current	max.	---		μA
Viewing Angle	2Θ1/2	30		

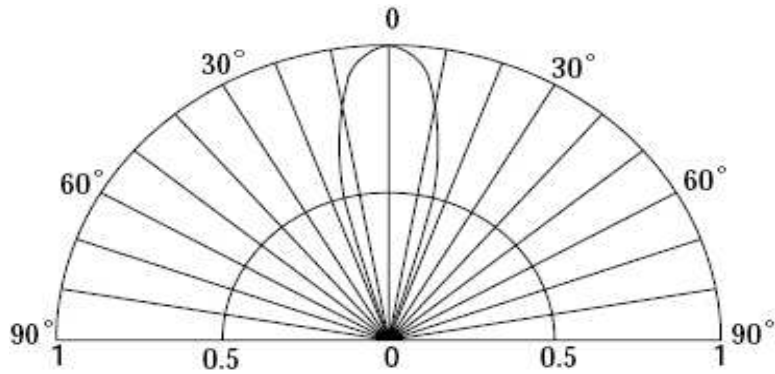
\* Per NIST standards

<b>SMT Top View LED</b>	
<b>Yellow</b>	<b>Blue</b>
Part No.:	<b>M13J5002</b>
Customer:	

DRW:	Ron	CHKD	Lang	MATL:	Chang	DATE	05.12.2009
APPD:	Xie			FINISH	Wang	Sheet	2 from 6



**Directive Characteristics**

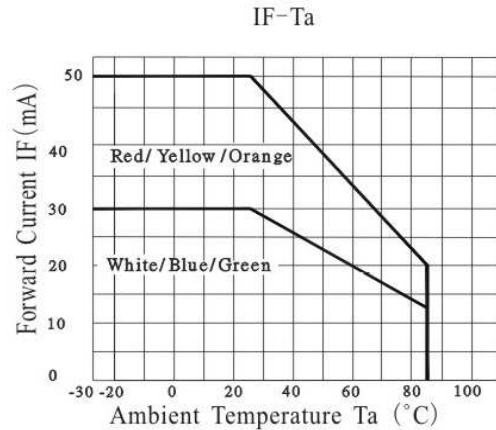
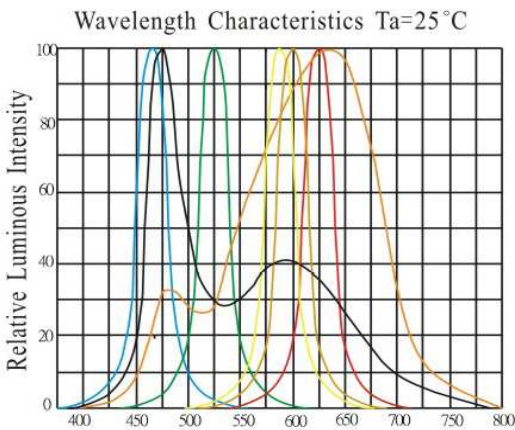
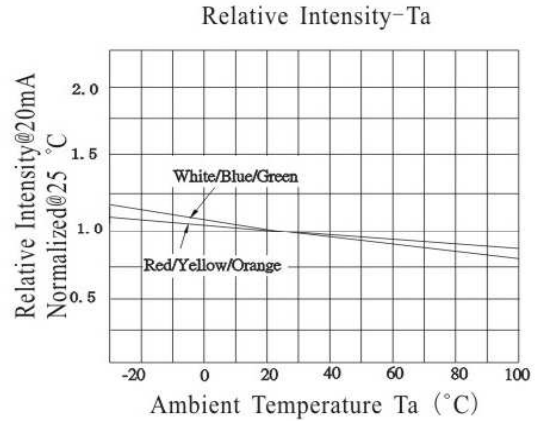
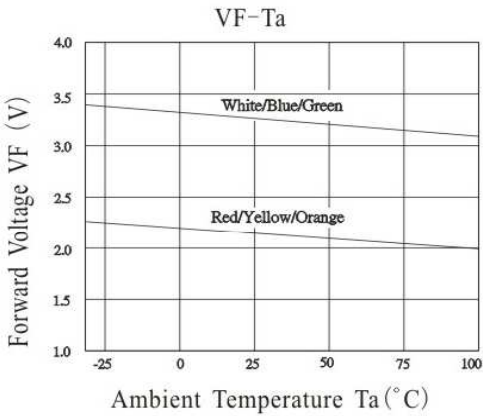
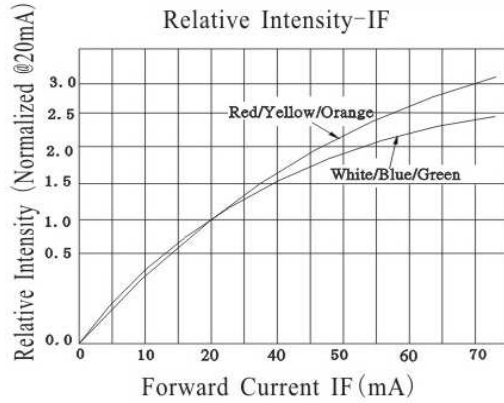
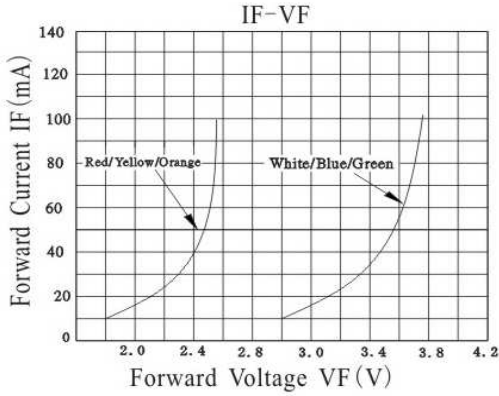


<b>SMT Top View LED</b> <b>Yellow</b> <b>Blue</b>	
Part No.:	<b>M13J5002</b>
Customer:	

DRW:	Ron	CHKD	Lang	MATL:	Chang	DATE	05.12.2009
APPD:	Xie			FINISH	Wang	Sheet	3 from 6



**Typical Characteristics**



**SMT Top View LED**  
**Yellow** **Blue**

Part No.: **M13J5002**

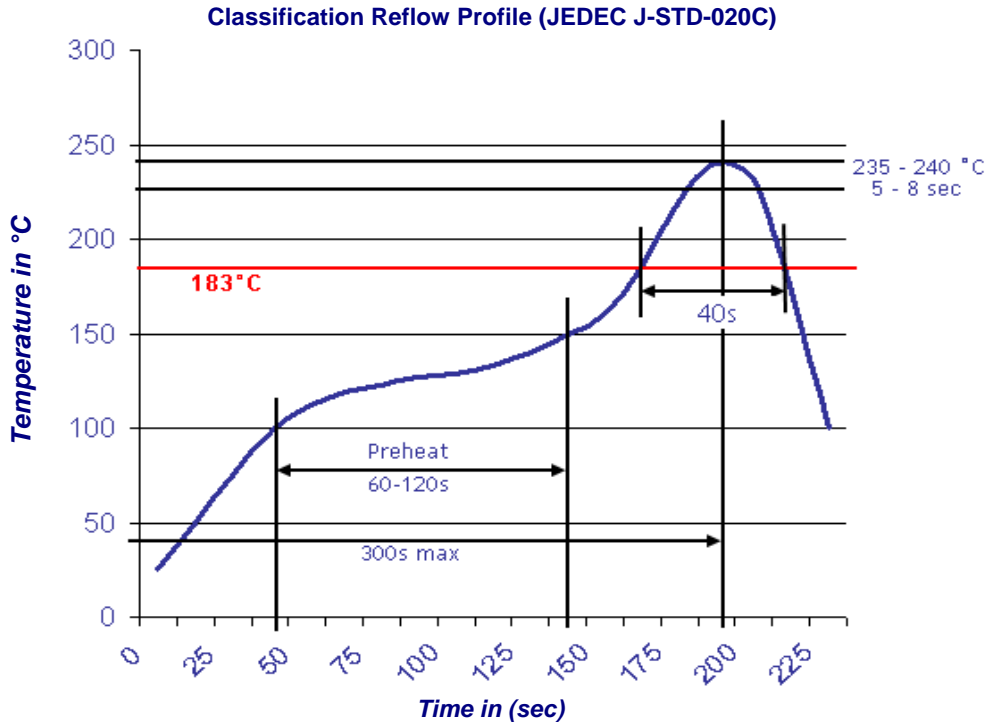
Customer:

DRW:	Ron	CHKD	Lang	MATL:	Chang	DATE	05.12.2009
APPD:	Xie			FINISH	Wang	Sheet	4 from 6



**Solder Condition**

**Lead Free Solder**

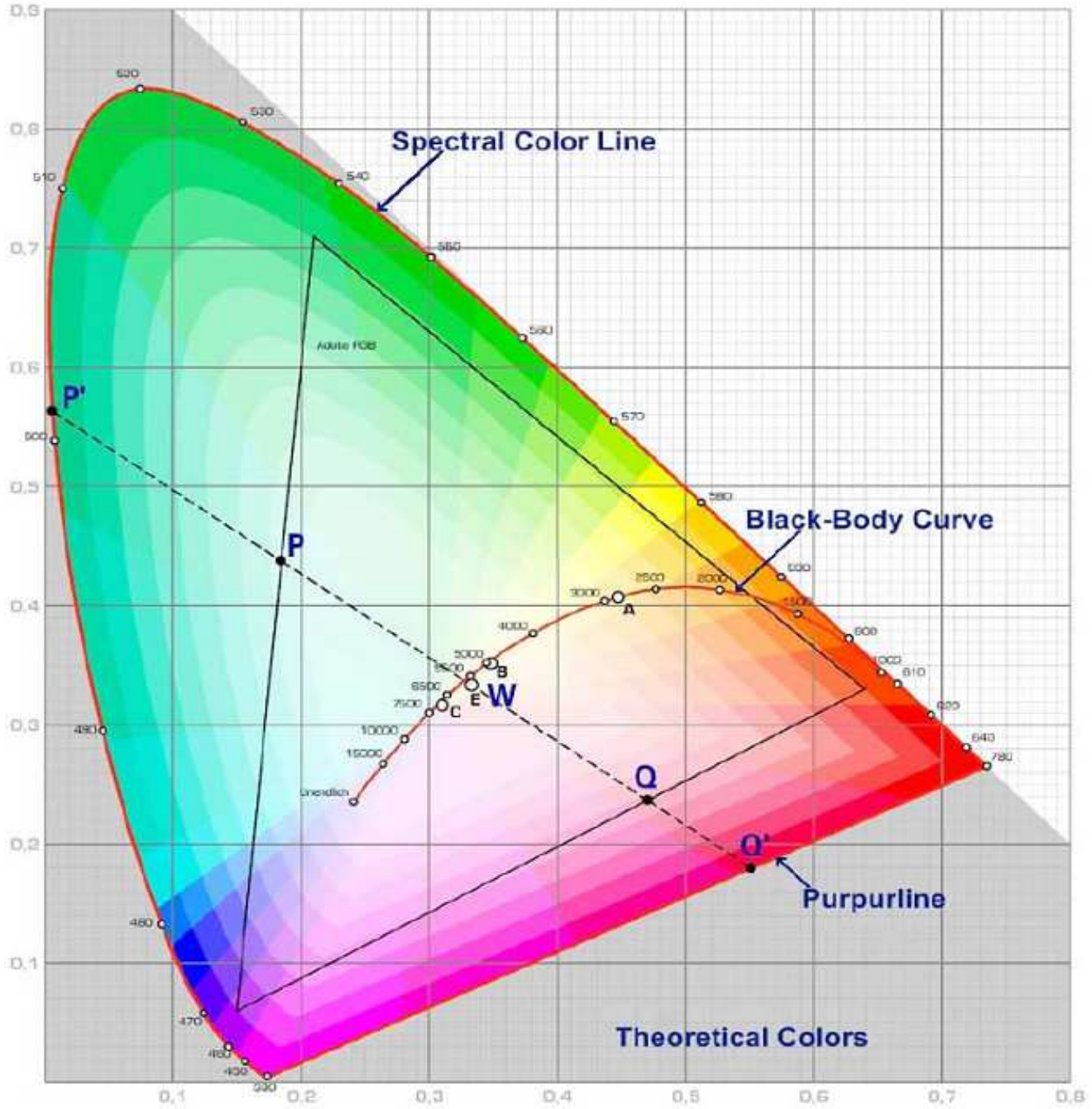


<b>SMT Top View LED</b>	
<b>Yellow</b>	<b>Blue</b>
Part No.:	<b>M13J5002</b>
Customer:	

DRW:	Ron	CHKD	Lang	MATL:	Chang	DATE	05.12.2009
APPD:	Xie			FINISH	Wang	Sheet	5 from 6



**Color table curve**



<b>SMT Top View LED</b>	
<b>Yellow</b>	<b>Blue</b>
Part No.:	<b>M13J5002</b>
Customer:	

DRW:	Ron	CHKD	Lang	MATL:	Chang	DATE	05.12.2009
APPD:	Xie			FINISH	Wang	Sheet	6 from 6

Copyright by EDCON-COMPONENTS