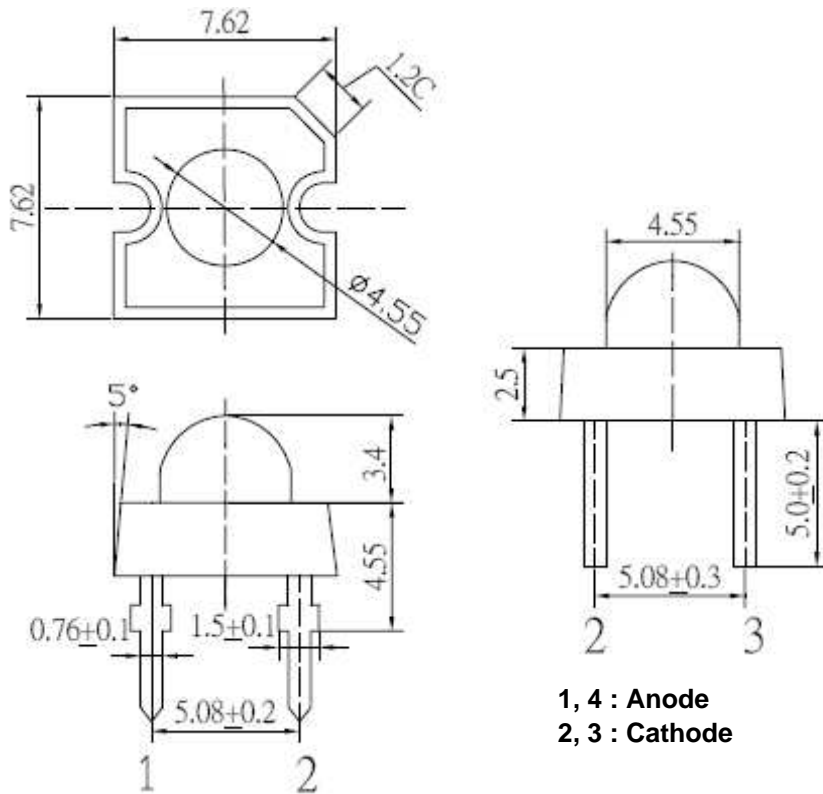




**Applications**

- Electronic Signs and Signals
- Small Area Illuminations
  - Back Lighting
  - Other Lighting

**Technical Drawing**



**Notes :**

All dimensions in mm tolerance is  $\pm 0.1$ mm unless otherwise noted.

|                            |                 |
|----------------------------|-----------------|
| <b>Super Flux<br/>Blue</b> |                 |
| Part No.:                  | <b>M13G4004</b> |
| Customer:                  |                 |

|       |      |      |       |        |      |       |            |
|-------|------|------|-------|--------|------|-------|------------|
| DRW:  | Dong | CHKD | Chang | MATL:  | Chui | DATE  | 18.11.2010 |
| APPD: | Ping |      |       | FINISH | Hui  | Sheet | 1 from 6   |



**Absolute Maximum Ratings**

| Item                   | Symbol     | ---        | Unit |
|------------------------|------------|------------|------|
| Power Dissipation      | $P_D$      | 180        | mW   |
| DC Forward Current     | $I_F$      | 50         | mA   |
| Pulsed Forward Current | $I_{FP}^*$ | 100        | mA   |
| Reverse Voltage        | $V_R$      | 5          | V    |
| Operating Temperature  | $T_{OP}$   | -30 to 85  | °C   |
| Storage Temperature    | $T_{ST}$   | -40 to 100 | °C   |

\* 0.1 msec pulse, 10% duty cycle

**Electrcal / Optical Characteristics**

| Ermitting Color      | Blue            |           |         |
|----------------------|-----------------|-----------|---------|
| Material             | ---             |           |         |
| Forward Voltage      | typ.            | 3.1       | $V_F$   |
|                      | max.            | 3.6       | $V_F$   |
| Wavelength<br>typ.   | $\lambda_D$     | 465 ~ 475 | nm      |
|                      | $\lambda_P$     | ---       | nm      |
|                      | $\Delta\lambda$ | ---       | nm      |
| Color Temperature    | min.            | ---       | K       |
|                      | max.            | ---       | K       |
| Luminous Intensity * | min.            | 5800      | mcd     |
|                      | typ.            | 7000      | mcd     |
| Reverse Current      | max.            | ---       | $\mu A$ |
| Viewing Angle        | 2 $\theta$ 1/2  | 30        |         |

\* Per NIST standards

**Super Flux  
Blue**

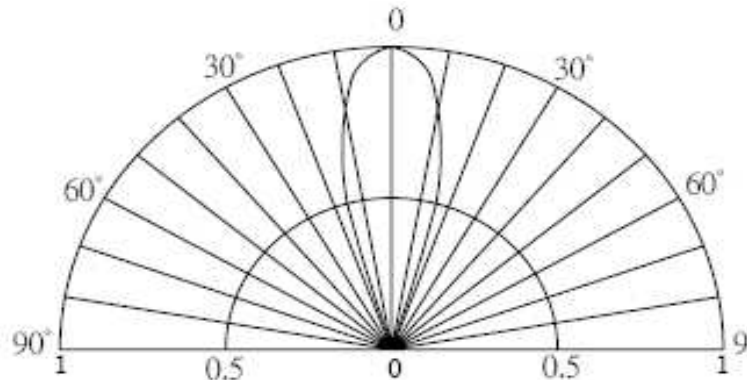
Part No.: **M13G4004**

Customer:

|       |      |      |       |        |      |       |            |
|-------|------|------|-------|--------|------|-------|------------|
| DRW:  | Dong | CHKD | Chang | MATL:  | Chui | DATE  | 22.10.2010 |
| APPD: | Ping |      |       | FINISH | Hui  | Sheet | 2 from 6   |



**Directive Characteristics**



**Super Flux  
Blue**

Part No.: **M13G4004**

Customer:

|       |      |      |       |        |      |       |            |
|-------|------|------|-------|--------|------|-------|------------|
| DRW:  | Dong | CHKD | Chang | MATL:  | Chui | DATE  | 18.11.2010 |
| APPD: | Ping |      |       | FINISH | Hui  | Sheet | 3 from 6   |



**Typical Characteristics**



|                            |                 |
|----------------------------|-----------------|
| <b>Super Flux<br/>Blue</b> |                 |
| Part No.:                  | <b>M13G4004</b> |
| Customer:                  |                 |

|       |      |      |       |        |      |       |            |
|-------|------|------|-------|--------|------|-------|------------|
| DRW:  | Dong | CHKD | Chang | MATL:  | Chui | DATE  | 18.11.2010 |
| APPD: | Ping |      |       | FINISH | Hui  | Sheet | 4 from 6   |



**Solder Condition**

**Lead Free Solder**

**Classification Reflow Profile (JEDEC J-STD-020C)**



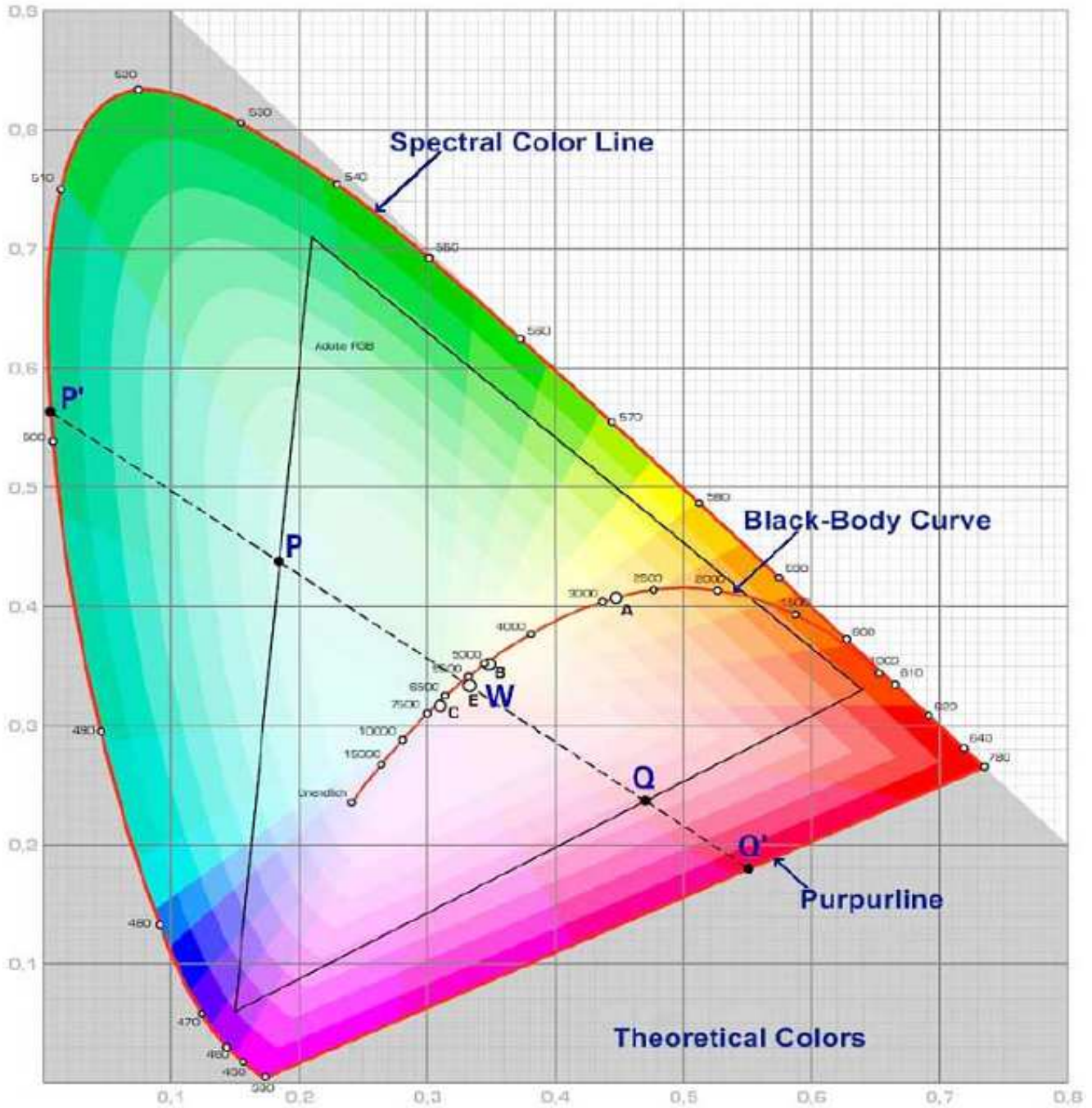
|                            |                 |
|----------------------------|-----------------|
| <b>Super Flux<br/>Blue</b> |                 |
| Part No.:                  | <b>M13G4004</b> |
| Customer:                  |                 |

|       |      |      |       |        |      |       |            |
|-------|------|------|-------|--------|------|-------|------------|
| DRW:  | Dong | CHKD | Chang | MATL:  | Chui | DATE  | 18.11.2010 |
| APPD: | Ping |      |       | FINISH | Hui  | Sheet | 5 from 6   |





**Color table curve**



|                            |                 |
|----------------------------|-----------------|
| <b>Super Flux<br/>Blue</b> |                 |
| Part No.:                  | <b>M13G4004</b> |
| Customer:                  |                 |

|       |      |      |       |        |      |       |            |
|-------|------|------|-------|--------|------|-------|------------|
| DRW:  | Dong | CHKD | Chang | MATL:  | Chui | DATE  | 18.11.2010 |
| APPD: | Ping |      |       | FINISH | Hui  | Sheet | 6 from 6   |