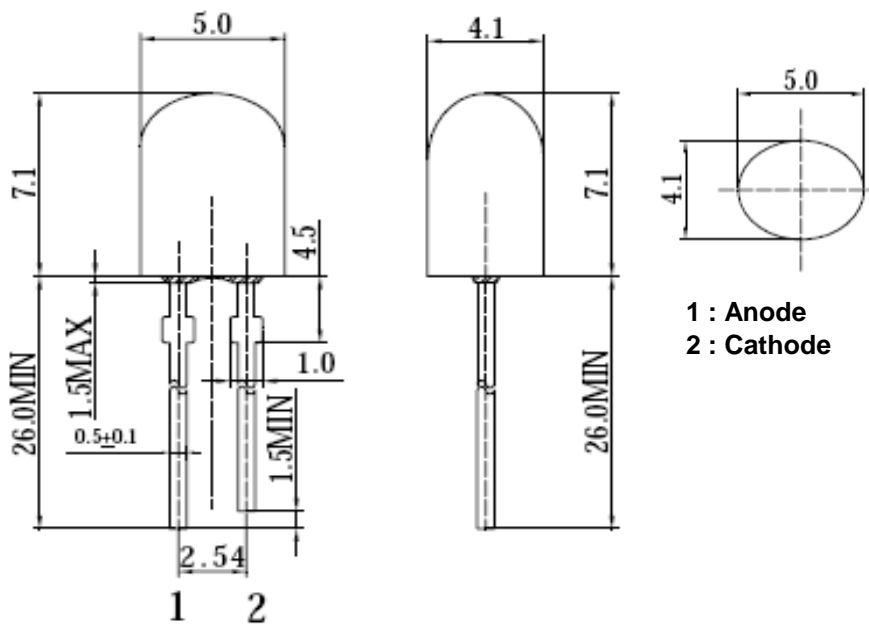




Applications

- Electronic Signs and Signals
- Small Area Illuminations
- Back Lighting
- Other Lighting

Technical Drawing



Notes :

All dimensions in mm tolerance is $\pm 0.1\text{mm}$ unless otherwise noted.

Oval LED Violet	
Part No.:	M13G3009
Customer:	

DRW:	Dong	CHKD	Chang	MATL:	Chui	DATE	01.07.2010
APPD:	Ping			FINISH	Hui	Sheet	1 from 6



Absolute Maximum Ratings

<i>Item</i>	<i>Symbol</i>	<i>---</i>	<i>Unit</i>
Power Dissipation	P _D	108	mW
DC Forward Current	I _F	30	mA
Pulsed Forward Current	I _{FP} *	100	mA
Reverse Voltage	V _R	5	V
Operating Temperature	T _{OP}	-30 to 85	°C
Storage Temperature	T _{ST}	-40 to 100	°C

* 0.1 msec pulse, 10% duty cycle

Electrcal / Optical Characteristics

Ermittig Color	Violet		
Material	---		
Forward Voltage	typ.	3.1	V _F
	max.	3.6	V _F
Wavelength typ.	λ _D	400	nm
	λ _P	405	nm
	Δλ	---	nm
Color Temperature	min.	---	K
	max.	---	K
Luminous Intensity *	min.	150	mcd
	typ.	250	mcd
Reverse Current	max.	10	μA
Viewing Angle	2Θ _{1/2}	70 / 40	

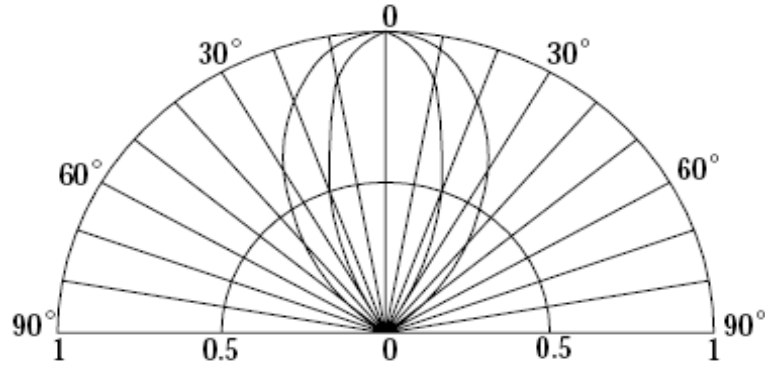
* Per NIST standards

Oval LED Violet	
Part No.:	M13G3009
Customer:	

DRW:	Dong	CHKD	Chang	MATL:	Chui	DATE	01.07.2010
APPD:	Ping			FINISH	Hui	Sheet	2 from 6



Directive Characteristics



Oval LED
Violet

Part No.: **M13G3009**

Customer:

DRW:	Dong	CHKD	Chang	MATL:	Chui	DATE	01.07.2010
APPD:	Ping			FINISH	Hui	Sheet	3 from 6



Typical Characteristics



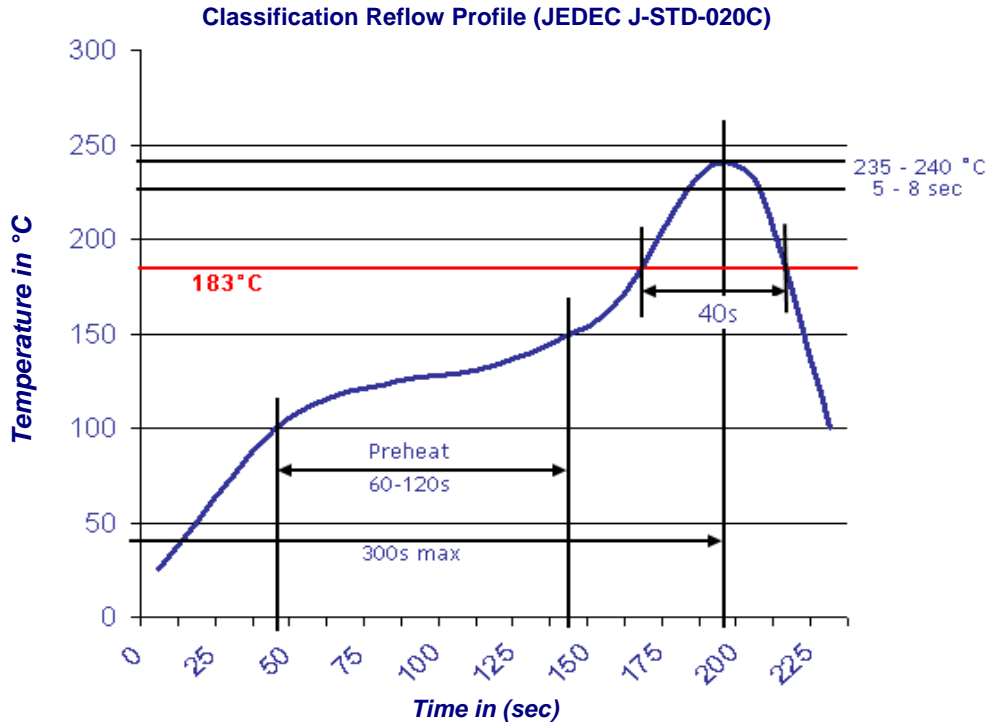
Oval LED Violet	
Part No.:	M13G3009
Customer:	

DRW:	Dong	CHKD	Chang	MATL:	Chui	DATE	01.07.2010
APPD:	Ping			FINISH	Hui	Sheet	4 from 6



Solder Condition

Lead Free Solder

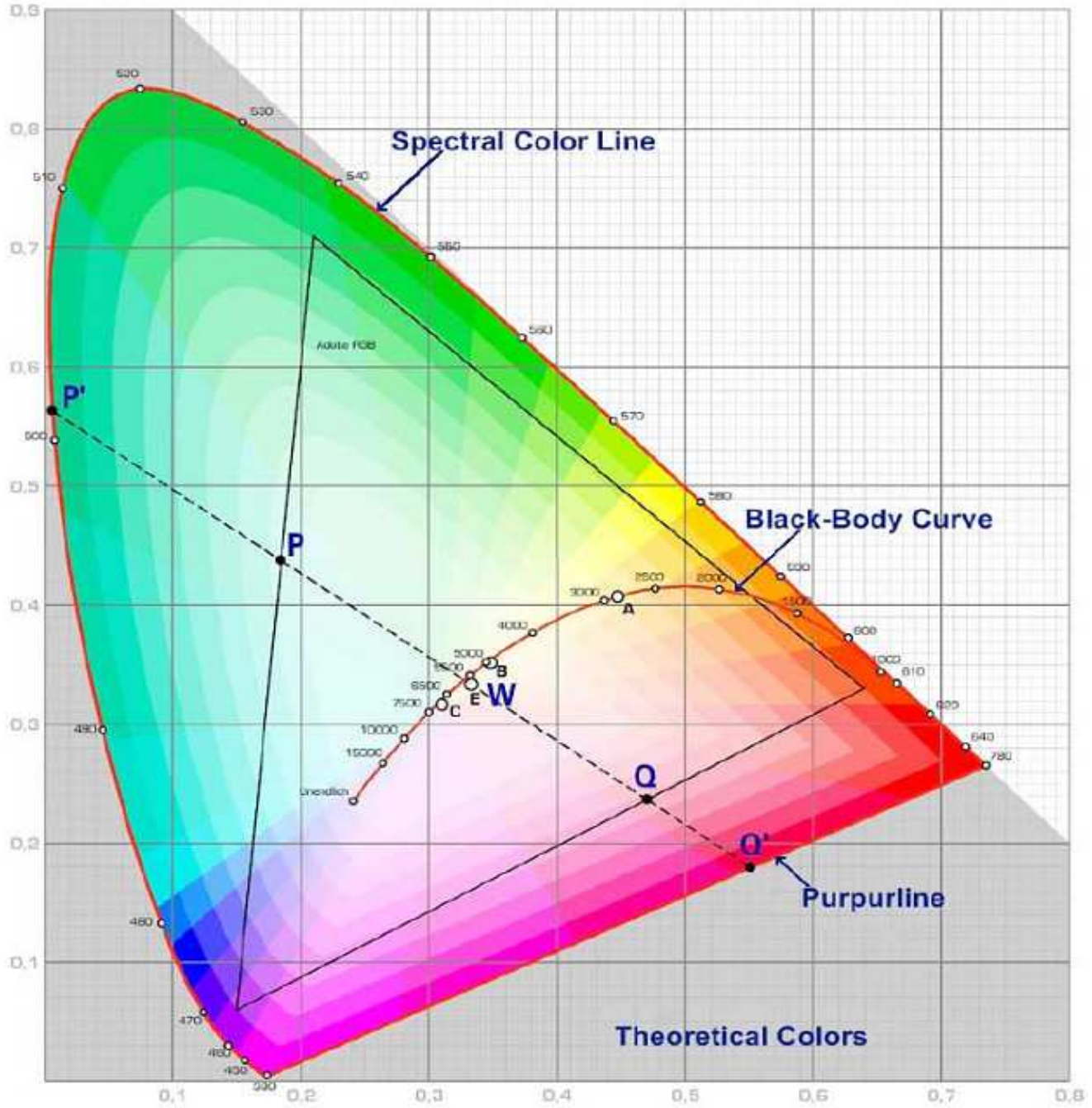


Oval LED Violet	
Part No.:	M13G3009
Customer:	

DRW:	Dong	CHKD	Chang	MATL:	Chui	DATE	01.07.2010
APPD:	Ping			FINISH	Hui	Sheet	5 from 6



Color table curve



Oval LED Violet	
Part No.:	M13G3009
Customer:	

DRW:	Dong	CHKD	Chang	MATL:	Chui	DATE	01.07.2010
APPD:	Ping			FINISH	Hui	Sheet	6 from 6

Copyright by EDCON-COMPONENTS