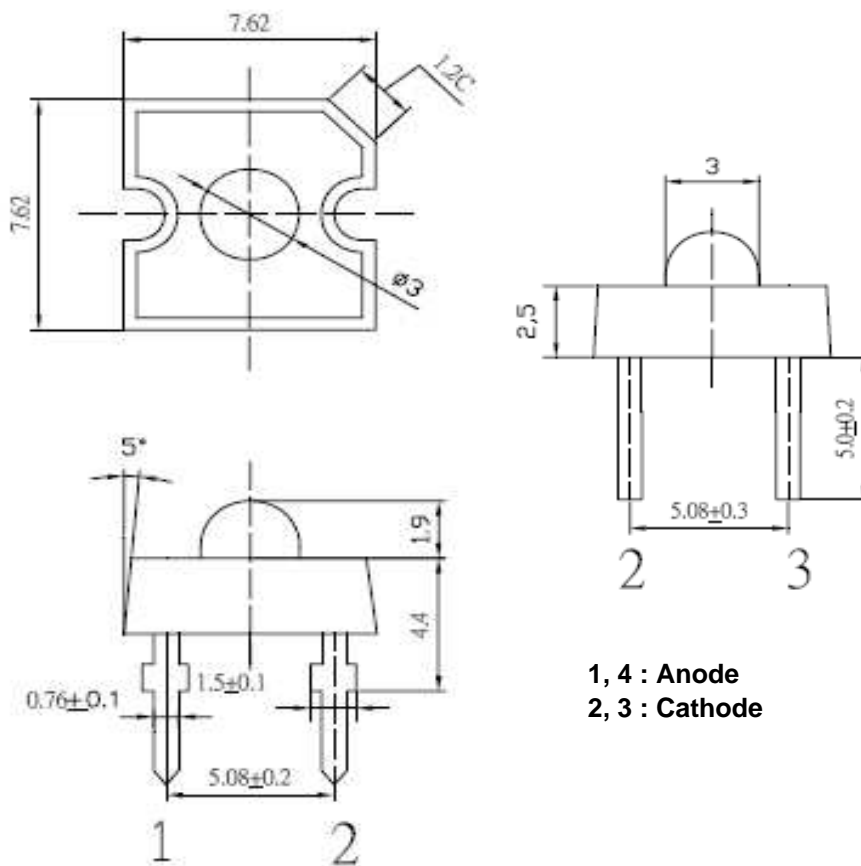




**Applications**

- Electronic Signs and Signals
- Small Area Illuminations
  - Back Lighting
  - Other Lighting

**Technical Drawing**



1, 4 : Anode  
 2, 3 : Cathode

**Notes :**

All dimensions in mm tolerance is  $\pm 0.1$ mm unless otherwise noted.

<b>Super Flux Red</b>	
Part No.:	<b>M13G1014</b>
Customer:	

DRW:	Dong	CHKD	Chang	MATL:	Chui	DATE	18.11.2010
APPD:	Ping			FINISH	Hui	Sheet	1 from 6



**Absolute Maximum Ratings**

Item	Symbol	---	Unit
Power Dissipation	P <sub>D</sub>	130	mW
DC Forward Current	I <sub>F</sub>	50	mA
Pulsed Forward Current	I <sub>FP</sub> *	120	mA
Reverse Voltage	V <sub>R</sub>	5	V
Operating Temperature	T <sub>OP</sub>	-30 to 85	°C
Storage Temperature	T <sub>ST</sub>	-40 to 100	°C

\* 0.1 msec pulse, 10% duty cycle

**Electrcal / Optical Characteristics**

Ermitting Color	Red		
Material	---		
Forward Voltage	typ.	2.1	V <sub>F</sub>
	max.	2.6	V <sub>F</sub>
Wavelength typ.	λ <sub>D</sub>	620 ~ 630	nm
	λ <sub>P</sub>	---	nm
	Δλ	---	nm
Color Temperature	min.	---	K
	max.	---	K
Luminous Intensity *	min.	22000	mcd
	typ.	25000	mcd
Reverse Current	max.	---	μA
Viewing Angle	2Θ1/2	15	

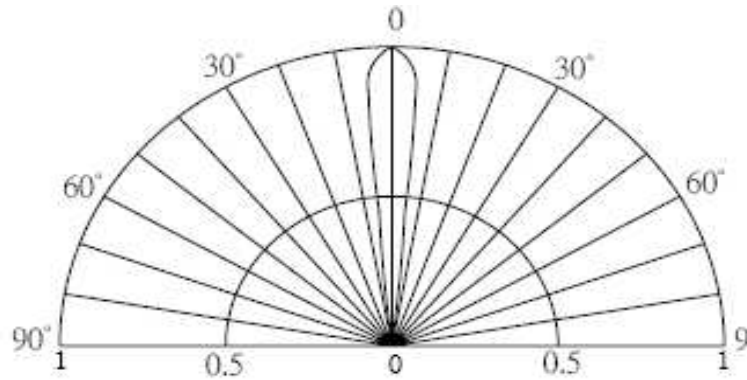
\* Per NIST standards

<b>Super Flux Red</b>	
Part No.:	<b>M13G1014</b>
Customer:	

DRW:	Dong	CHKD	Chang	MATL:	Chui	DATE	22.10.2010
APPD:	Ping			FINISH	Hui	Sheet	2 from 6



**Directive Characteristics**



**Super Flux  
Red**

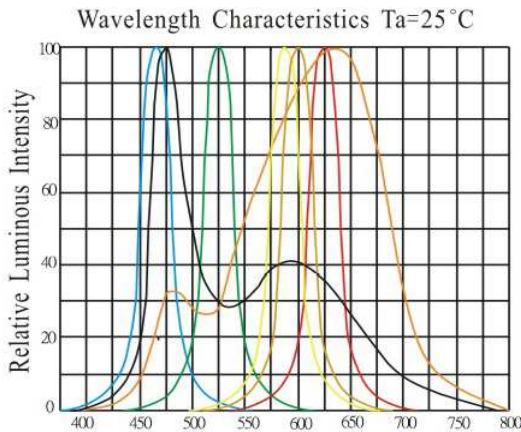
Part No.: **M13G1014**

Customer:

DRW:	Dong	CHKD	Chang	MATL:	Chui	DATE	18.11.2010
APPD:	Ping			FINISH	Hui	Sheet	3 from 6



**Typical Characteristics**



<b>Super Flux Red</b>	
Part No.:	<b>M13G1014</b>
Customer:	

DRW:	Dong	CHKD	Chang	MATL:	Chui	DATE	18.11.2010
APPD:	Ping			FINISH	Hui	Sheet	4 from 6



**Solder Condition**

**Lead Free Solder**

**Classification Reflow Profile (JEDEC J-STD-020C)**



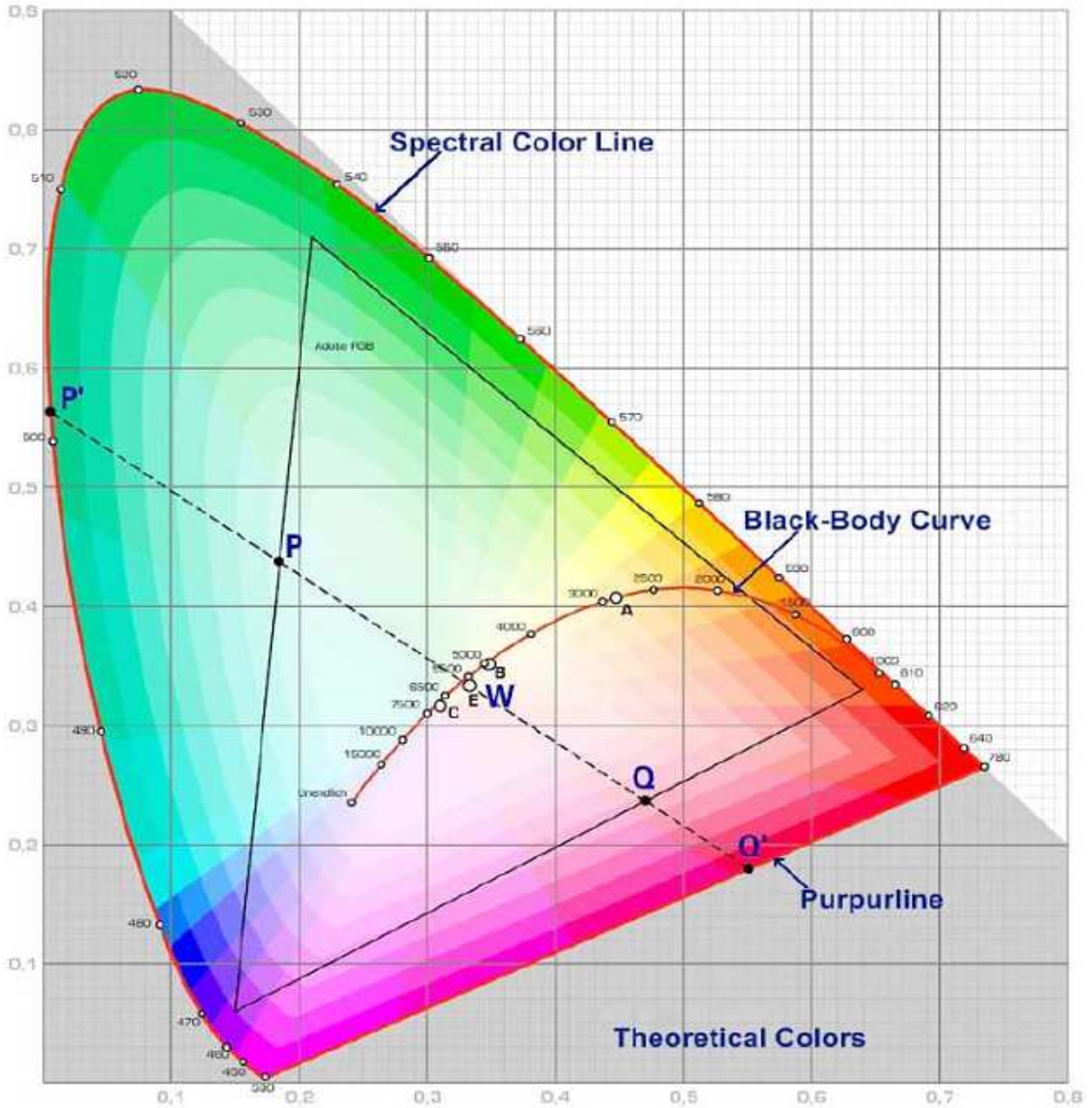
<b>Super Flux Red</b>	
Part No.:	<b>M13G1014</b>
Customer:	

DRW:	Dong	CHKD	Chang	MATL:	Chui	DATE	18.11.2010
APPD:	Ping			FINISH	Hui	Sheet	5 from 6





**Color table curve**



<b>Super Flux Red</b>	
Part No.:	<b>M13G1014</b>
Customer:	

DRW:	Dong	CHKD	Chang	MATL:	Chui	DATE	18.11.2010
APPD:	Ping			FINISH	Hui	Sheet	6 from 6