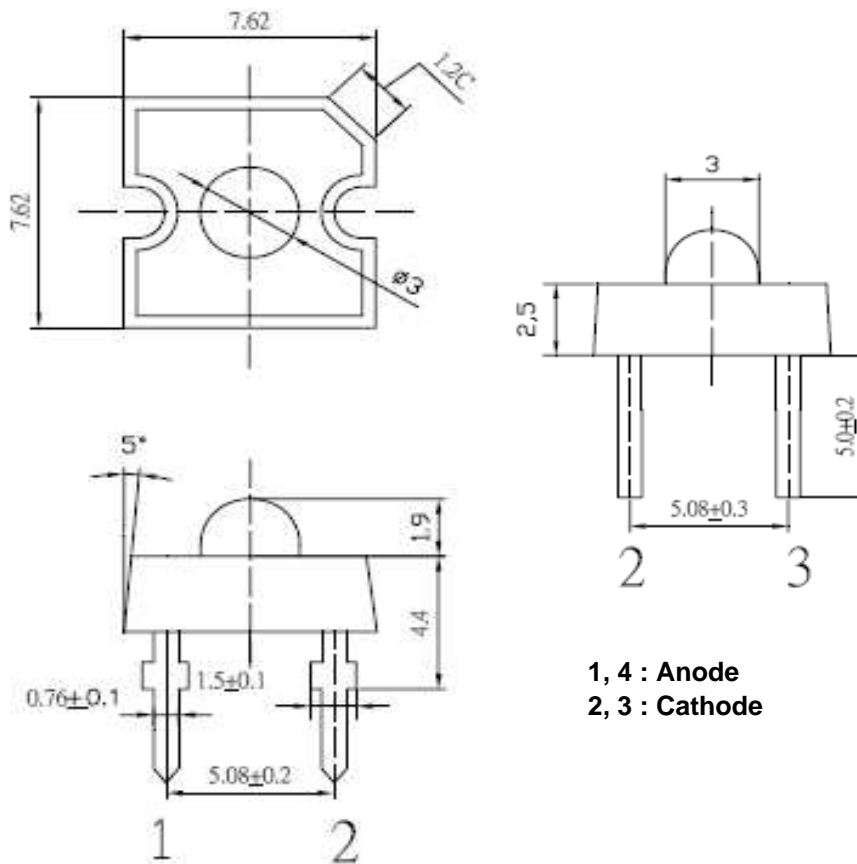




**Applications**

- Electronic Signs and Signals
- Small Area Illuminations
  - Back Lighting
  - Other Lighting

**Technical Drawing**



1, 4 : Anode  
2, 3 : Cathode

**Notes :**

All dimensions in mm tolerance is  $\pm 0.1$ mm unless otherwise noted.

|                              |                 |
|------------------------------|-----------------|
| <b>Super Flux<br/>Orange</b> |                 |
| Part No.:                    | <b>M13G1008</b> |
| Customer:                    |                 |

|       |      |      |       |        |      |       |            |
|-------|------|------|-------|--------|------|-------|------------|
| DRW:  | Dong | CHKD | Chang | MATL:  | Chui | DATE  | 22.10.2010 |
| APPD: | Ping |      |       | FINISH | Hui  | Sheet | 1 from 6   |



**Absolute Maximum Ratings**

| Item                   | Symbol            | ---        | Unit |
|------------------------|-------------------|------------|------|
| Power Dissipation      | P <sub>D</sub>    | 130        | mW   |
| DC Forward Current     | I <sub>F</sub>    | 50         | mA   |
| Pulsed Forward Current | I <sub>FP</sub> * | 100        | mA   |
| Reverse Voltage        | V <sub>R</sub>    | 5          | V    |
| Operating Temperature  | T <sub>OP</sub>   | -30 to 85  | °C   |
| Storage Temperature    | T <sub>ST</sub>   | -40 to 100 | °C   |

\* 0.1 msec pulse, 10% duty cycle

**Electrcal / Optical Characteristics**

| Ermitting Color      | Orange         |           |                |
|----------------------|----------------|-----------|----------------|
| Material             | ---            |           |                |
| Forward Voltage      | typ.           | 2.1       | V <sub>F</sub> |
|                      | max.           | 2.6       | V <sub>F</sub> |
| Wavelength<br>typ.   | λ <sub>D</sub> | 600 ~ 605 | nm             |
|                      | λ <sub>P</sub> | ---       | nm             |
|                      | Δλ             | ---       | nm             |
| Color Temperature    | min.           | ---       | K              |
|                      | max.           | ---       | K              |
| Luminous Intensity * | min.           | 7000      | mcd            |
|                      | typ.           | 8400      | mcd            |
| Reverse Current      | max.           | 10        | μA             |
| Viewing Angle        | 2θ1/2          | 60        |                |

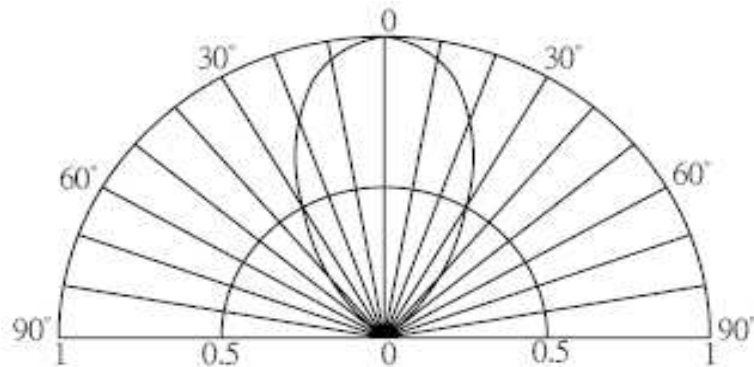
\* Per NIST standards

|                              |                 |
|------------------------------|-----------------|
| <b>Super Flux<br/>Orange</b> |                 |
| Part No.:                    | <b>M13G1001</b> |
| Customer:                    |                 |

|       |      |      |       |        |      |       |            |
|-------|------|------|-------|--------|------|-------|------------|
| DRW:  | Dong | CHKD | Chang | MATL:  | Chui | DATE  | 22.10.2010 |
| APPD: | Ping |      |       | FINISH | Hui  | Sheet | 2 from 6   |



**Directive Characteristics**

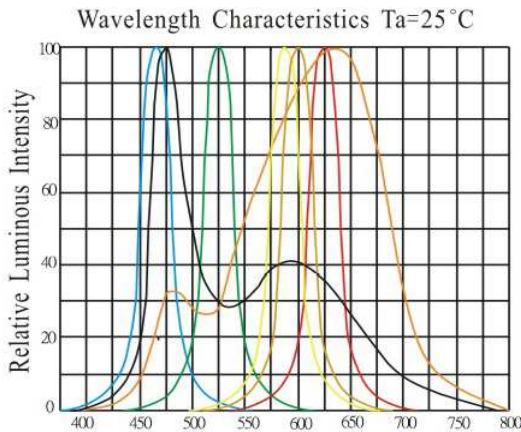


|                              |                 |
|------------------------------|-----------------|
| <b>Super Flux<br/>Orange</b> |                 |
| Part No.:                    | <b>M13G1008</b> |
| Customer:                    |                 |

|       |      |      |       |        |      |       |            |
|-------|------|------|-------|--------|------|-------|------------|
| DRW:  | Dong | CHKD | Chang | MATL:  | Chui | DATE  | 22.10.2010 |
| APPD: | Ping |      |       | FINISH | Hui  | Sheet | 3 from 6   |



**Typical Characteristics**



|                          |                 |
|--------------------------|-----------------|
| <b>Super Flux Orange</b> |                 |
| Part No.:                | <b>M13G1008</b> |
| Customer:                |                 |

|       |      |      |       |        |      |       |            |
|-------|------|------|-------|--------|------|-------|------------|
| DRW:  | Dong | CHKD | Chang | MATL:  | Chui | DATE  | 22.10.2010 |
| APPD: | Ping |      |       | FINISH | Hui  | Sheet | 4 from 6   |



**Solder Condition**

**Lead Free Solder**

**Classification Reflow Profile (JEDEC J-STD-020C)**

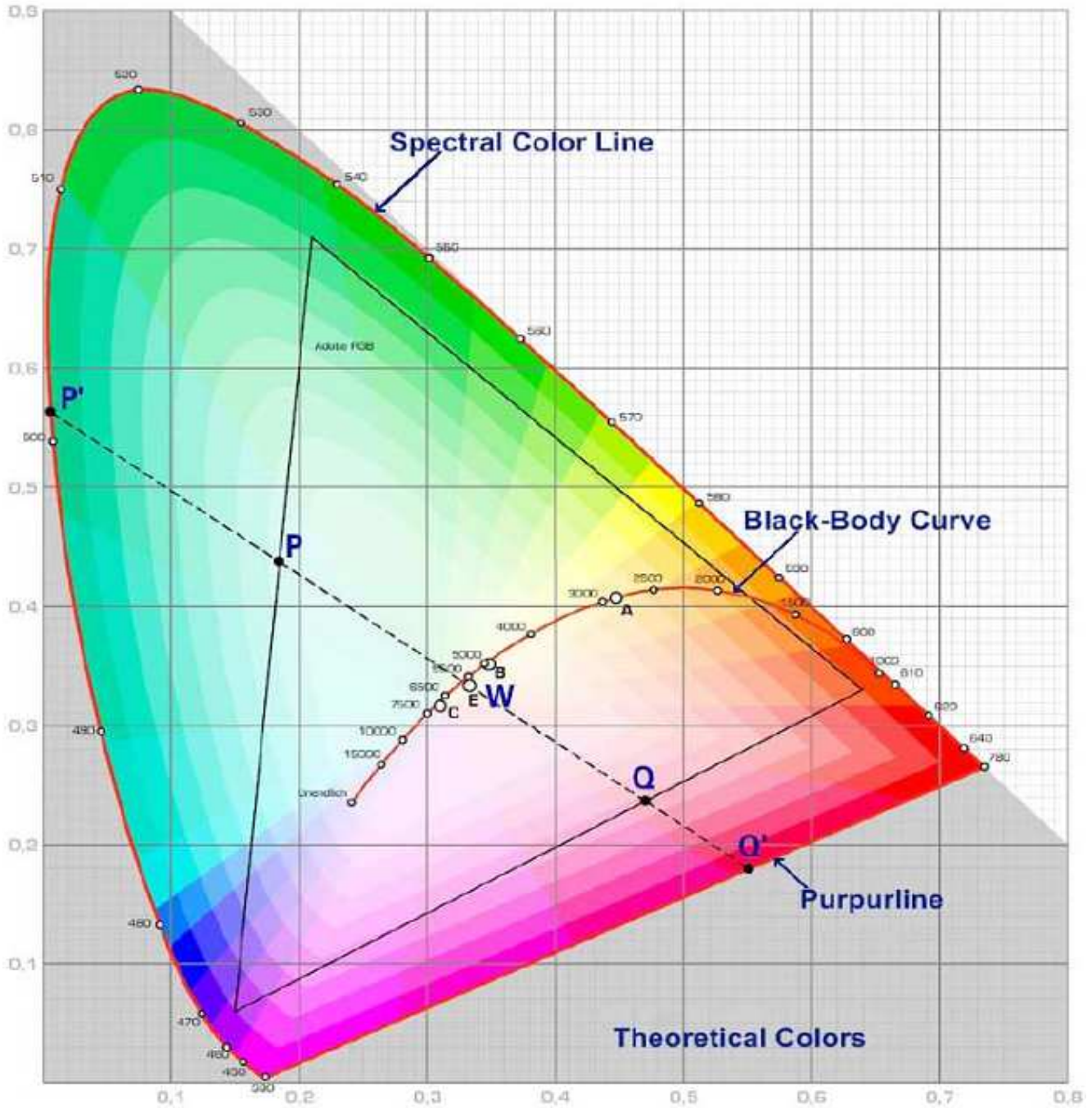


|                              |                 |
|------------------------------|-----------------|
| <b>Super Flux<br/>Orange</b> |                 |
| Part No.:                    | <b>M13G1008</b> |
| Customer:                    |                 |

|       |      |      |       |        |      |       |            |
|-------|------|------|-------|--------|------|-------|------------|
| DRW:  | Dong | CHKD | Chang | MATL:  | Chui | DATE  | 22.10.2010 |
| APPD: | Ping |      |       | FINISH | Hui  | Sheet | 5 from 6   |



**Color table curve**



|                          |                 |
|--------------------------|-----------------|
| <b>Super Flux Orange</b> |                 |
| Part No.:                | <b>M13G1008</b> |
| Customer:                |                 |

|       |      |      |       |        |      |       |            |
|-------|------|------|-------|--------|------|-------|------------|
| DRW:  | Dong | CHKD | Chang | MATL:  | Chui | DATE  | 22.10.2010 |
| APPD: | Ping |      |       | FINISH | Hui  | Sheet | 6 from 6   |