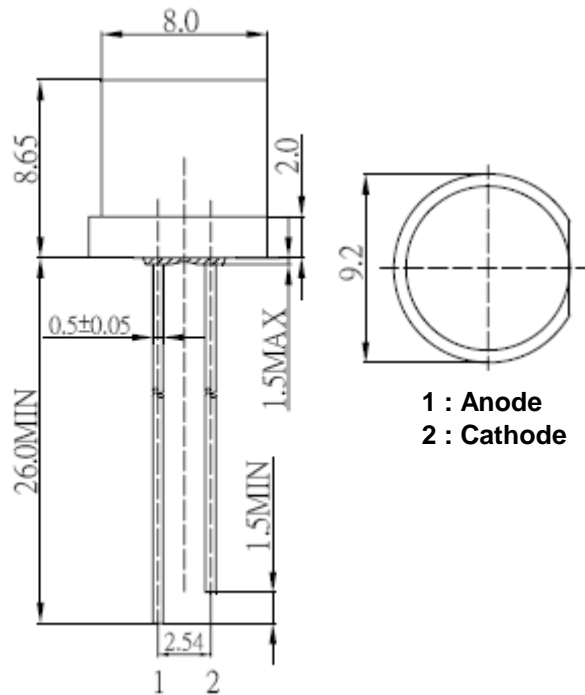




Applications

- Electronic Signs and Signals
- Small Area Illuminations
- Back Lighting
- Other Lighting

Technical Drawing



Notes :

All dimensions in mm tolerance is $\pm 0.1\text{mm}$ unless otherwise noted.

| | |
|----------------------------|-----------------|
| Round LED Green | |
| Part No.: | M13F2002 |
| Customer: | |

| | | | | | | | |
|-------|------|------|-------|--------|------|-------|------------|
| DRW: | Dong | CHKD | Chang | MATL: | Chui | DATE | 18.10.2010 |
| APPD: | Ping | | | FINISH | Hui | Sheet | 1 from 6 |



Absolute Maximum Ratings

| <i>Item</i> | <i>Symbol</i> | <i>---</i> | <i>Unit</i> |
|------------------------|-------------------|------------|-------------|
| Power Dissipation | P _D | 108 | mW |
| DC Forward Current | I _F | 30 | mA |
| Plused Forward Current | I _{FP} * | 100 | mA |
| Reverse Voltage | V _R | 5 | V |
| Operating Temperature | T _{OP} | -30 to 85 | °C |
| Storage Temperature | T _{ST} | -40 to 100 | °C |

* 0.1 msec pulse, 10% duty cycle

Electrcal / Optical Characteristics

| Ermittig Color | Green | | |
|-----------------------------|-------------------|-----------|----------------|
| Material | --- | | |
| Forward Voltage | typ. | 3.1 | V _F |
| | max. | 3.6 | V _F |
| Wavelength typ. | λ _D | 520 ~ 530 | nm |
| | λ _P | --- | nm |
| | Δλ | --- | nm |
| Color Temperature | min. | --- | K |
| | max. | --- | K |
| Luminous Intensity * | min. | 2180 | mcd |
| | typ. | 3000 | mcd |
| Reverse Current | max. | 10 | μA |
| Viewing Angle | 2Θ _{1/2} | 30 | |

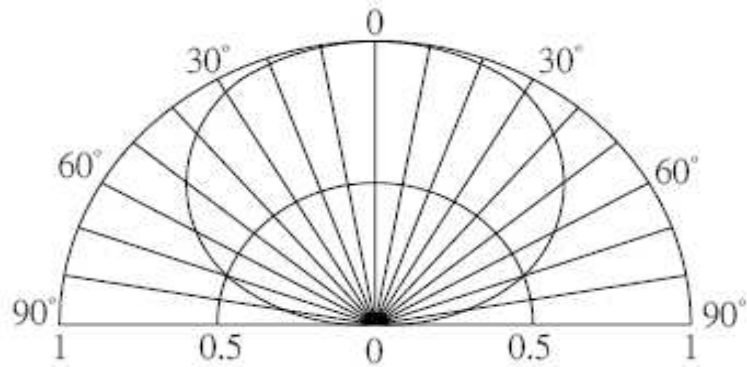
* Per NIST standards

| | |
|----------------------------------|-----------------|
| Round LED Green | |
| Part No.: | M13F2002 |
| Customer: | |

| | | | | | | | |
|-------|------|------|-------|--------|------|-------|------------|
| DRW: | Dong | CHKD | Chang | MATL: | Chui | DATE | 18.10.2010 |
| APPD: | Ping | | | FINISH | Hui | Sheet | 2 from 6 |



Directive Characteristics



**Round LED
Green**

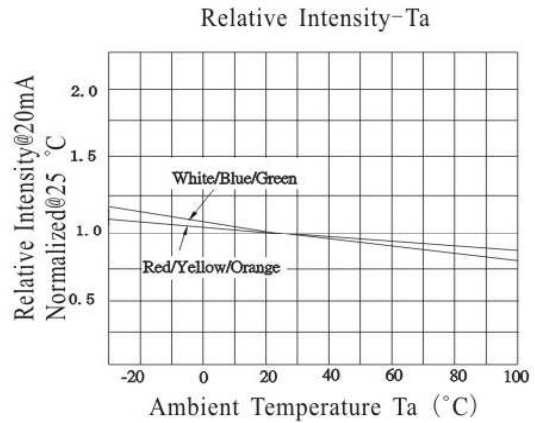
Part No.: **M13F2002**

Customer:

| | | | | | | | |
|-------|------|------|-------|--------|------|-------|------------|
| DRW: | Dong | CHKD | Chang | MATL: | Chui | DATE | 18.10.2010 |
| APPD: | Ping | | | FINISH | Hui | Sheet | 3 from 6 |



Typical Characteristics



| | |
|----------------------------|-----------------|
| Round LED Green | |
| Part No.: | M13F2002 |
| Customer: | |

| | | | | | | | |
|-------|------|------|-------|--------|------|-------|------------|
| DRW: | Dong | CHKD | Chang | MATL: | Chui | DATE | 18.10.2010 |
| APPD: | Ping | | | FINISH | Hui | Sheet | 4 from 6 |



Solder Condition

Lead Free Solder

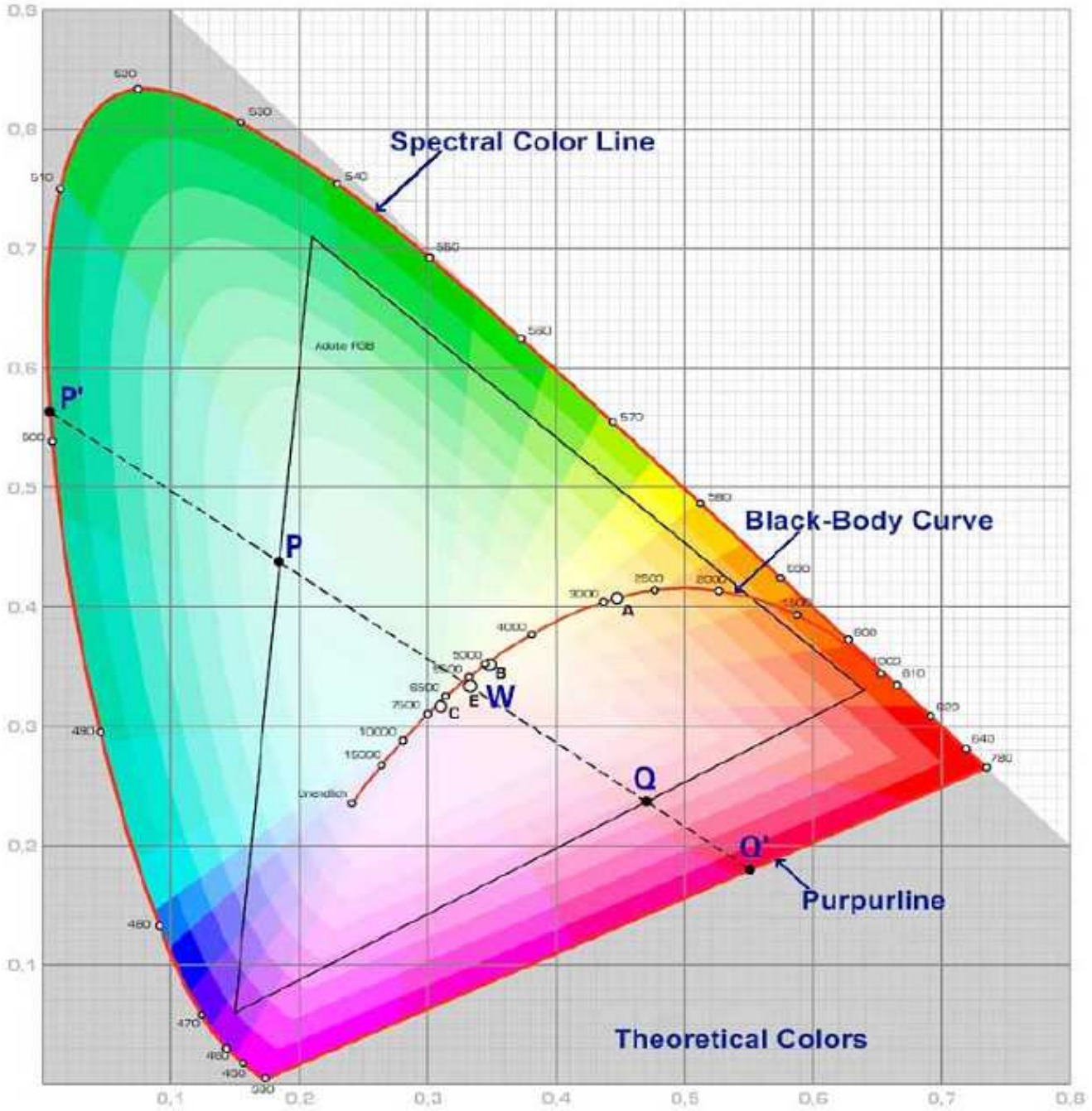


| | |
|----------------------------|-----------------|
| Round LED Green | |
| Part No.: | M13F2002 |
| Customer: | |

| | | | | | | | |
|-------|------|------|-------|--------|------|-------|------------|
| DRW: | Dong | CHKD | Chang | MATL: | Chui | DATE | 18.10.2010 |
| APPD: | Ping | | | FINISH | Hui | Sheet | 5 from 6 |



Color table curve



| | |
|----------------------------|-----------------|
| Round LED Green | |
| Part No.: | M13F2002 |
| Customer: | |

| | | | | | | | |
|-------|------|------|-------|--------|------|-------|------------|
| DRW: | Dong | CHKD | Chang | MATL: | Chui | DATE | 18.10.2010 |
| APPD: | Ping | | | FINISH | Hui | Sheet | 6 from 6 |