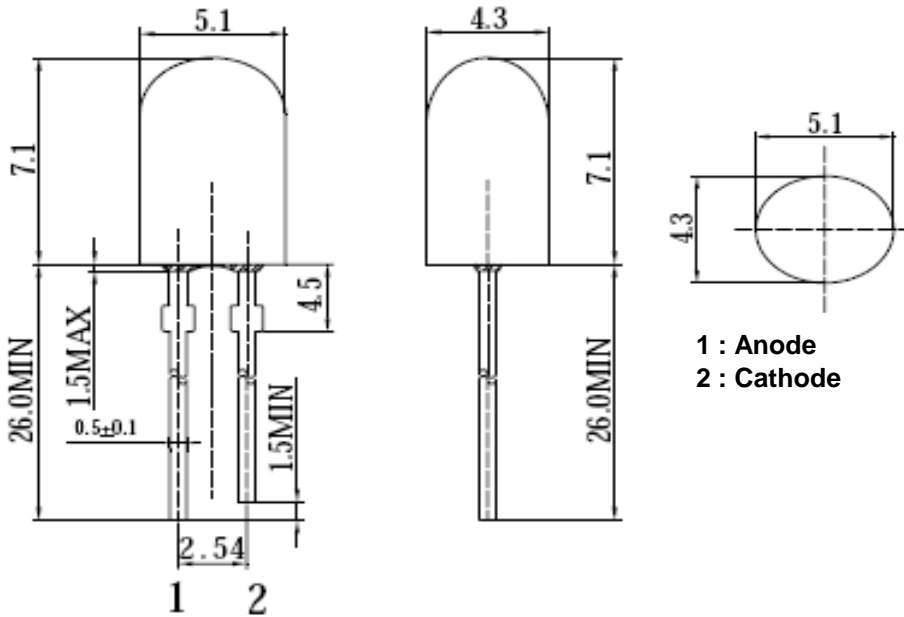




Applications

- Electronic Signs and Signals
- Small Area Illuminations
 - Back Lighting
 - Other Lighting

Technical Drawing



1 : Anode
 2 : Cathode

Notes :

All dimensions in mm tolerance is $\pm 0.1\text{mm}$ unless otherwise noted.

| | |
|----------------------------------|-----------------|
| Oval LED Violet | |
| Part No.: | M13A7015 |
| Customer: | |

| | | | | | | | |
|-------|------|------|-------|--------|------|-------|------------|
| DRW: | Dong | CHKD | Chang | MATL: | Chui | DATE | 18.10.2010 |
| APPD: | Ping | | | FINISH | Hui | Sheet | 1 from 6 |



Absolute Maximum Ratings

| Item | Symbol | --- | Unit |
|------------------------|------------|------------|------|
| Power Dissipation | P_D | 108 | mW |
| DC Forward Current | I_F | 30 | mA |
| Pulsed Forward Current | I_{FP}^* | 100 | mA |
| Reverse Voltage | V_R | 5 | V |
| Operating Temperature | T_{OP} | -30 to 85 | °C |
| Storage Temperature | T_{ST} | -40 to 100 | °C |

* 0.1 msec pulse, 10% duty cycle

Electrcal / Optical Characteristics

| Ermitting Color | Violet | | |
|----------------------|-----------------|-----------|---------|
| Material | --- | | |
| Forward Voltage | typ. | 3.1 | V_F |
| | max. | 3.6 | V_F |
| Wavelength typ. | λ_D | 400 ~ 410 | nm |
| | λ_P | --- | nm |
| | $\Delta\lambda$ | --- | nm |
| Color Temperature | min. | --- | K |
| | max. | --- | K |
| Luminous Intensity * | min. | 220 | mcd |
| | typ. | 350 | mcd |
| Reverse Current | max. | 10 | μA |
| Viewing Angle | 2 Θ 1/2 | 100 / 40 | |

* Per NIST standards

**Oval LED
Violet**

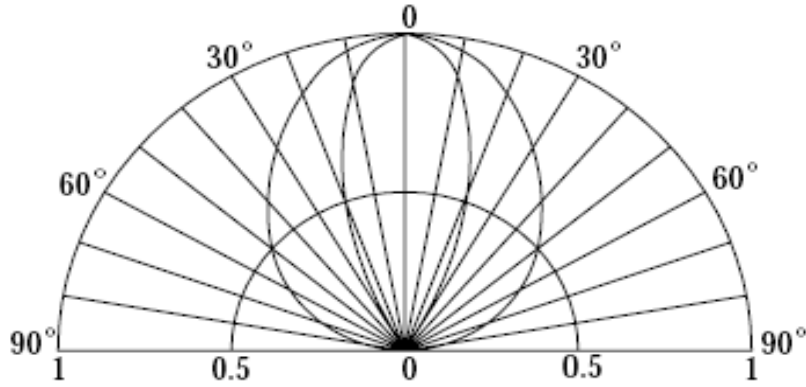
Part No.: **M13A7015**

Customer:

| | | | | | | | |
|-------|------|------|-------|--------|------|-------|------------|
| DRW: | Dong | CHKD | Chang | MATL: | Chui | DATE | 18.10.2010 |
| APPD: | Ping | | | FINISH | Hui | Sheet | 2 from 6 |



Directive Characteristics



Oval LED
Violet

Part No.: **M13A7015**

Customer:

| | | | | | | | |
|-------|------|------|-------|--------|------|-------|------------|
| DRW: | Dong | CHKD | Chang | MATL: | Chui | DATE | 18.10.2010 |
| APPD: | Ping | | | FINISH | Hui | Sheet | 3 from 6 |



Typical Characteristics



**Oval LED
Violet**

Part No.: **M13A7015**

Customer:

| | | | | | | | |
|-------|------|------|-------|--------|------|-------|------------|
| DRW: | Dong | CHKD | Chang | MATL: | Chui | DATE | 18.10.2010 |
| APPD: | Ping | | | FINISH | Hui | Sheet | 4 from 6 |



Solder Condition

Lead Free Solder



| | |
|----------------------------|-----------------|
| Oval LED Violet | |
| Part No.: | M13A7015 |
| Customer: | |

| | | | | | | | |
|-------|------|------|-------|--------|------|-------|------------|
| DRW: | Dong | CHKD | Chang | MATL: | Chui | DATE | 18.10.2010 |
| APPD: | Ping | | | FINISH | Hui | Sheet | 5 from 6 |



Color table curve



| | |
|----------------------------|-----------------|
| Oval LED Violet | |
| Part No.: | M13A7015 |
| Customer: | |

| | | | | | | | |
|-------|------|------|-------|--------|------|-------|------------|
| DRW: | Dong | CHKD | Chang | MATL: | Chui | DATE | 18.10.2010 |
| APPD: | Ping | | | FINISH | Hui | Sheet | 6 from 6 |

Copyright by EDCON-COMPONENTS