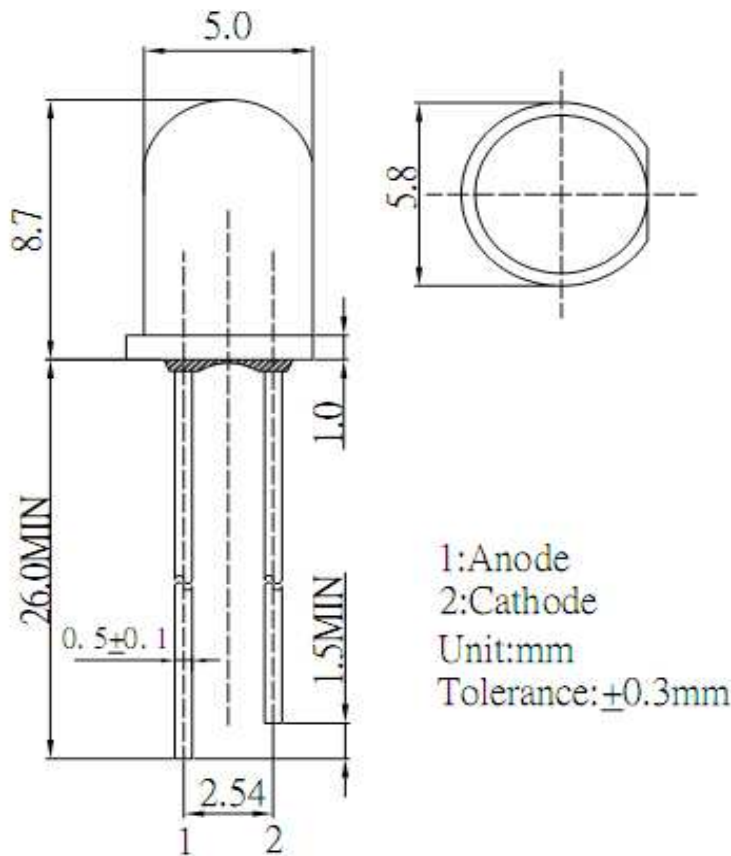




### Applications

- Interior automotive lighting(dashboard backlight etc...)
- Optical indicators
- High Tech Lightning
- Security Parts
- Automotive Products

### Package Dimensions



<b>Notes:</b>							<b>5mm LED</b>	<b>Color PREMIUM RED</b>
All dimensions in mm tolerance is $\pm 0.1$ mm unless otherwise noted.							Part No.:	<b>M13A3026</b>
							Customer:	
DRW:	Harry	CHKD	Dustin	MATL	Wilson	TOLERANCE	Mason	DATE 24.07.2009
APPD:	Jason			FINISH	John		Sheet No.	1 from 6



### Absolute Maximum Ratings (Ta = 25°C)

Item-Discription	Symbol	Value	Unit
DC Forward Current	If	50	mA
Pulse Forward Current	Ifp	120	mA
Reverse Voltage	Vr	5	V
Power Dissipation	Rd	120	mW
Operating Temperature	Topr	.-30 ~ +85	°C
Storage Temperature	Tstg	.-40 ~ +100	°C
Lead Soldering Temp.	Tsol	260°C/ 5sec.	--

### Typical Electrical & Optical Characteristics ( IF=20mA and Ta = 25°C)

Item	Symbol	Condition	Min.	Typ.	Max.	Unit
DC Forward Voltage	Vf	IF=20mA	1,8	2,1	2,4	V
DC Reverse Voltage	Ir	Vr=5V			10	µA
Domi. Wavelength	D	IF=20mA	619	624	629	nm
Luminious Intensity	Iv	IF=20mA	14400	18000		mcd
50% Power Angle	20 1/2	IF=20mA		15		deg
Color Temperature		IF=20mA				K
Chromaticity	X	IF=20mA				
Coordinates	Y	IF=20mA				

<b>Notes:</b>							5mm LED Color PREMIUM RED	Part No.: M13A3026	Customer:
1. Tolerance of measurement of luminous intensity						: ±15%			
2. Tolerance of measurement of chromatic coordinates						: ±1nm			
3. Tolerance of measurement of forward voltage						: ±0.1V			

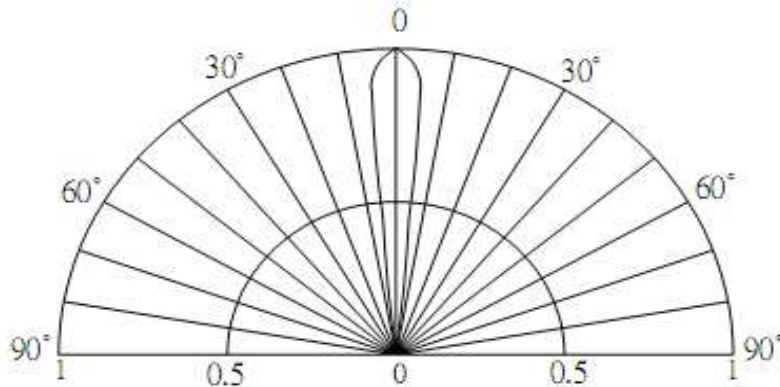
  

DRW:	Harry	CHKD	Dustin	MATL	Wilson	TOLERANCE	Mason	DATE 24.07.2009
APPD:	Jason			FINISH	John		Sheet No.	2 from 6



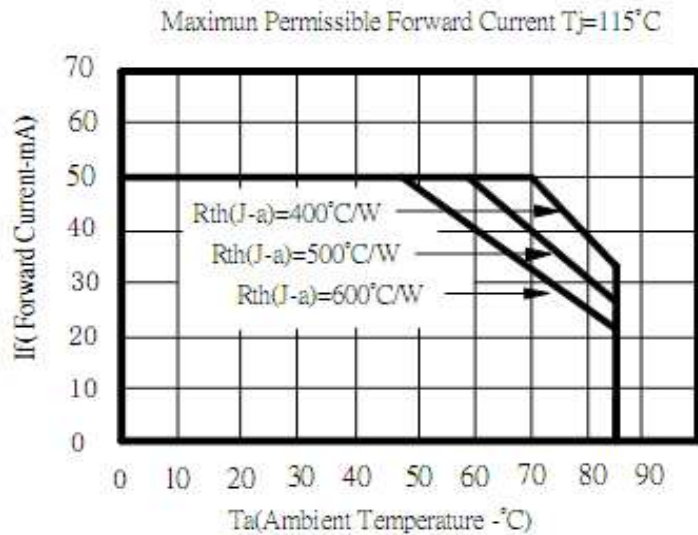
**Diagramm of LED**

**Directivity**



**Diagramm of LED**

**Maximum Forward Current**



<b>5mm LED</b>	<b>Color PREMIUM RED</b>
Part No.:	<b>M13A3026</b>
Customer:	

DRW:	Harry	CHKD	Dustin	MATL	Wilson	TOLERANCE	Mason	DATE 24.07.2009
APPD:	Jason			FINISH	John		Sheet No.	3 from 6

[www.edcon-components.com](http://www.edcon-components.com)

email: [info@edcon-components.com](mailto:info@edcon-components.com)

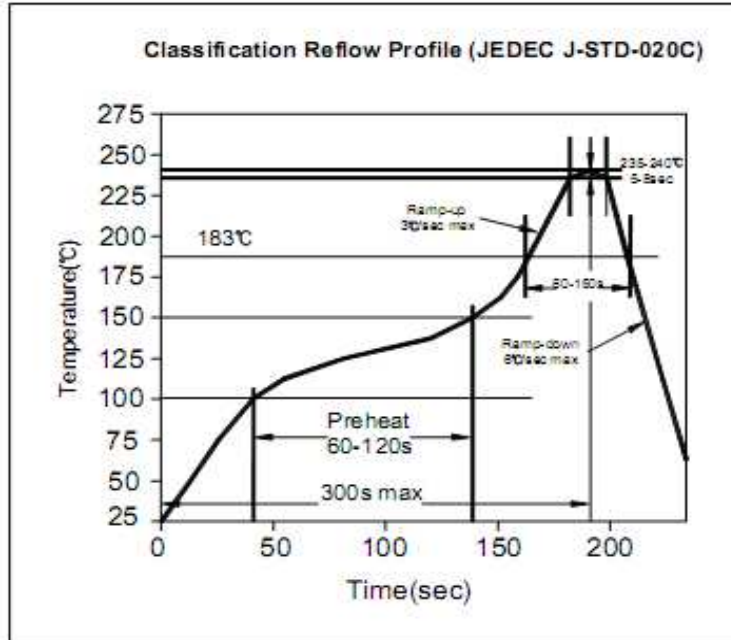
© by EDCON-COMPONENTS M.Hartmann



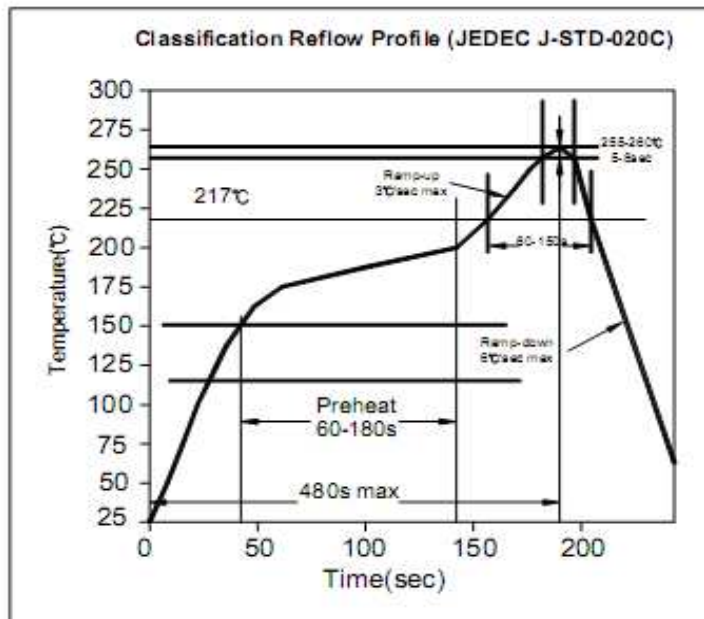


**Soldering condition**

**Lead solder**



**Lead free solder**



<b>5mm LED</b>	<b>Color PREMIUM RED</b>
Part No.:	<b>M13A3026</b>
Customer:	

DRW:	Harry	CHKD	Dustin	MATL	Wilson	TOLERANCE	Mason	DATE 24.07.2009
APPD:	Jason			FINISH	John		Sheet No.	4 from 6

[www.edcon-components.com](http://www.edcon-components.com)

email: [info@edcon-components.com](mailto:info@edcon-components.com)

© by EDCON-COMPONENTS M.Hartmann





**Packing Specification**

Antistatic Polybag



<b>5mm LED</b>	<b>Color PREMIUM RED</b>
Part No.:	<b>M13A3026</b>
Customer:	

DRW:	Harry	CHKD	Dustin	MATL	Wilson	TOLERANCE	Mason	DATE 24.07.2009
APPD:	Jason			FINISH	John		Sheet No.	5 from 6

[www.edcon-components.com](http://www.edcon-components.com)

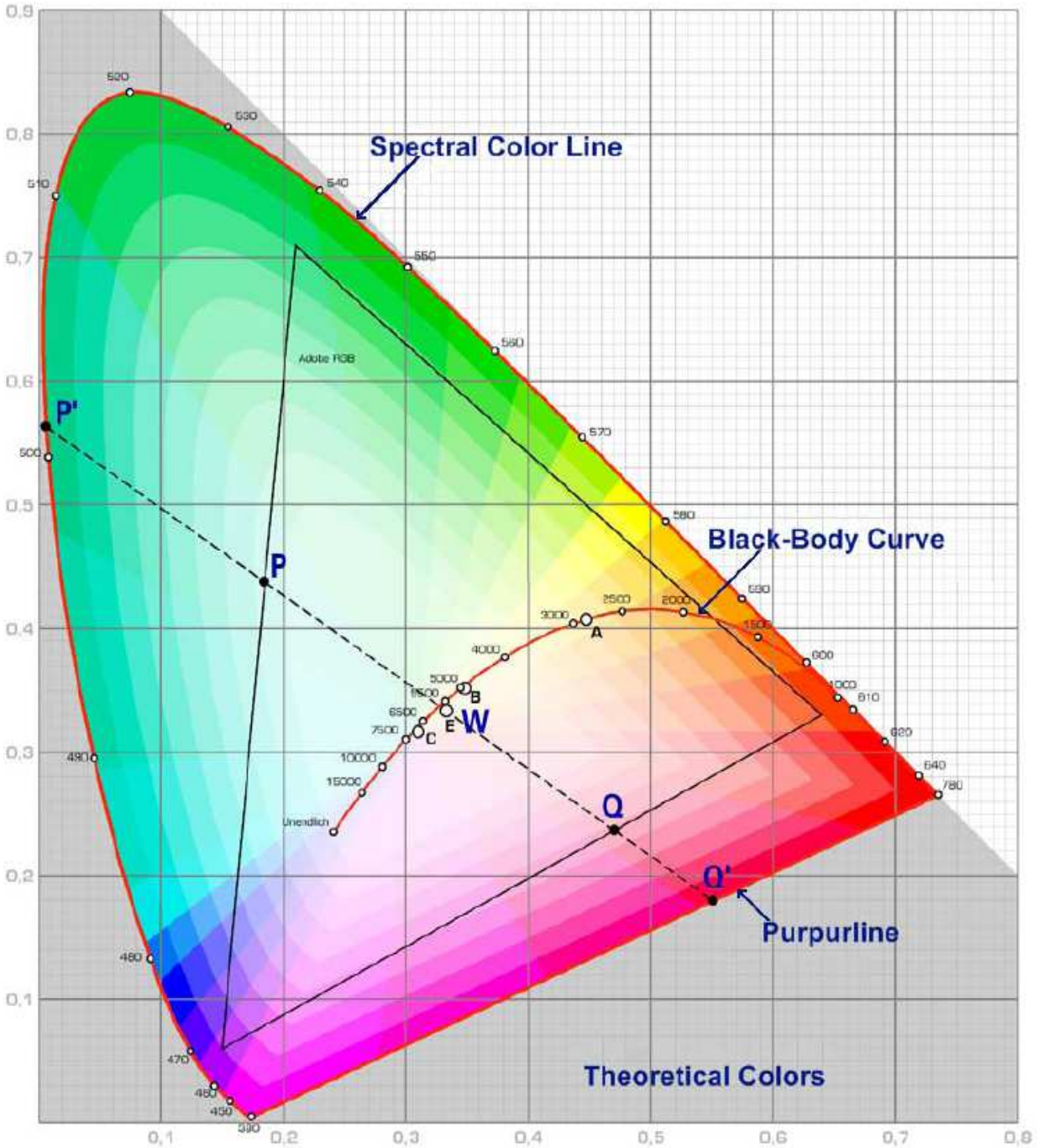
email: [info@edcon-components.com](mailto:info@edcon-components.com)

© by EDCON-COMPONENTS M.Hartmann





Color table curve



5mm LED	Color PREMIUM RED
Part No.:	M13A3026
Customer:	

DRW:	Harry	CHKD	Dustin	MATL	Wilson	TOLERANCE	Mason	DATE 24.07.2009
APPD:	Jason			FINISH	John		Sheet No.	6 from 6

[www.edcon-components.com](http://www.edcon-components.com)

email: [info@edcon-components.com](mailto:info@edcon-components.com)

© by EDCON-COMPONENTS M.Hartmann