



STAR ALLIANCE TECHNOLOGIES Home and Building Applications



FEATURES:

POWER LED 3,8Watt

Base/Socket: MR16 / GU5,3

More than 50.000hrs.

Low heat, no UV or IR light radiation

Homogeneous flood illumination, no halo-ring effect

50lm/watt for white color highest luminous efficiency

optimized heat sink with the right looks and sleek design

4Watt version can achieve directional light output equal to 50Watt halogen lamp

consume 80% less power than halogen lamp

reverse polarity protection

Safety Standard CE and ROHS

1Year limited warranty look at page no. 7

Work with 12V AC/DC lighting systems

STAR ALLIANCE
TECHNOLOGIES Home &
Building Applications

CHKD	Wilson					MATL:	Wilson	24.08.2011
						FINISH	Jamy	
DRW:	Jason		TOLERANCE	Mason	DATE			
APPD:	Schumi				Sheet No. 1 from 6	Part No.:		1210072

Copyright by EDCON COMPONENTS



STAR ALLIANCE TECHNOLOGIES Home and Building Applications

Product Specifications

Light Source:	3x1,2Watt POWER-LED
Optics:	Optical grade lens with aluminium reflector
Lens Diameter:	28mm
Beam Angle:	30°
Total Length:	54mm (included cap)
Weight:	49gr.
Housing:	Mold aluminium with chrome finish, 5cm (2") diameter
Base:	MR16 base
Dimmability:	not dimmable

Environmental Specifications

Temperature Range:	Ambient: -20°C to +40°C
Humidity Range:	0 to 95% non-condensing humidity

Electrical Specifications

Voltage Requirement:	12VAC/DC
Power Consumption:	3,8Watt
Power Factor:	> 0,6

CHKD		Wilson				STAR ALLIANCE TECHNOLOGIES Home & Building Applications			
				MATL:		Wilson		24.08.2011	
				FINISH		Jamy			
DRW:		Jason		TOLERANCE		Mason		DATE	
APPD:		Schumi				Sheet No. 2 from 6		Part No.: 1210072	

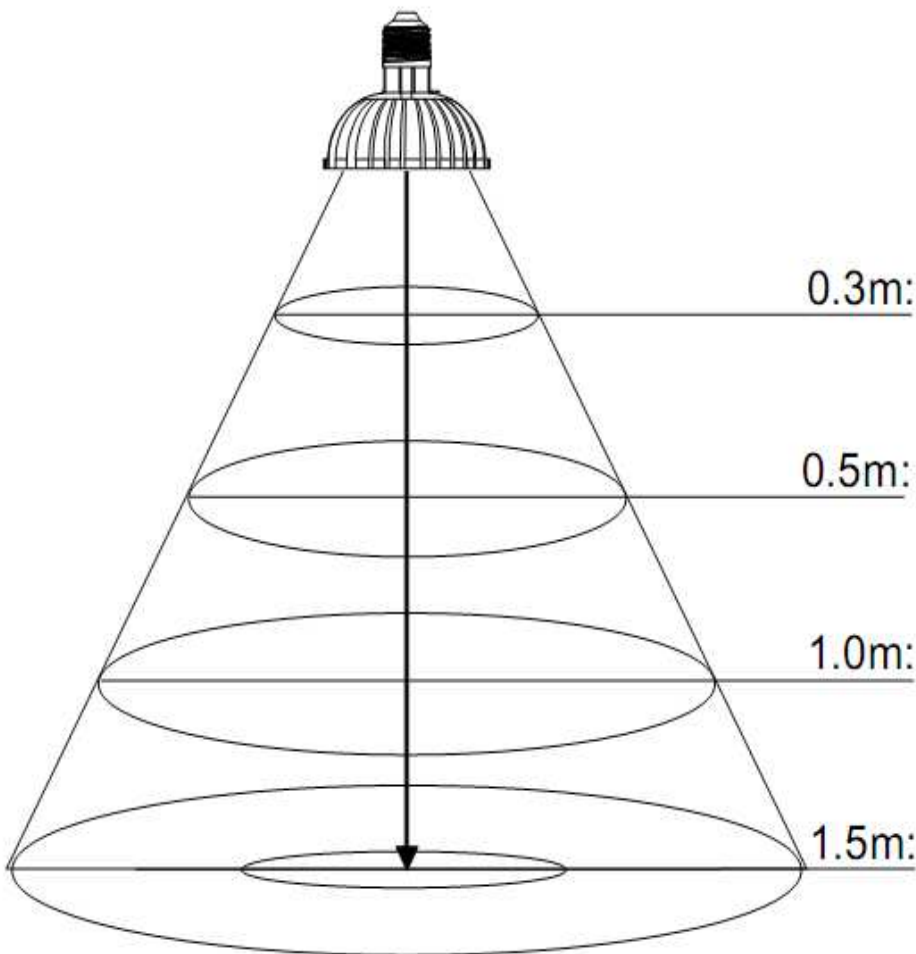
Copyright by EDCON COMPONENTS



STAR ALLIANCE TECHNOLOGIES Home and Building Applications

Illumination Characteristics

T=25°C



The center beam lux is measured with digital Lux Meter (Model TES-1334-A)

STAR ALLIANCE
 TECHNOLOGIES Home &
 Building Applications

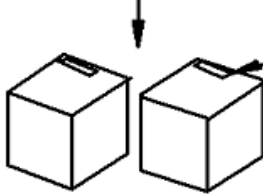
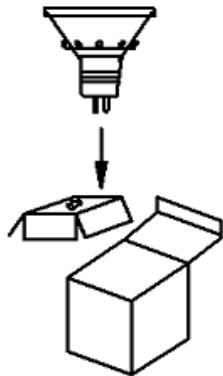
CHKD	Wilson					MATL:	Wilson	24.08.2011		
						FINISH	Jamy			
DRW:	Jason		TOLERANCE	Mason	DATE					
APPD:	Schumi				Sheet No. 3 from 6	Part No.:		1210072		

Copyright by EDCON COMPONENTS

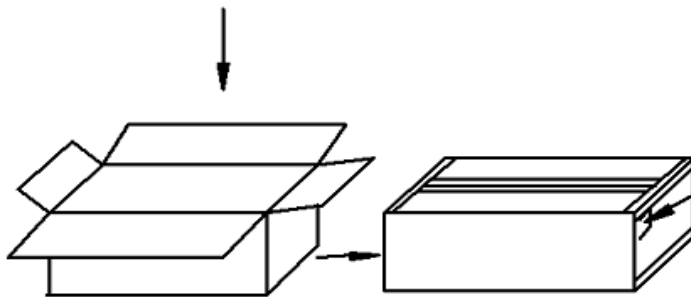


STAR ALLIANCE TECHNOLOGIES Home and Building Applications

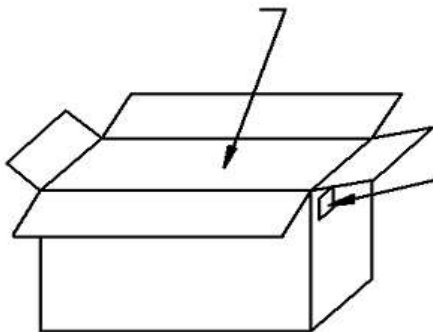
Packing Specifications



Label
(Carton A)
Dim: 5.3cm x 5.3cm x 6.4cm
Weight: 50g



Label
(Carton B) contains 10 carton A
Dim: 26.8cm x 10.8cm x 7.8cm
Weight: 600g



Label
(Carton C)
Dimension and weight vary
depending on total quantity
ordered

STAR ALLIANCE
TECHNOLOGIES Home &
Building Applications

CHKD	Wilson					MATL:	Wilson	24.08.2011
						FINISH	Jamy	
DRW:	Jason		TOLERANCE	Mason	DATE			
APPD:	Schumi			Sheet No. 4 from 6	Part No.:			1210072

Copyright by EDCON COMPONENTS



STAR ALLIANCE TECHNOLOGIES Home and Building Applications

Ordering Informations

Serie	Power	Color Tone	Beam Shape	Voltage		
1210072	4	3000	30	A		
	4= 4 Watt	3000= Warm White 6500= White	30= Angle	A=12V		

Color Code

WW	Warm White	3000K
CW	White	6500K

Flood Model (30° Beam Angle)

	Color	CCT (K)	Operating Voltage	LED Power (W)	Typical Luminous Flux (LM)	Beam Angle
	Warm White	3000K	12VAC/DC	3x 1,2W	230	30°
	White	6500K			270	

STAR ALLIANCE
TECHNOLOGIES Home &
Building Applications

CHKD	Wilson				MATL:	Wilson	24.08.2011
					FINISH	Jamy	
DRW:	Jason		TOLERANCE	Mason	DATE		
APPD:	Schumi			Sheet No. 5 from 6	Part No.:		1210072

Copyright by EDCON COMPONENTS



STAR ALLIANCE TECHNOLOGIES Home and Building Applications

Warranty Description

EDCON WARRANTY

Manufacturer warrants to the Purchaser that each Product manufactured and sold by it will be free from defects in material and workmanship in its intended use (normal wear and tear excepted) for the period of one year from date of Purchaser's purchase (the invoice date) from Manufacturer. Manufacturer's warranty flows only to Purchaser. If any Product covered by this warranty is returned by Purchaser in accordance with Manufacturer's Products Return Policy, including without limitation its return authorization provisions, within the applicable warranty period set forth above, and upon examination Manufacturer determines to its satisfaction that such Product was defective in material or workmanship at the time of delivery to the Purchaser, Manufacturer will, at its option, repair or replace the Product or the defective part thereof, or reimburse Purchaser for the purchase price. For purposes of clarity, "repair or replace the Product or the defective part thereof" does not include any reinstallation costs or expenses. If Manufacturer chooses to replace the Product and is not able to do so because it has been discontinued or is not available, Manufacturer may replace it with a comparable product. The Products Return Policy is posted on Manufacturer's Internet web site at <http://www.edcon-components.com>. The foregoing notwithstanding, Manufacturer will not be responsible for damage to any Product resulting from misuse, negligence, acts of God or accident or resulting from repairs or alterations made by any person or firm not duly authorized by Manufacturer in writing. Purchaser shall convey with each Product distributed to end users the MANUFACTURERS WARRANTY included by Manufacturer with such Product, and, if Manufacturer determines that the appropriate remedy for a defective product is refund of Purchaser's purchase price, Purchaser shall refund to the end user (or arrange for the refund to the end user of) the full purchase price paid by the end user for such defective Product. The Products Return Policy is posted on Manufacturer's Internet web site at <http://www.edcon-components.com>. The foregoing notwithstanding, Manufacturer will not be responsible for damage to any Product resulting from misuse, negligence, acts of God or accident or resulting from repairs or alterations made by any person or firm not duly authorized by Manufacturer in writing. Purchaser shall convey with each Product distributed to end users the MANUFACTURERS WARRANTY included by Manufacturer with such Product, and, if Manufacturer determines that the appropriate remedy for a defective product is refund of Purchaser's purchase price, Purchaser shall refund to the end user (or arrange for the refund to the end user of) the full purchase price paid by the end user for such defective Product.

THIRD PARTY WARRANTIES

With respect to products sold to the Purchaser by Manufacturer but not manufactured by Manufacturer, MANUFACTURER MAKES NO WARRANTY OF ANY KIND, EXPRESS OR IMPLIED, INCLUDING, WITHOUT LIMITATION; ANY WARRANTY OF MERCHANTABILITY OR FITNESS FOR A PARTICULAR PURPOSE, but will make available to the Purchaser, to the extent permitted by law and relevant contracts, the warranties of manufacturer of the relevant product upon the Purchaser's timely written request. NON-IMPLIED WARRANTIES

NON-IMPLIED WARRANTIES

THE WARRANTIES GIVEN IN THESE ARE THE ONLY WARRANTIES GIVEN BY THE MANUFACTURER WITH RESPECT TO THE PRODUCTS AND ARE GIVEN IN LIEU OF ALL OTHER WARRANTIES OR IMPLIED, INCLUDING, BUT NOT LIMITED TO, WARRANTIES OF MERCHANTABILITY, OF NON-INFRINGEMENT AND OF FITNESS FOR A PARTICULAR PURPOSE. PURCHASER'S EXCLUSIVE REMEDIES, AND MANUFACTURER'S SOLE LIABILITY, FOR ANY NONCONFORMITY OR DEFECT IN ANY PRODUCT SHALL BE THOSE EXPRESSED HEREIN. LIMITATION OF LIABILITY

LIMITATION OF LIABILITY

An essential purpose of the limited exclusive liabilities and remedies in this Agreement is allocation of risks between Manufacturer and Purchaser, which allocation of risks is reflected in the purchase price for the Products. UNDER NO CIRCUMSTANCES SHALL MANUFACTURER'S LIABILITY ARISING OUT OF OR IN CONNECTION WITH THIS AGREEMENT OR MANUFACTURER'S PERFORMANCE OR ASSERTED FAILURE TO PERFORM HEREUNDER, IN CONTRACT, TORT (INCLUDING NEGLIGENCE) OR OTHERWISE, EXCEED THE PURCHASE PRICE OF THE PRODUCT TO WHICH SUCH LIABILITY RELATES. IN NO EVENT SHALL MANUFACTURER BE LIABLE FOR SPECIAL, INCIDENTAL OR CONSEQUENTIAL DAMAGES, INCLUDING, WITHOUT LIMITATION, DAMAGES RESULTING FROM LOSS OF USE, PROFITS, BUSINESS OR GOODWILL, WHETHER OR NOT MANUFACTURER HAS BEEN ADVISED OF THE POSSIBILITY THEREOF.

STAR ALLIANCE
TECHNOLOGIES Home &
Building Applications

CHKD	Wilson					MATL:	Wilson	24.08.2011
						FINISH	Jamy	
DRW:	Jason		TOLERANCE	Mason	DATE			
APPD:	Schumi				Sheet No. 6 from 6	Part No.:		1210072

Copyright by EDCON COMPONENTS