

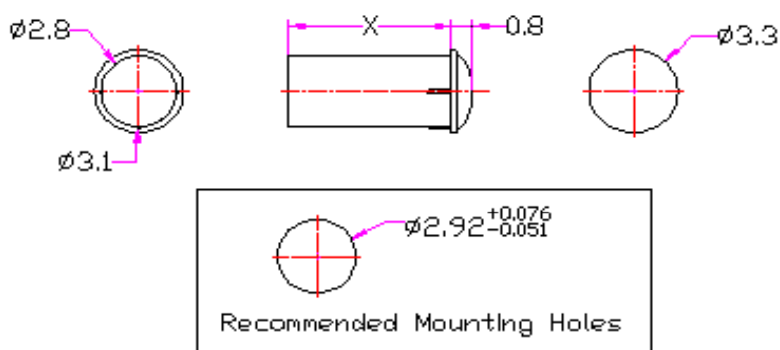


### Technical Specification

Material:	PC-VO
Color:	Limpidity (Clear)

### Dimensions

Order Code	X (mm)	Order Code	X (mm)
A01	3,18		
A02	5,46		
A03	6,35		
A04	8,89		
A05	9,52		
A06	12,70		
A07	15,88		
A08	19,05		
A09	25,40		
A10	30,48		
A11	14,30		
A12			
A13			
A14			
A15			
A16			



### Ordering Information

Serie	Type	ROHS	Packing			
<b>N24008</b>	<b>Axx</b>	<b>R</b>	<b>BU</b>			

**Axx look  
 Order Code  
 Table**

<b>Light Pipe for PCB</b>	
Part No.:	<b>N24008</b>
Customer:	

DRW:	Jason	CHKD	Jules	MATL:	Wu	DATE	08.02.2019
APPD:	Join			FINISH	Shieh	Sheet	1 from 1