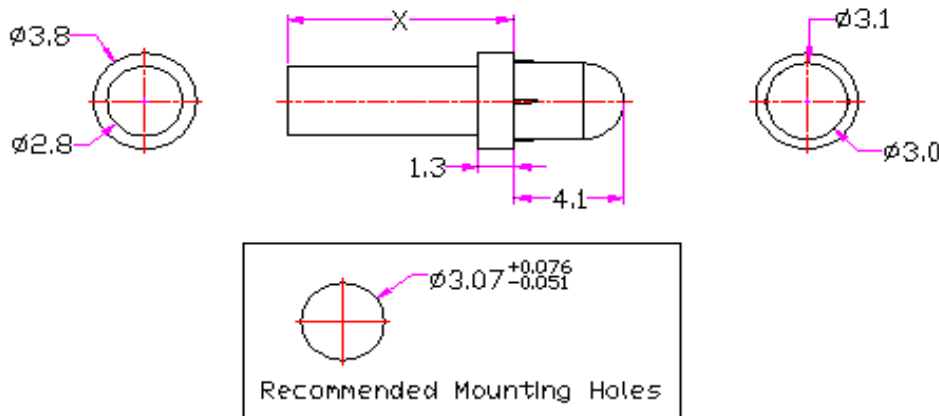


**Technical Specification**

Material:	PC-VO
Color:	Limpidity (Clear)

**Dimensions**

Order Code	X (mm)	Order Code	X (mm)
A01	3,2		
A02	4,4		
A03	5,1		
A04	5,5		
A05	6,4		
A06	7,9		
A07	8,9		
A08	9,5		
A09	11,7		
A10	12,7		
A11	14,3		
A12	15,9		
A13	18,0		
A14	19,0		
A15			
A16			



**Ordering Information**

Serie	Type	ROHS	Packing			
N24007	Axx	R	BU			

Axx look  
 Order Code  
 Table

**Light Pipe for PCB**

Part No.: **N24007**

Customer:

DRW:	Jason	CHKD	Jules	MATL:	Wu	DATE	08.02.2019
APPD:	Join			FINISH	Shieh	Sheet	1 from 1