

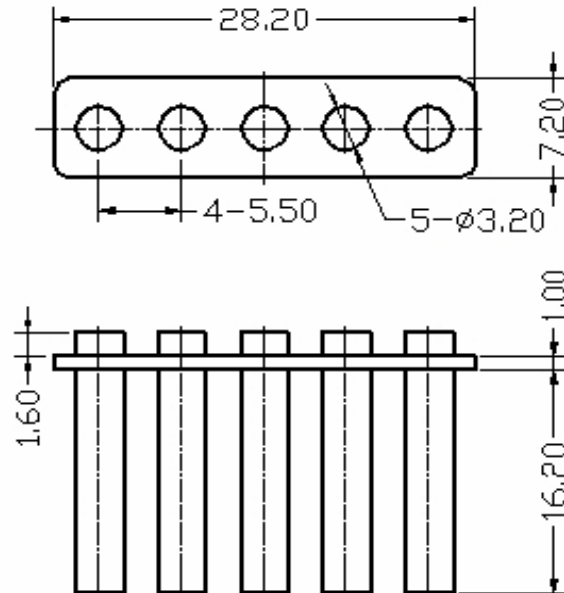


Technical Specification

Material: PC
 Color: Clear

Dimensions

Order Code A Y
 16,20mm



Ordering Information

Serie	Type	ROHS	Packing			
N24004	A	R	BU			
	A					

Light Pipe for PCB	
Part No.:	N24004
Customer:	

DRW:	Jason	CHKD	Jules	MATL:	Wu	DATE	06.06.2007
APPD:	Join			FINISH	Shieh	Sheet	1 from 1