

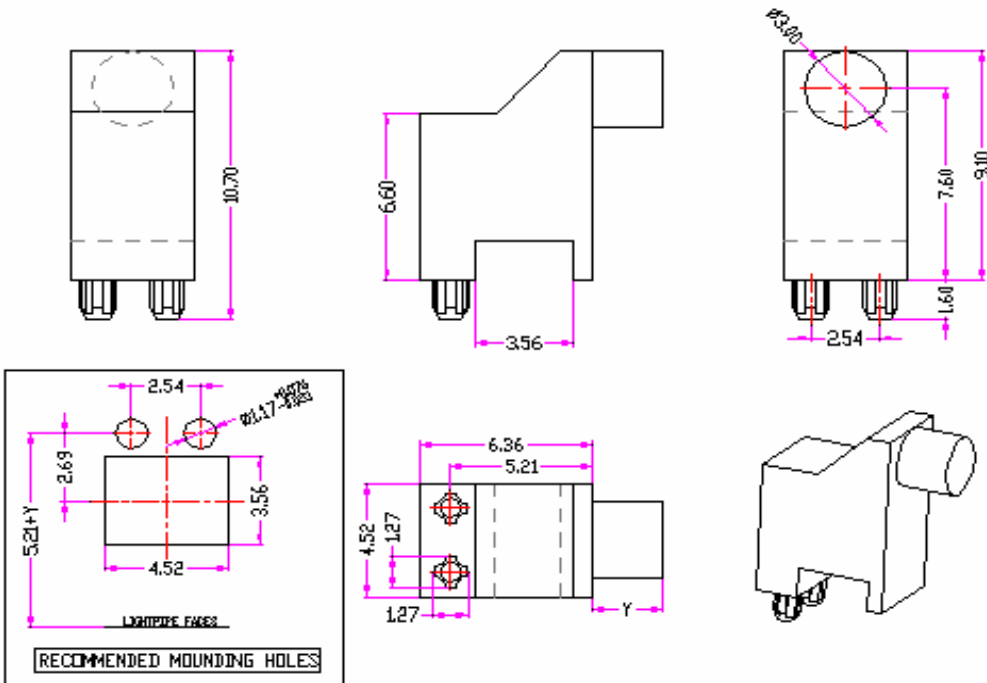


Technical Specification

Material: PC-VO
 Color: Limpidity (Clear)

Dimensions

Order Code Y
 A 2,54mm
 B 6,35mm
 C 11,43mm



Serie	Type	ROHS	Packing			
N24003	A	R	BU			
	A					
	B					
	C					

Light Pipe for PCB	
Part No.:	N24003
Customer:	

DRW:	Jason	CHKD	Jules	MATL:	Wu	DATE	06.06.2007
APPD:	Join			FINISH	Shieh	Sheet	1 from 1