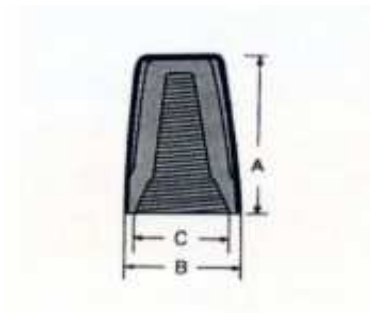




Technical Specification

Wire Size:	AWG22-10
Voltage:	600V
Temperature:	105°C (221°F)
Ampere:	24A / 450V
Material cover:	High Quality PVC UL94V-2
Dimension A	24,5mm
Dimension B	14,0mm
Dimension C	11mm



Approvals



Ordering Information

Serie	Color	ROHS	Packing			
-------	-------	------	---------	--	--	--

A19004	YE	R	B1			
---------------	-----------	----------	-----------	--	--	--

YE=Yellow	N= non ROHS	B1= Bulk-Ware 100PCS	
	R= ROHS		
		B5= Bulk-Ware 500PCS	
		B10= Bulk-Ware 1000PCS	

Push - In- Wire Connector	
Part No.:	A19004
Customer:	

DRW:	Jason	CHKD	Wilson	MATL:	Wilson	DATE	06.06.2008
APPD:	Schumi			FINISH	Jamy	Sheet	1 from 1